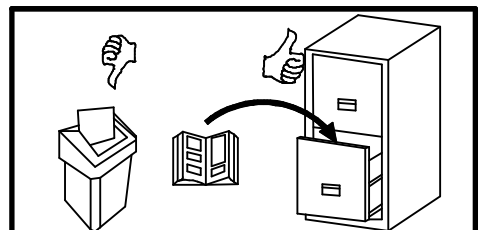
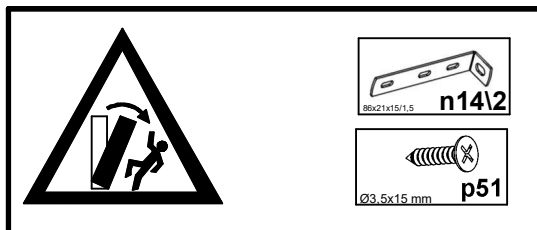
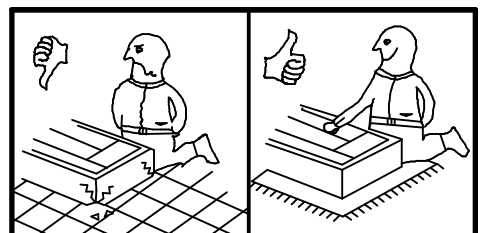
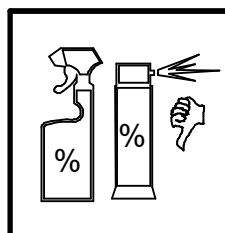
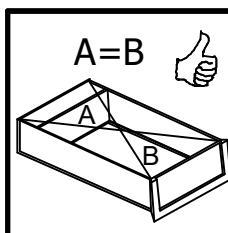
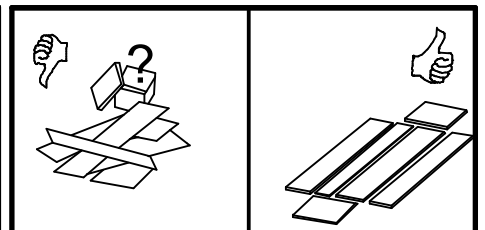
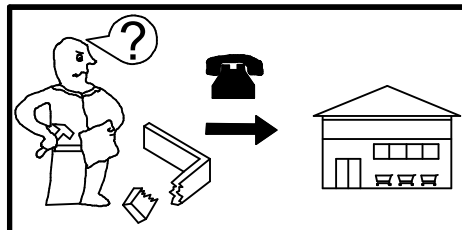
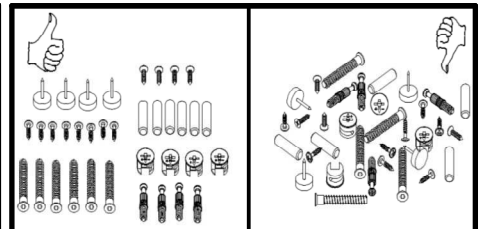
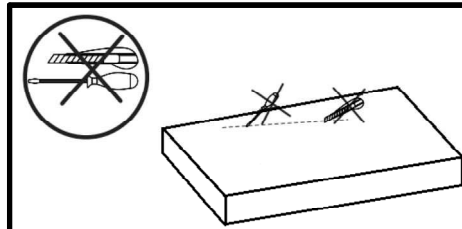
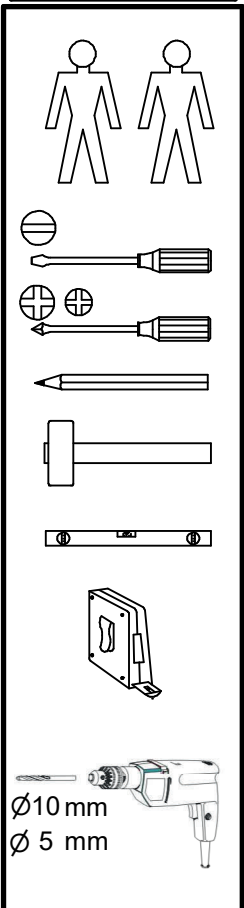
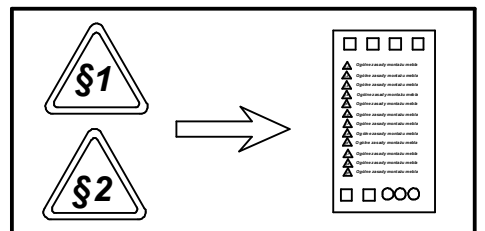
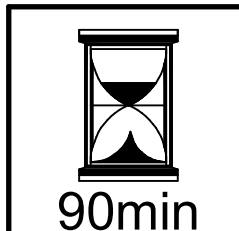
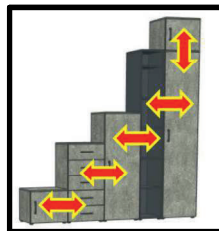
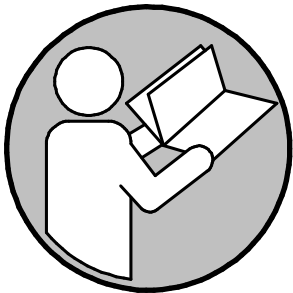
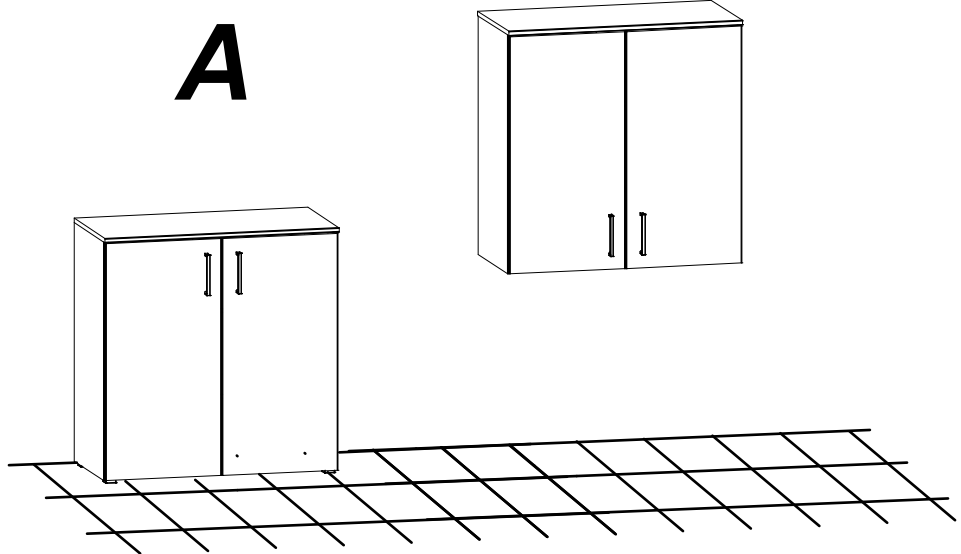
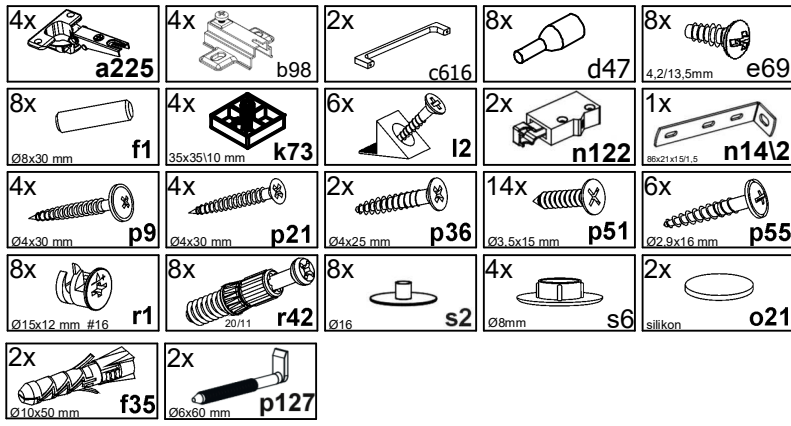


134501930...
2427019.../24
2427020.../24
5107381
5107383
5107382
5107384

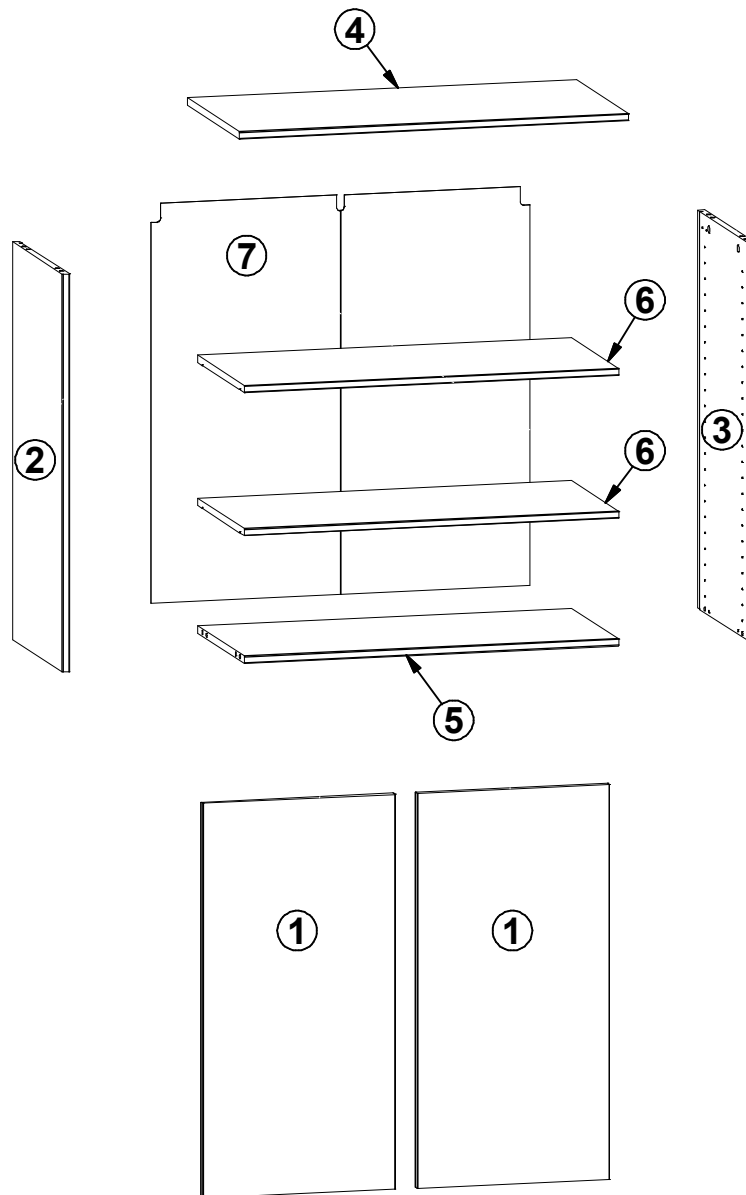
B

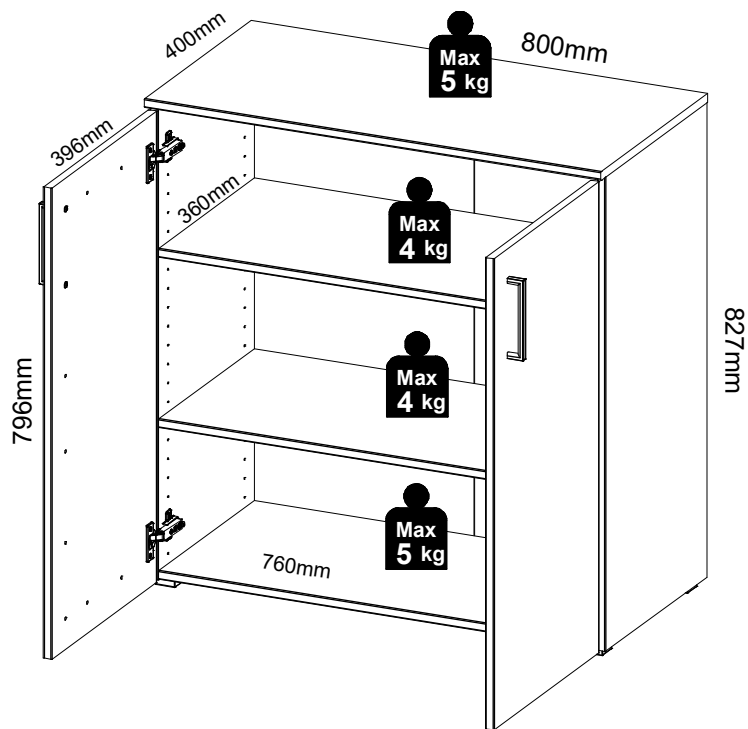
A

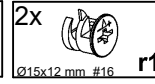
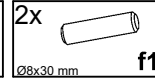
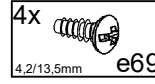
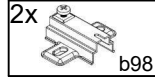
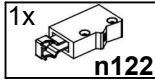
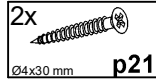
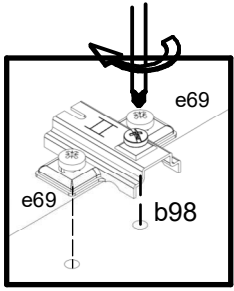




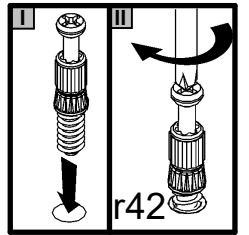
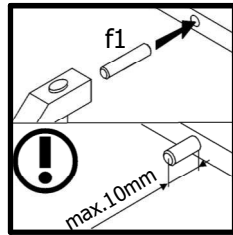
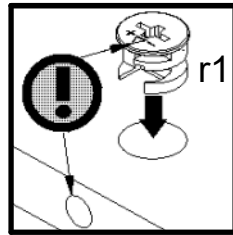
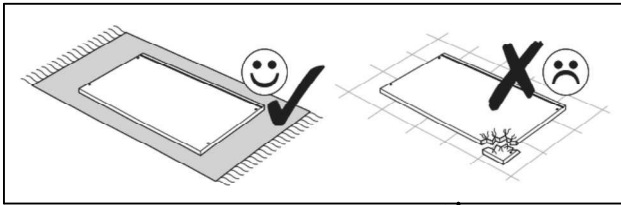
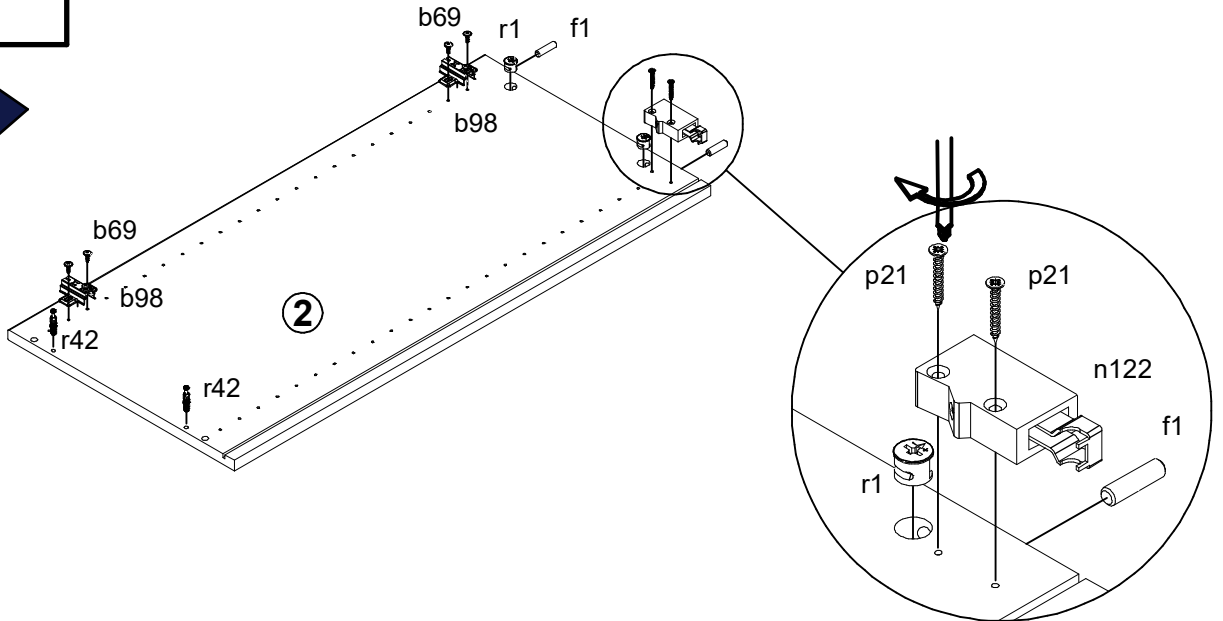
A	B1	B2	C1	C2	C3	D
1	S588-0008	-4	796	396	15	1/1
2	S588-1003	-6	802	382	15	1/1
3	S588-1004	-6	802	382	15	1/1
4	S588-2003	-4	800	400	15	1/1
5	S588-3005	-2	769	360	15	1/1
6	S588-3006	-1	769	360	15	1/1
7	S588-9302	-3	805	779	2,5	1/1



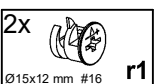
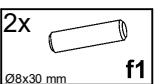
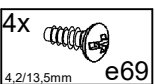
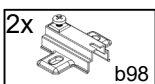
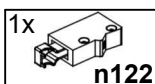
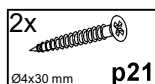
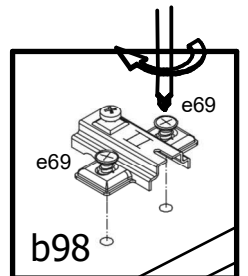
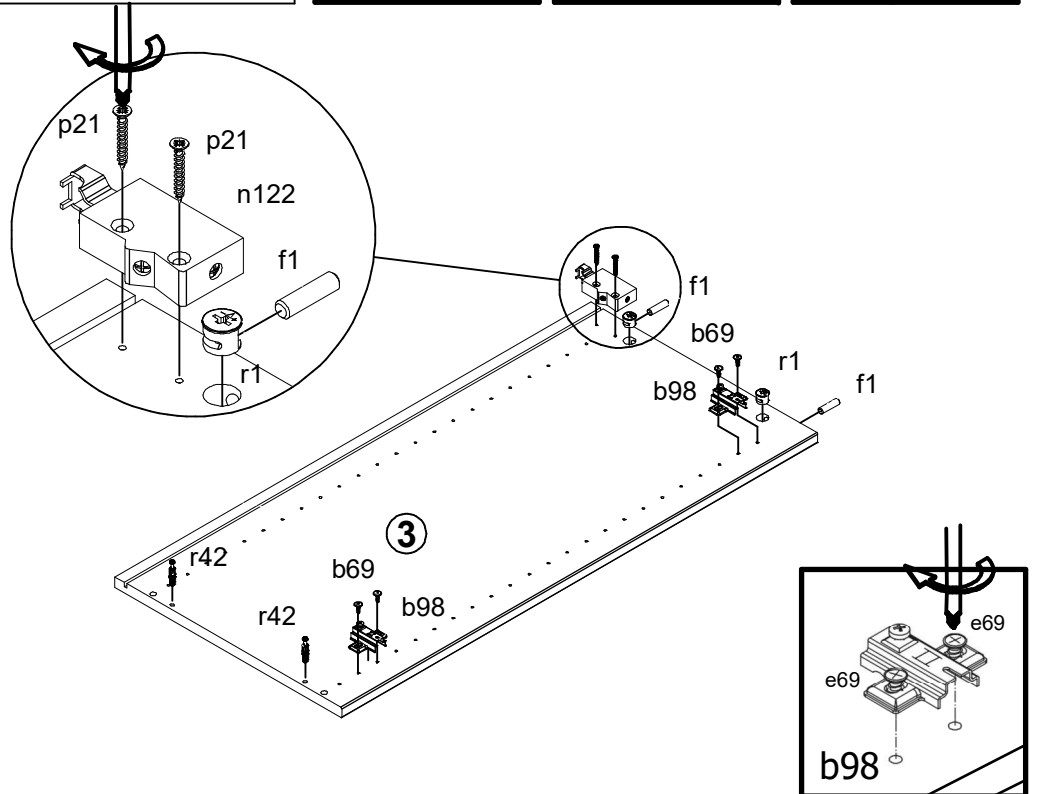


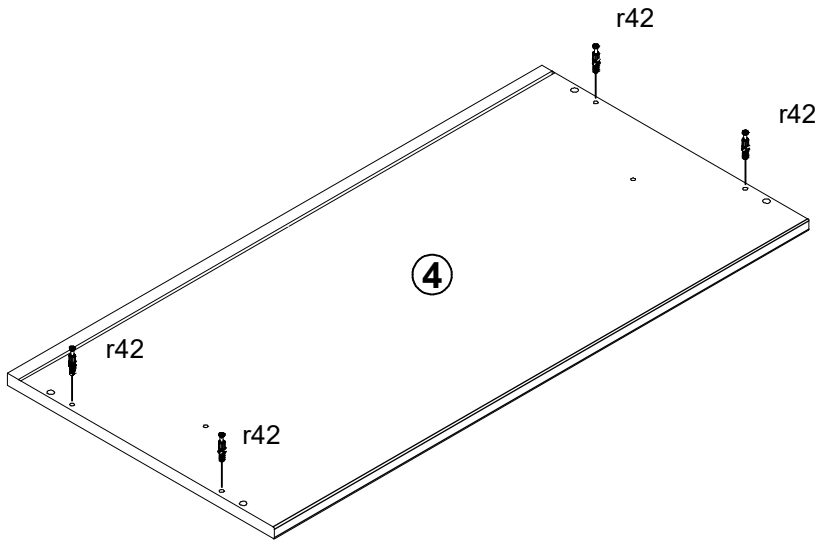


1 ▶

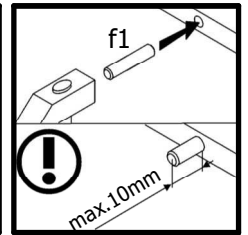
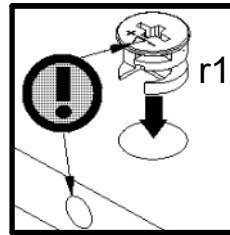
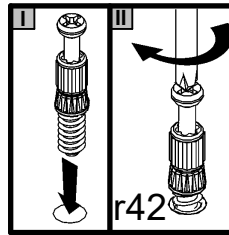
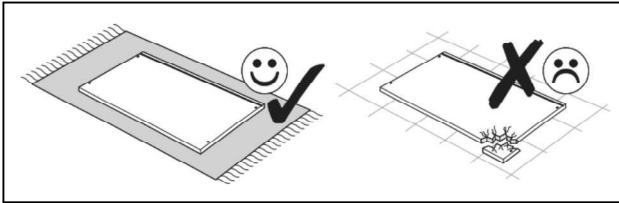


2 ▶

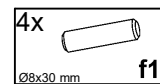
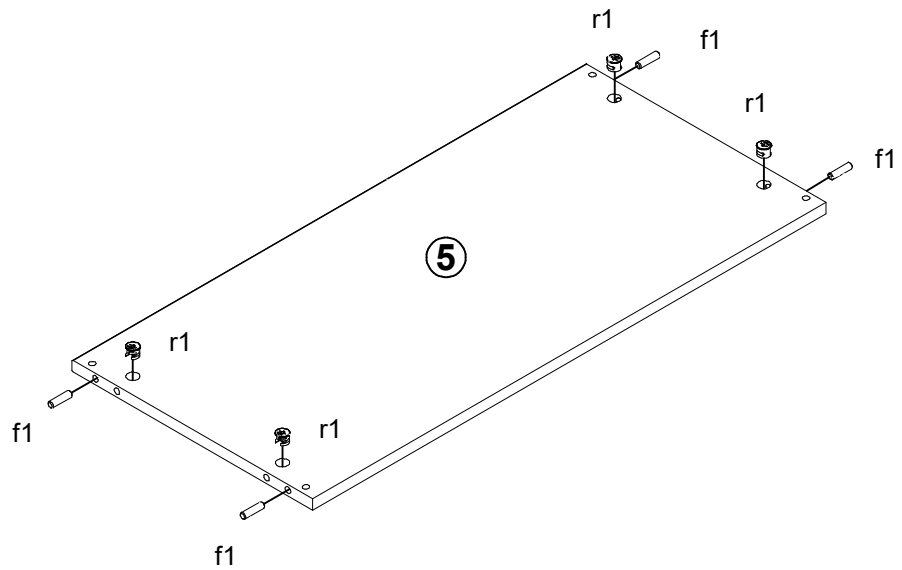


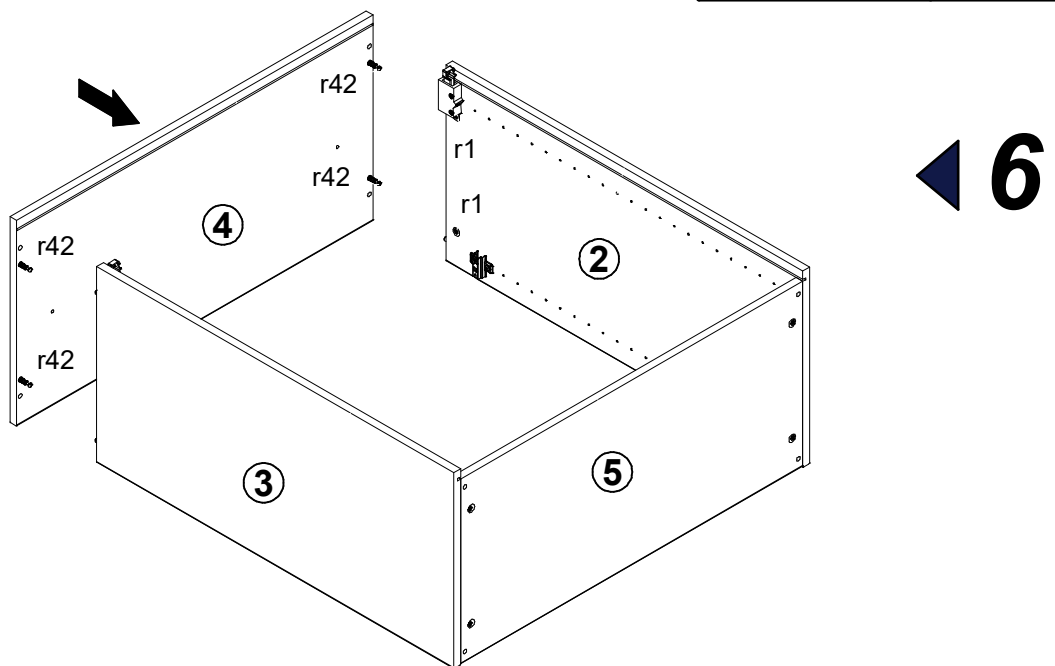
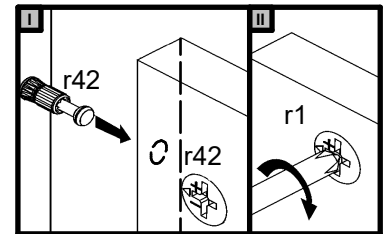
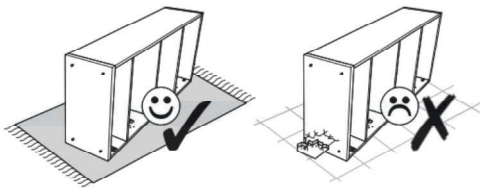
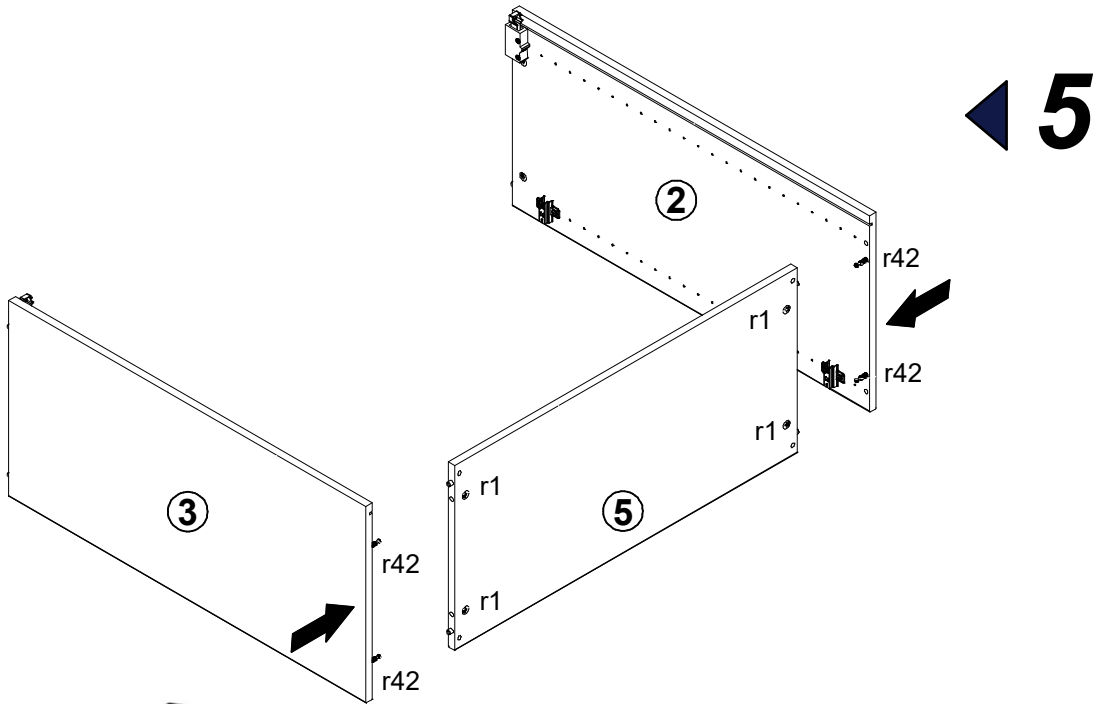


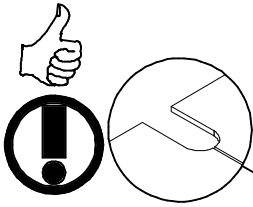
3



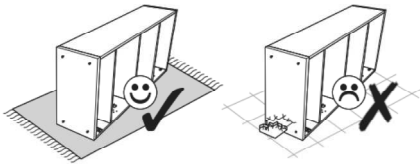
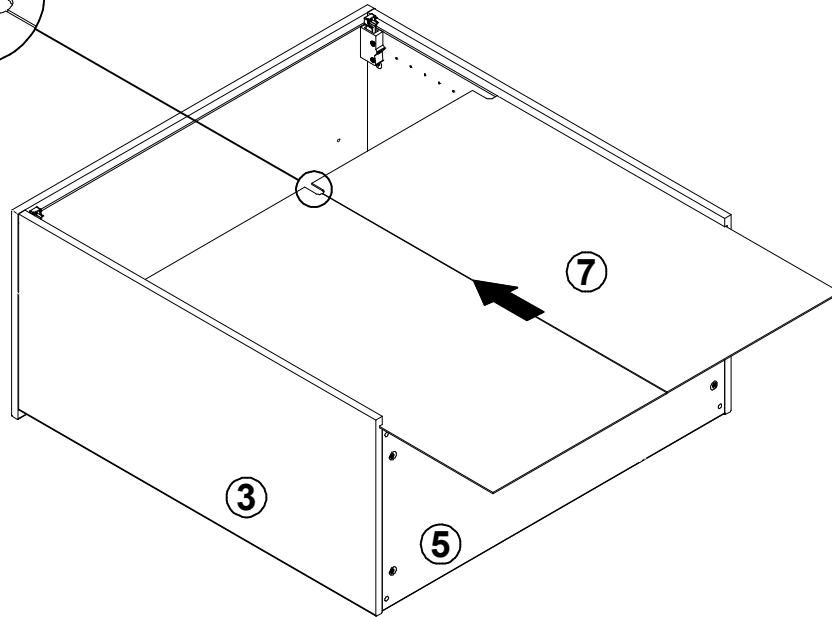
4



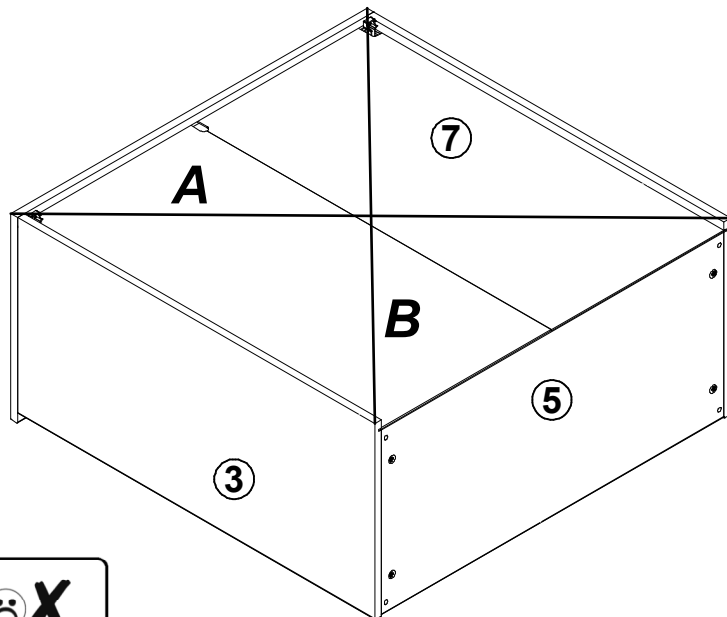




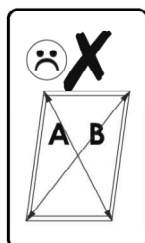
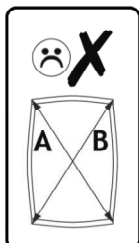
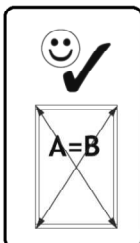
7



8

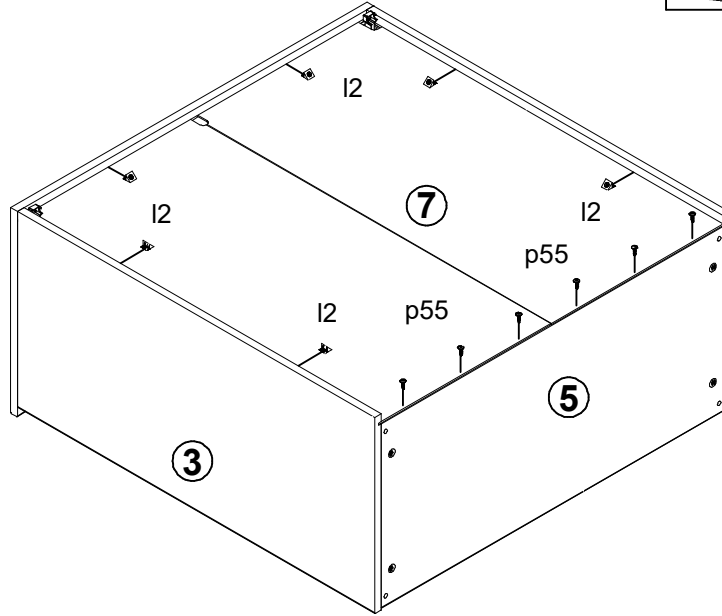
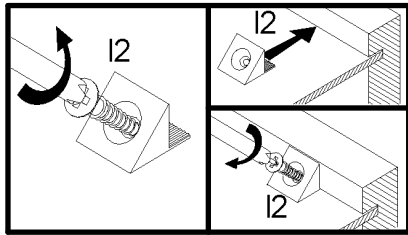
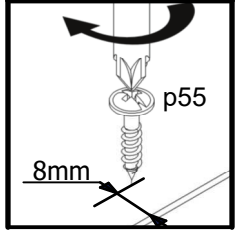


! A=B

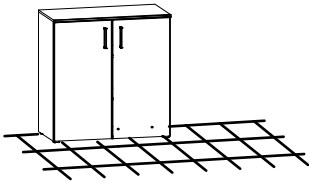




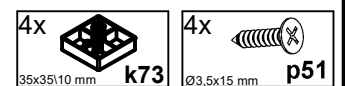
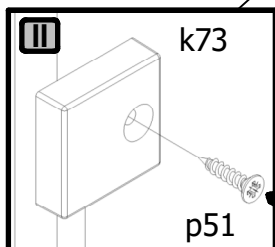
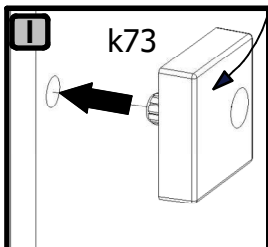
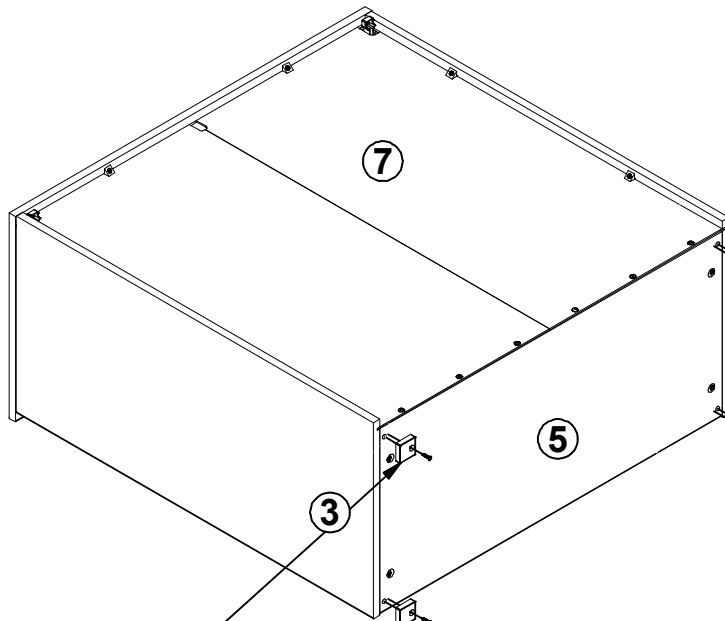
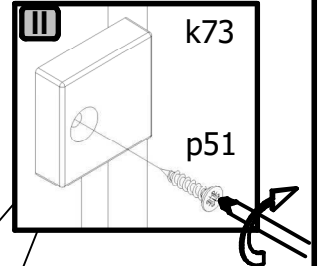
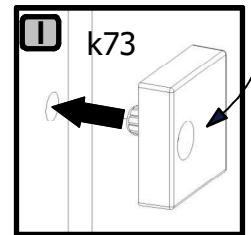
9 ▶



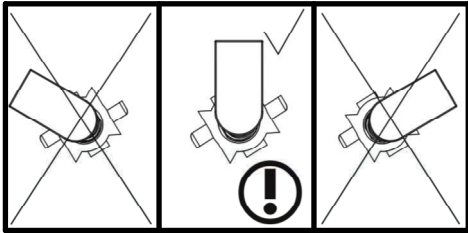
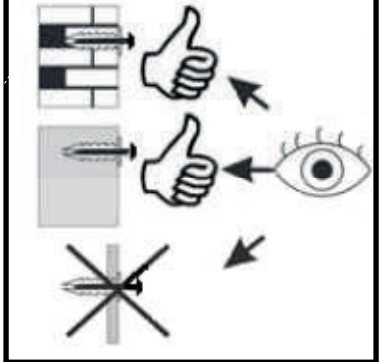
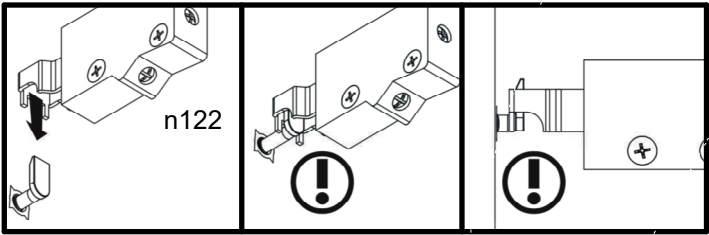
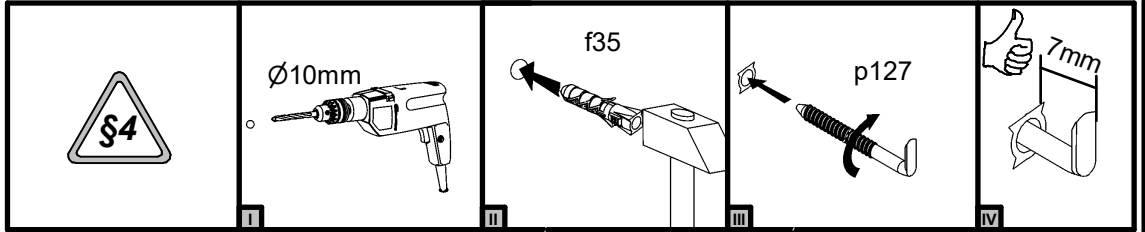
A !



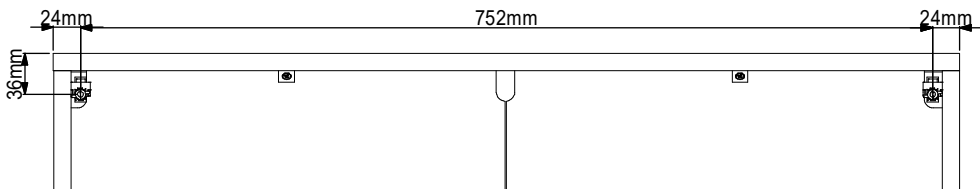
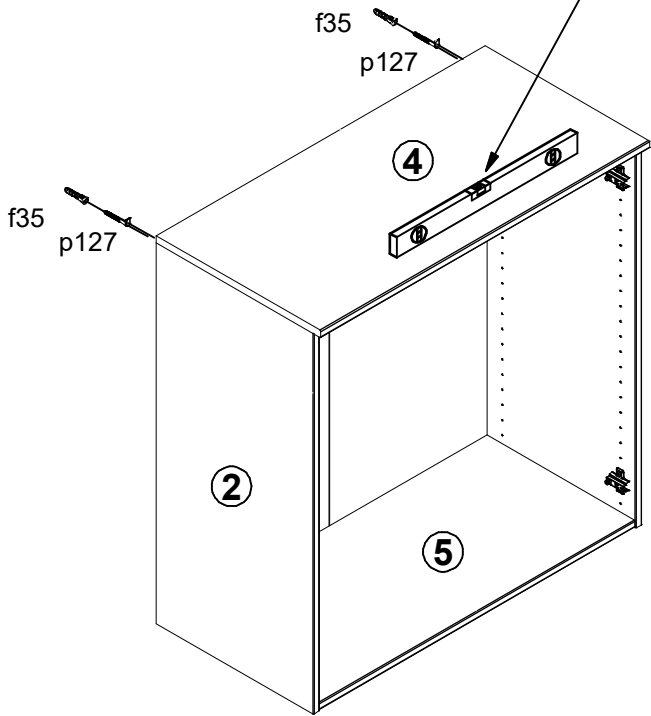
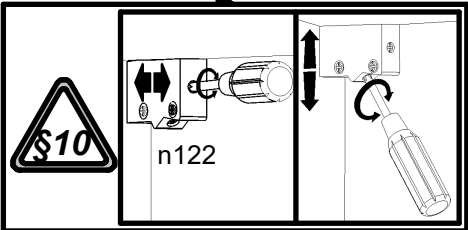
10 ▶



! **B**



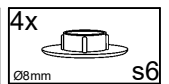
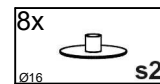
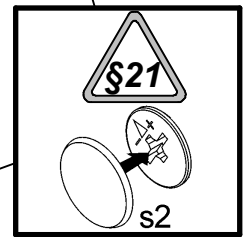
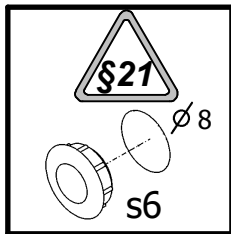
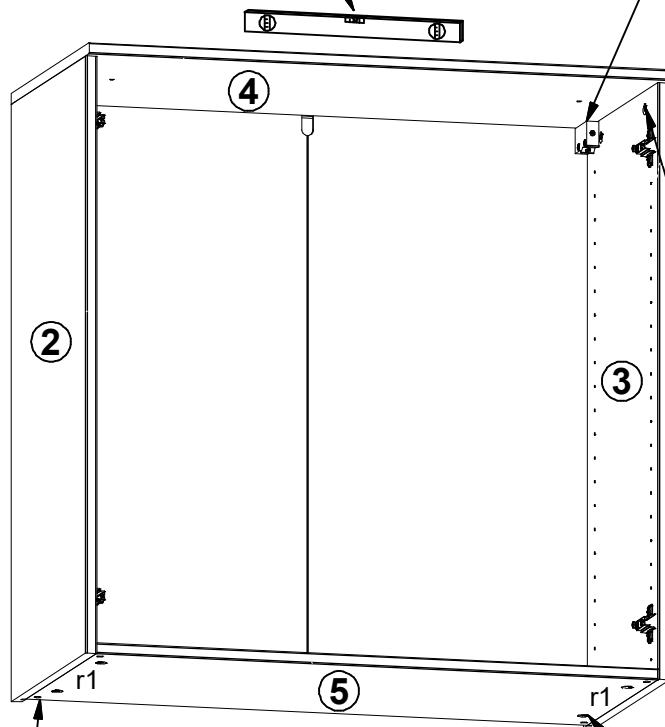
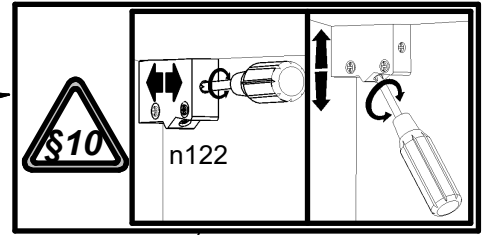
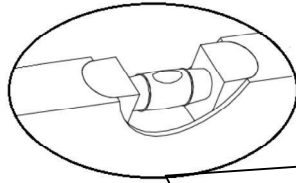
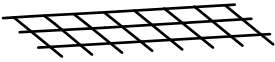
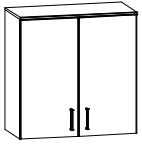
10

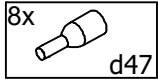


- 2x p127
Ø6x60 mm
- 2x f35
Ø10x50 mm

! **B**

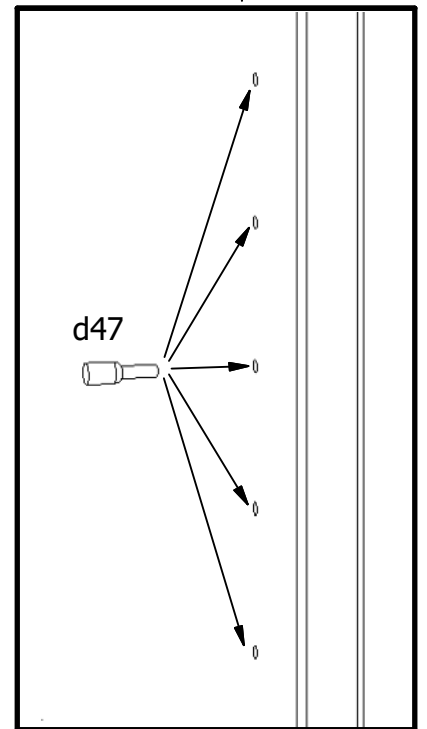
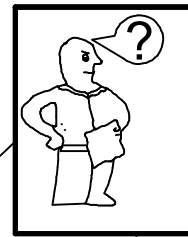
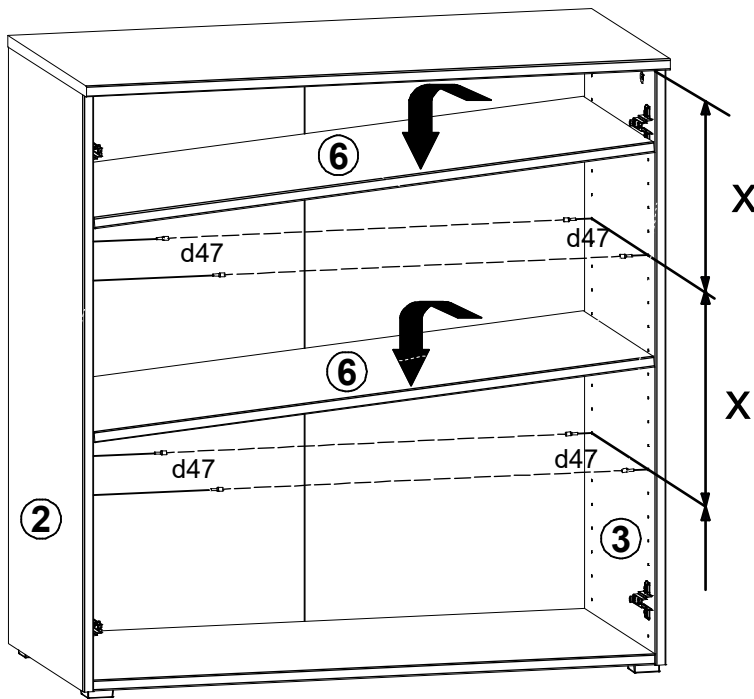
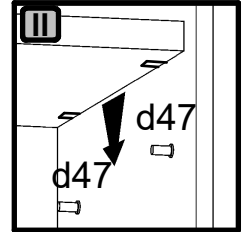
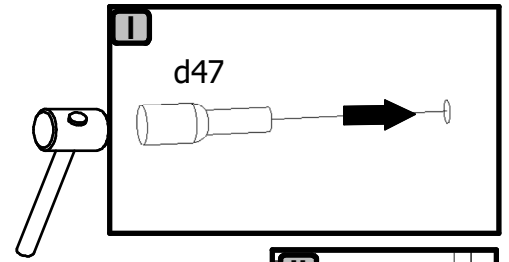
11

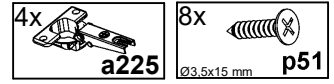
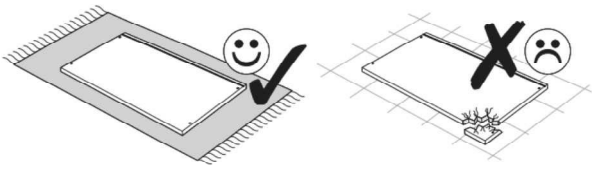




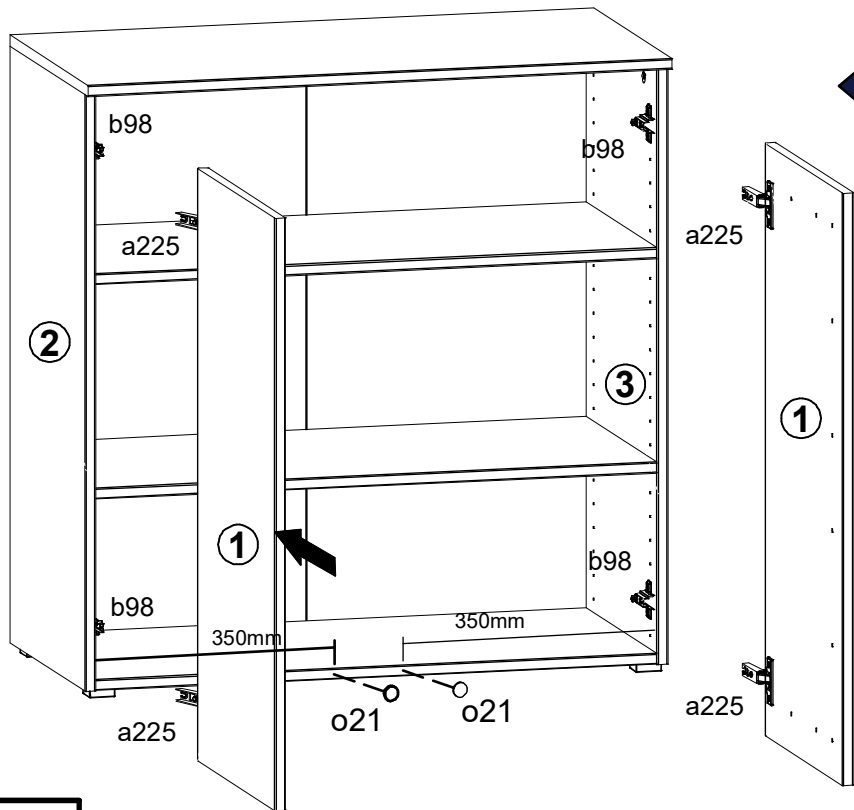
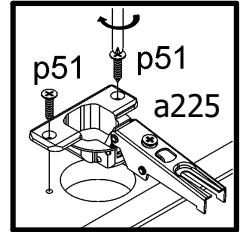
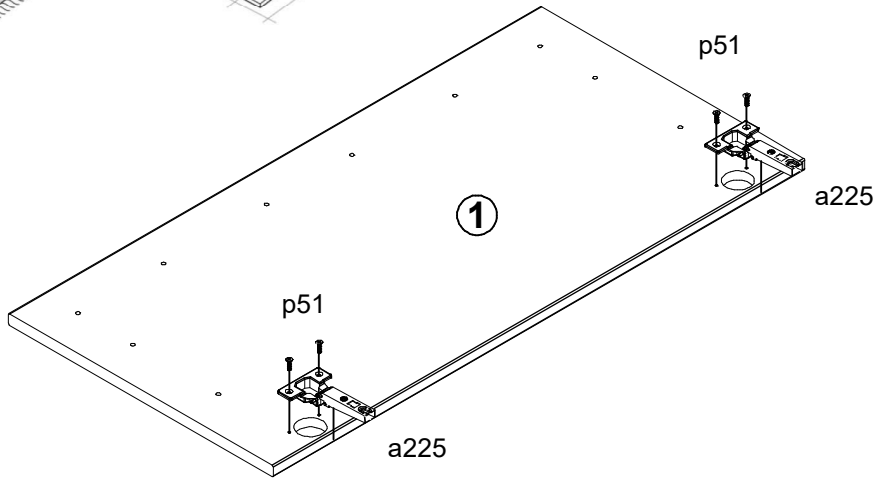
AB

12

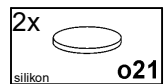
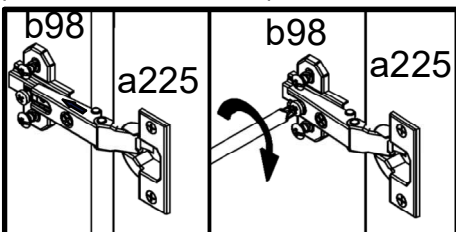
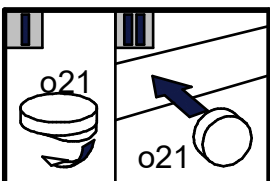




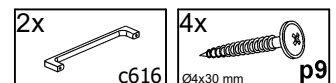
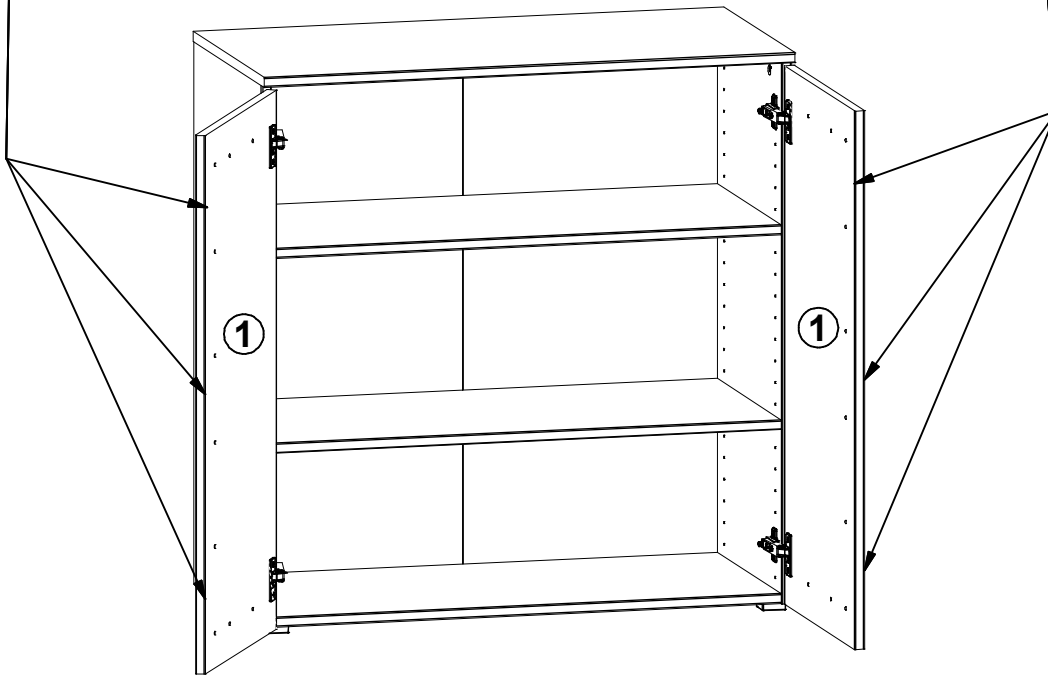
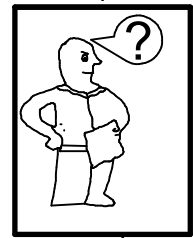
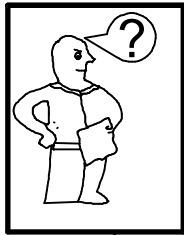
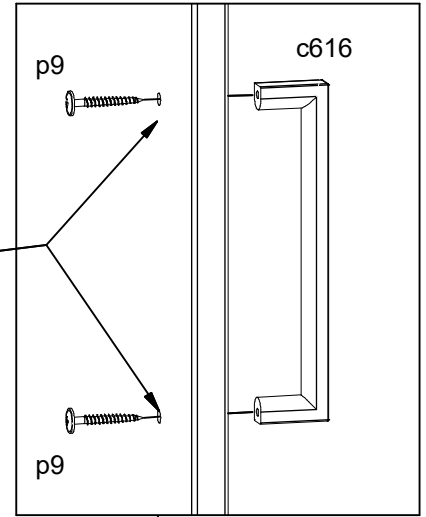
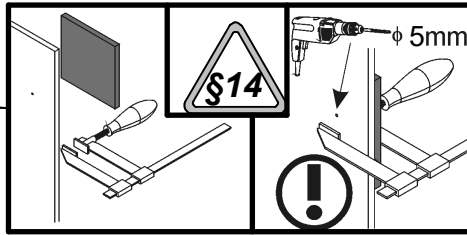
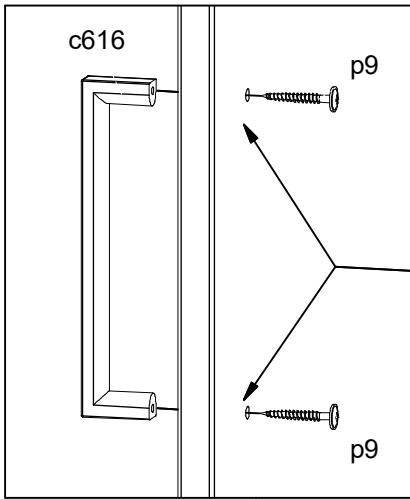
13 ▶
2x

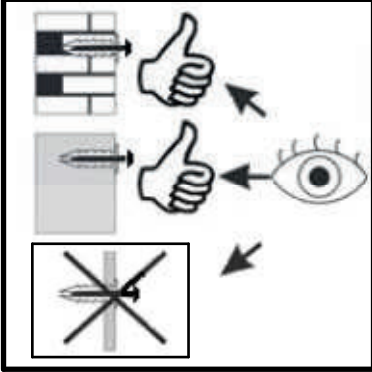
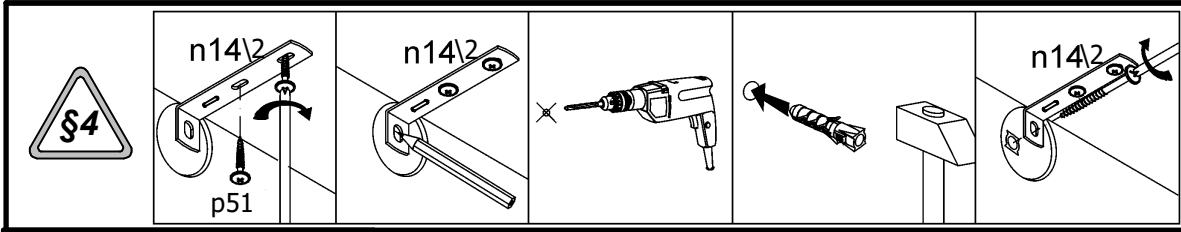


◀ **14**



15





16

A

