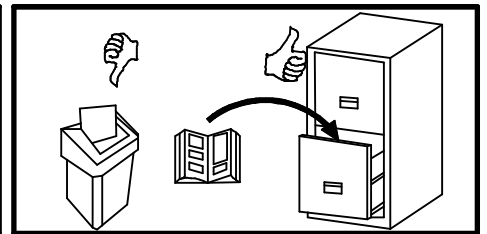
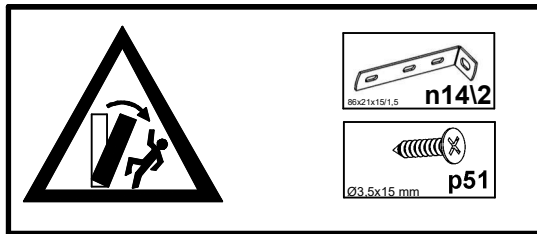
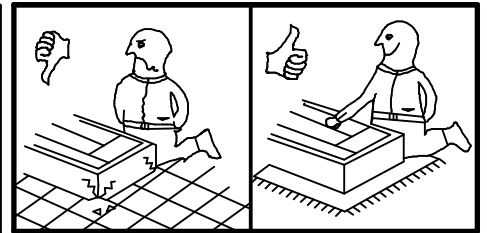
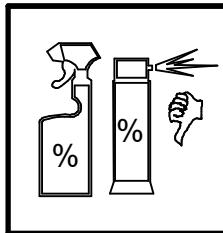
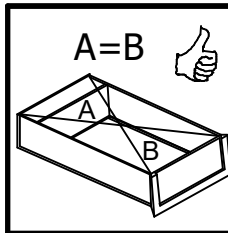
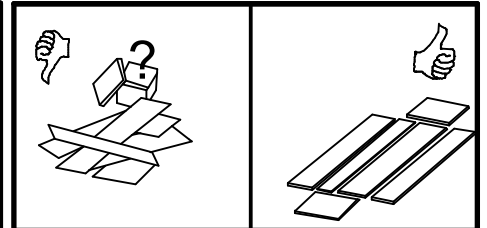
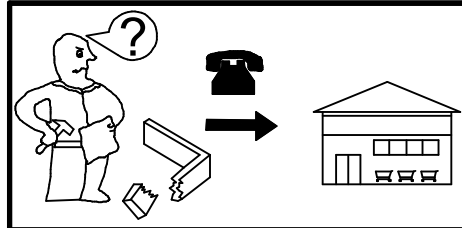
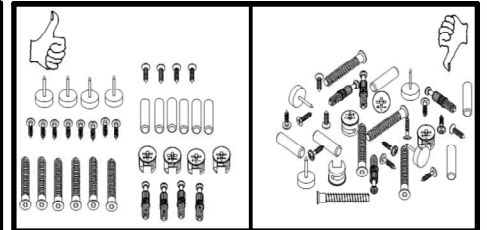
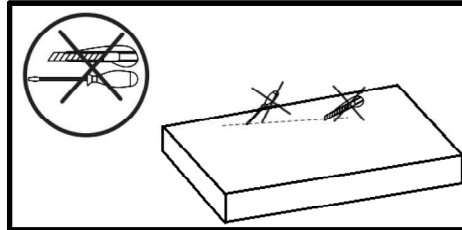
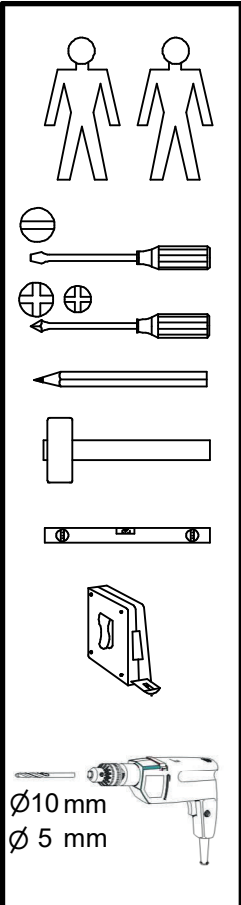
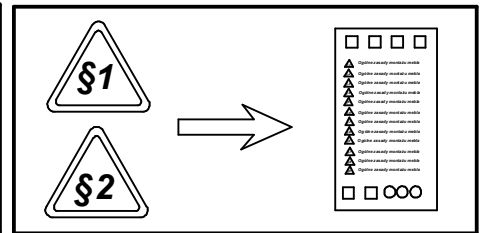
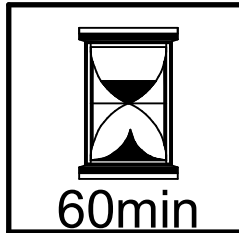
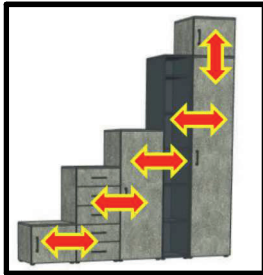
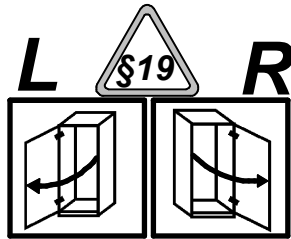
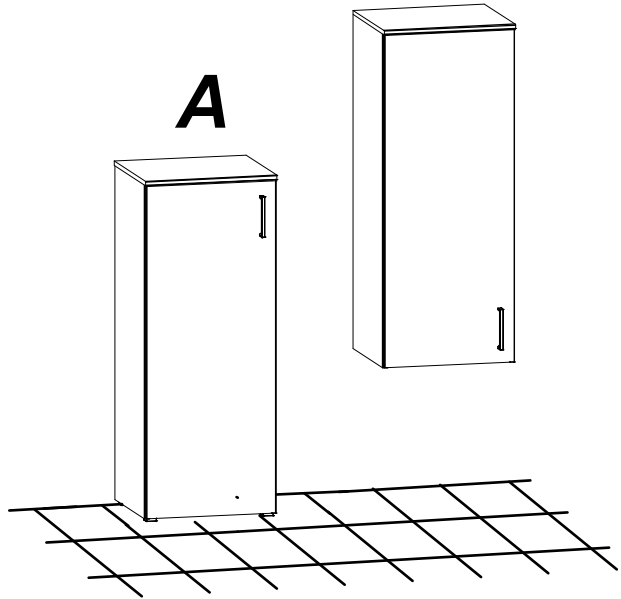
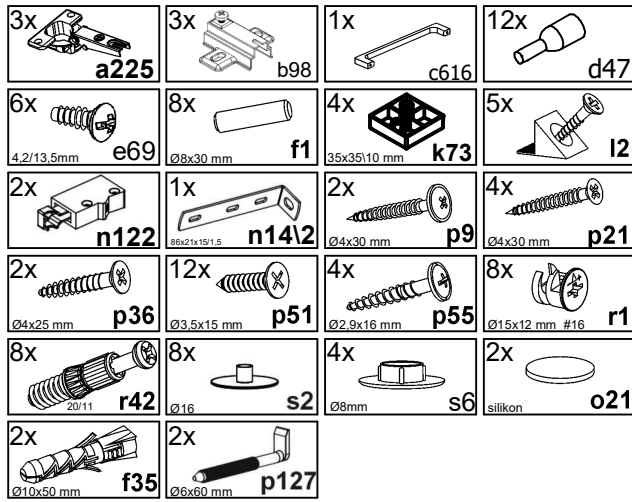


134501900...  
 2427019.../16  
 2427020.../16  
 5107374  
 5107376  
 5107375  
 5107113

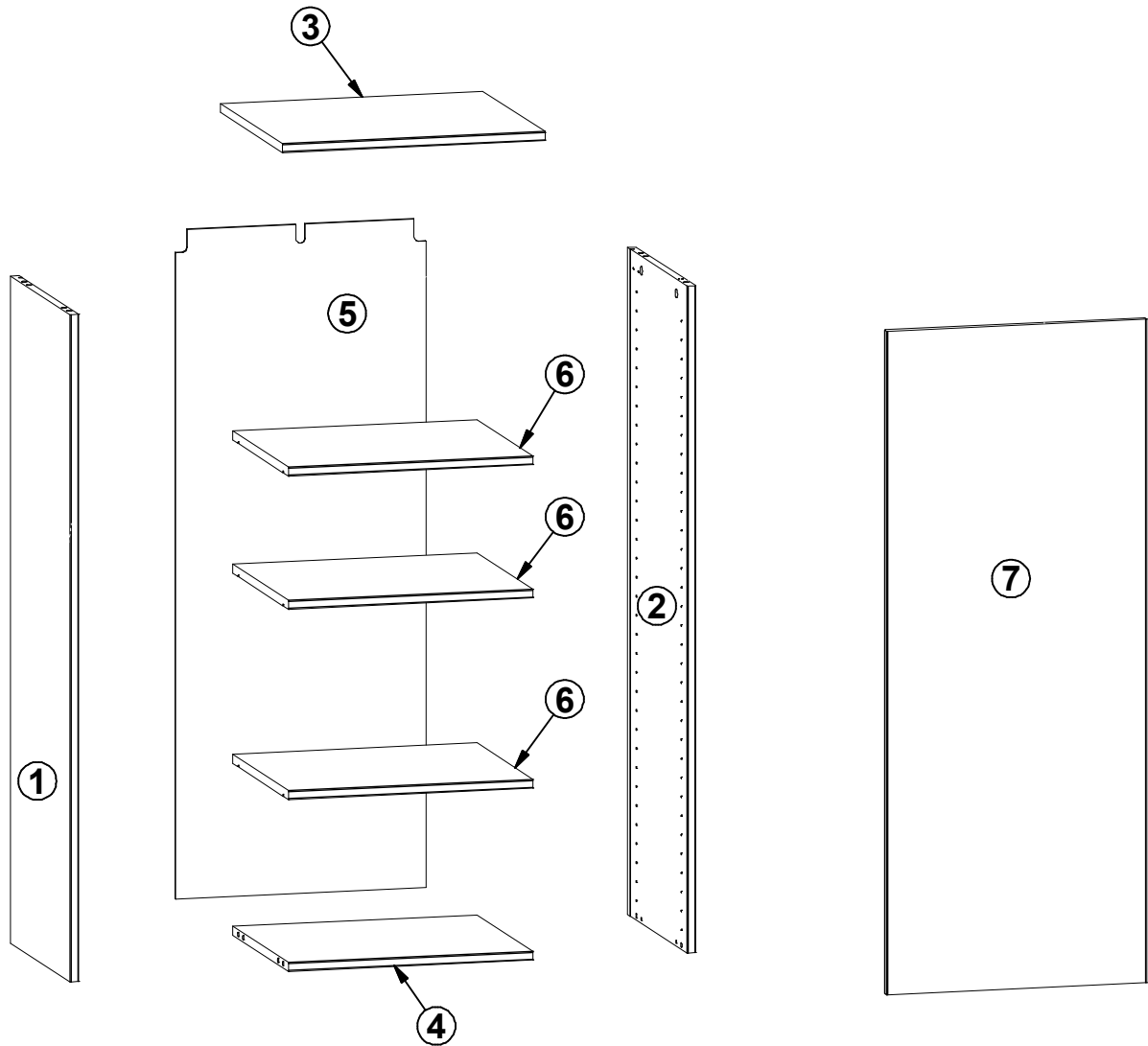
**B**

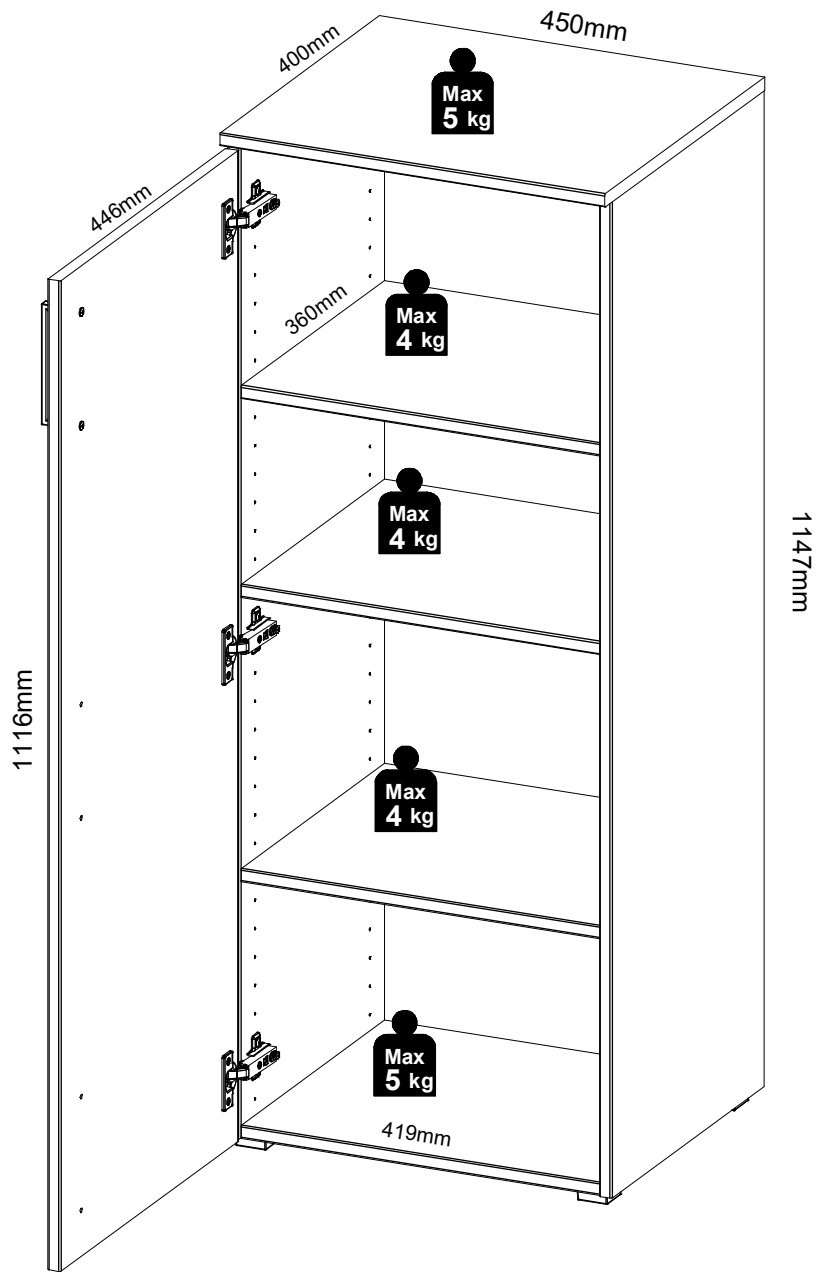
**A**

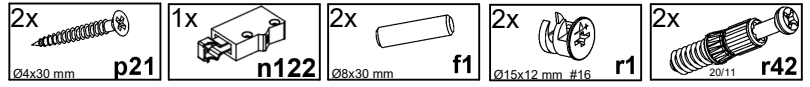




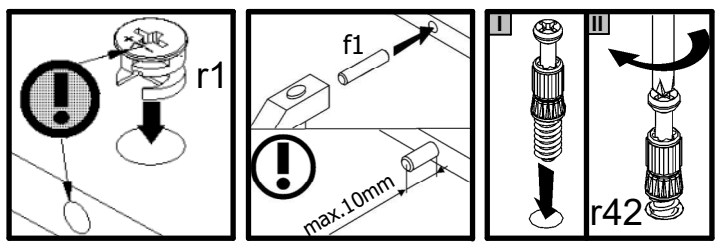
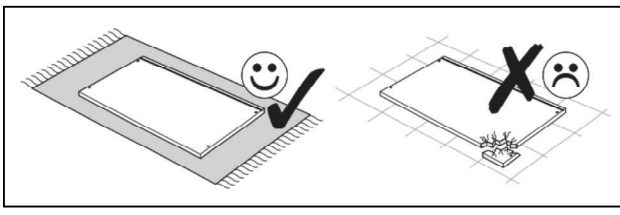
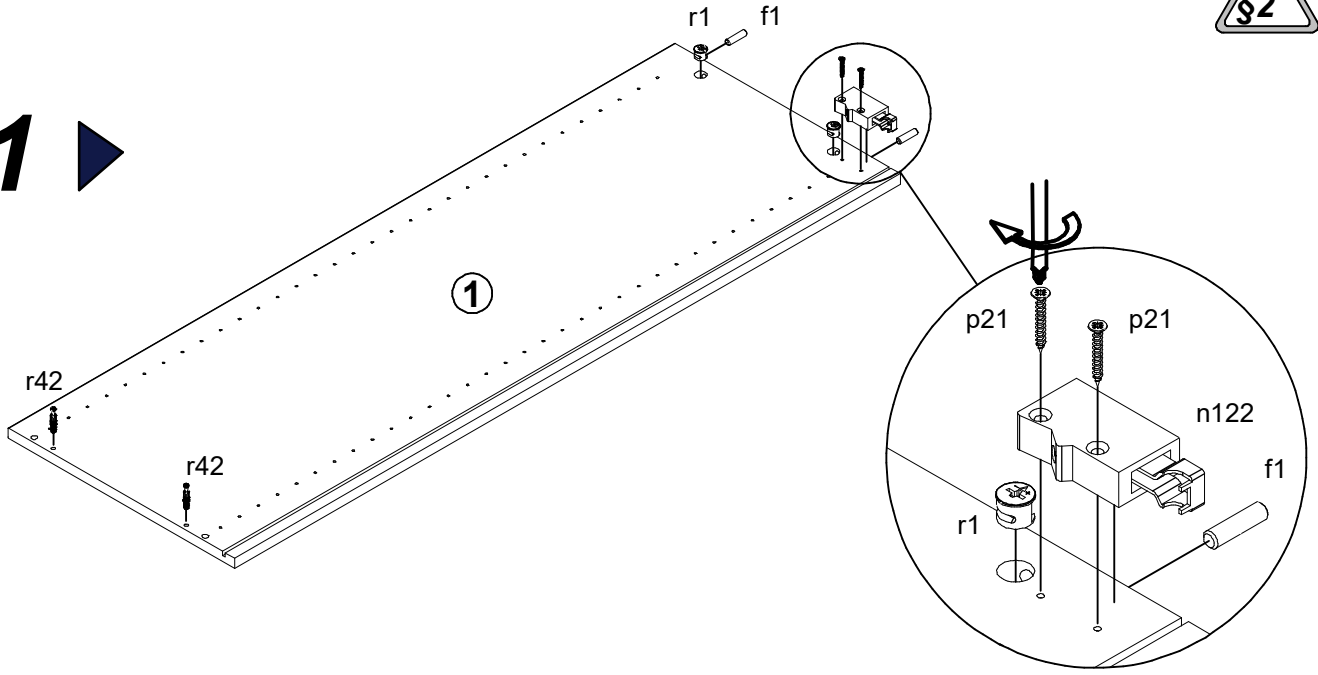
A	B1	B2	C1	C2	C3	D
1	S588-1006	-.6	1122	382	15	1/1
2	S588-1007	-.6	1122	382	15	1/1
3	S588-2002	-.3	450	400	15	1/1
4	S588-3003	-.2	419	360	15	1/1
5	S588-9007	-.2	1125	429	2,5	1/1
6	S588-3004	-.2	419	360	15	1/1
7	S588-0012	-.1	1116	446	15	1/1



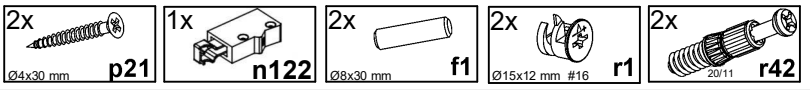
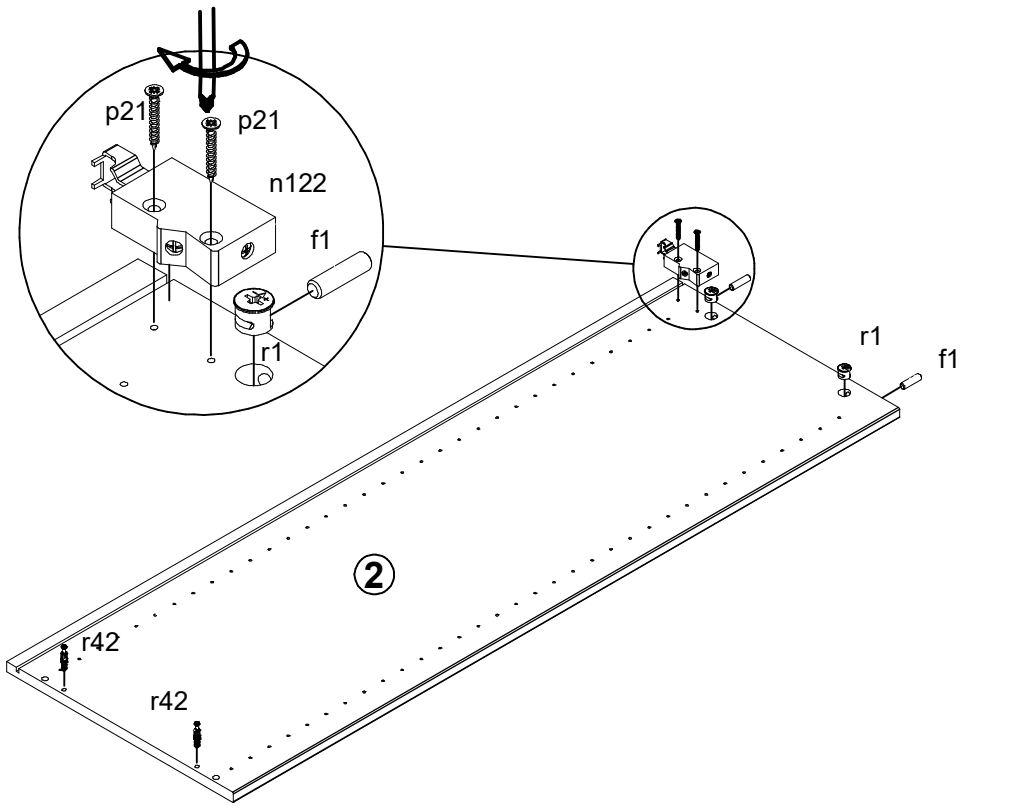


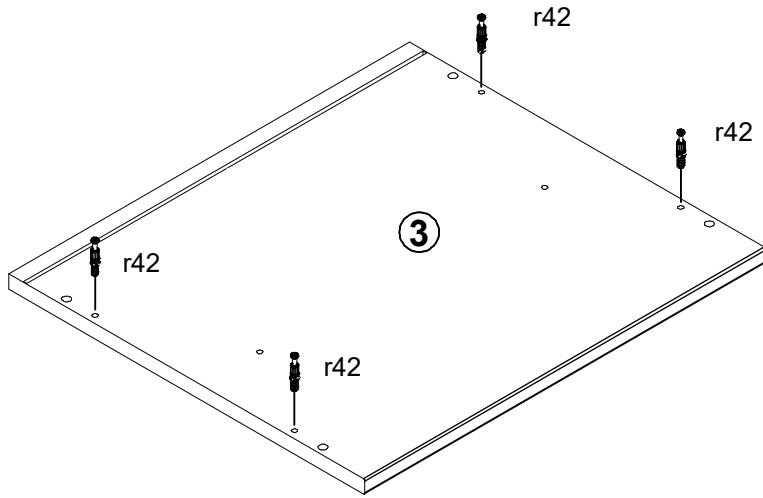


1 ▶

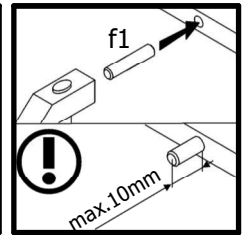
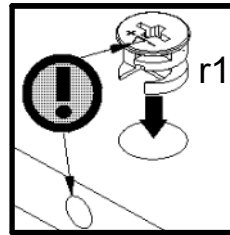
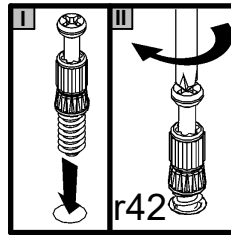
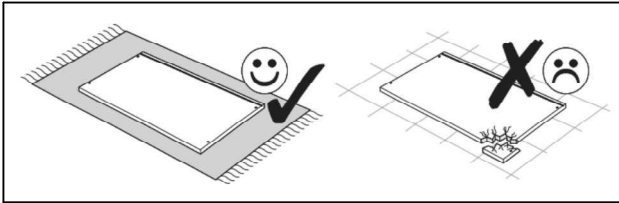


2 ▶

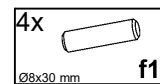
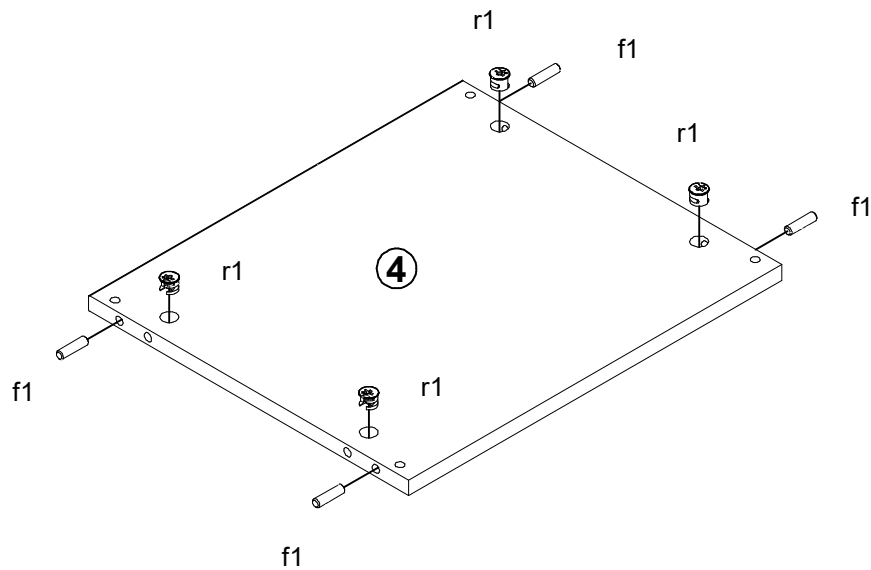


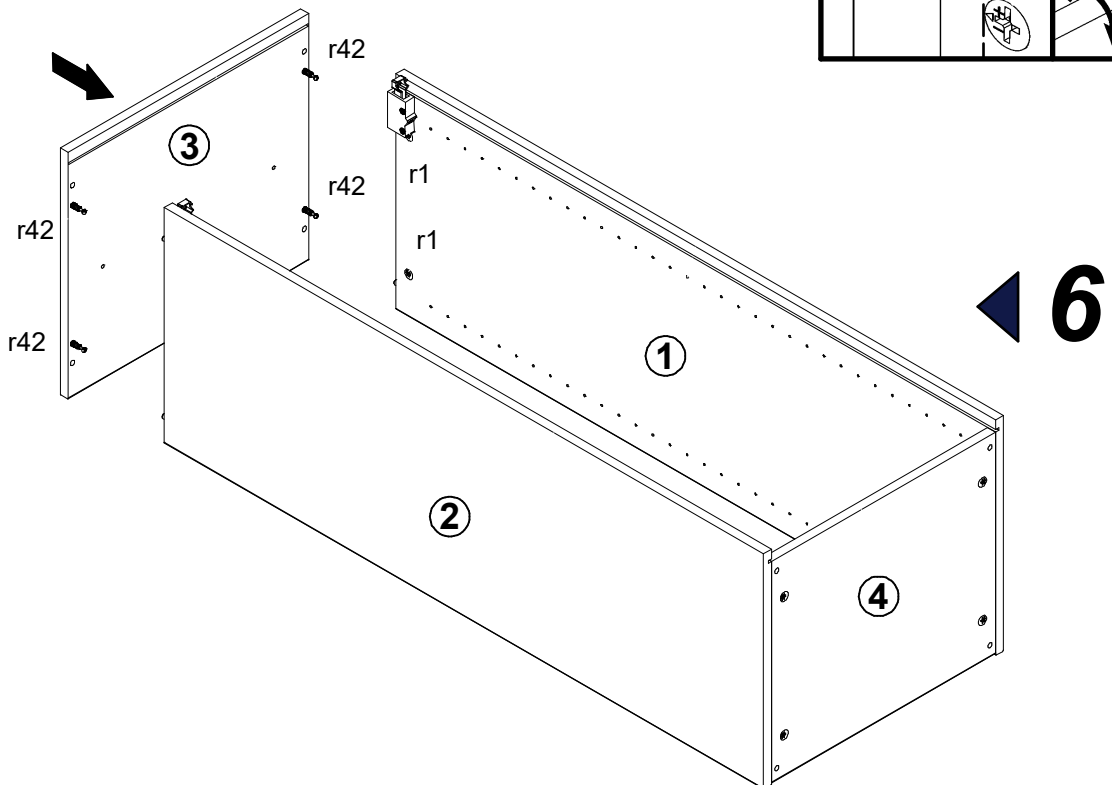
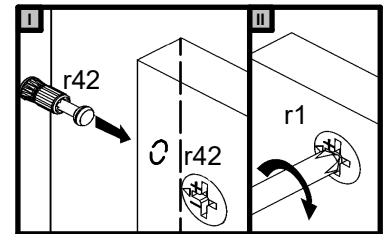
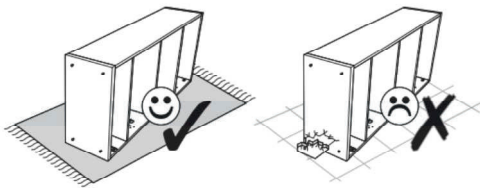
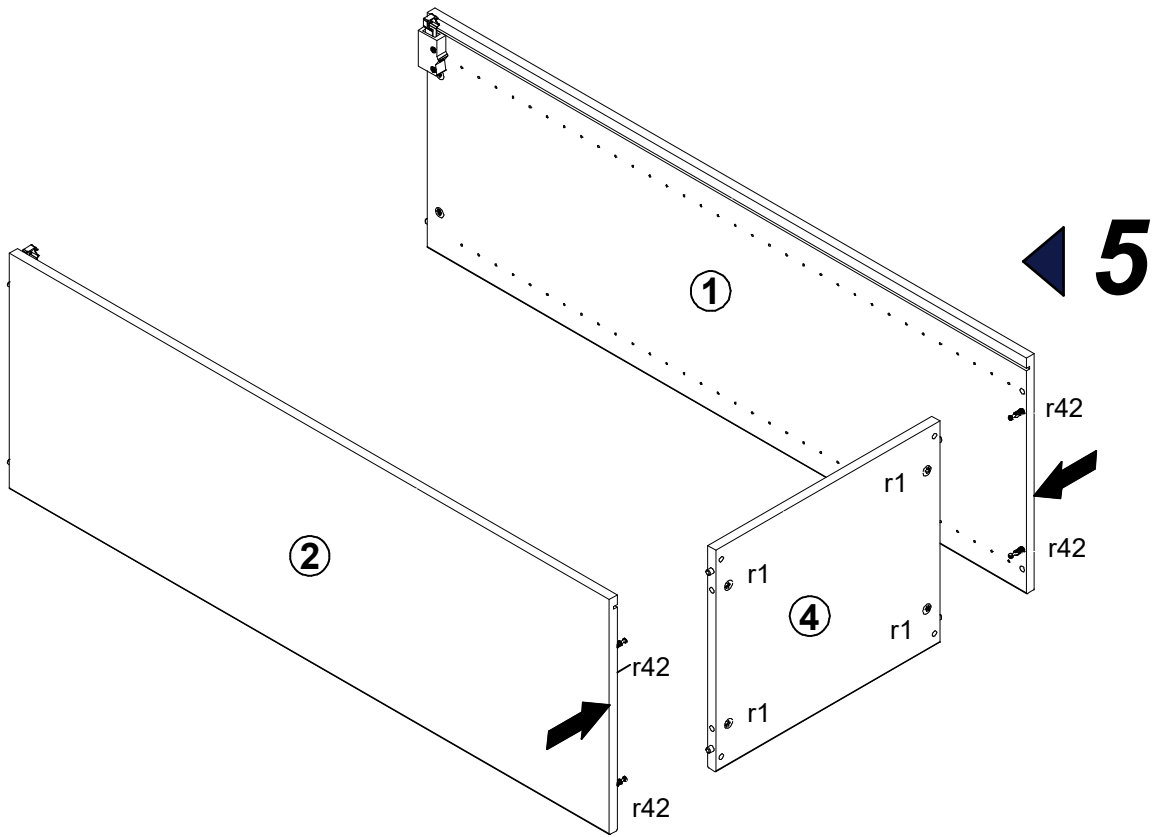


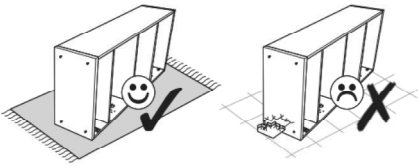
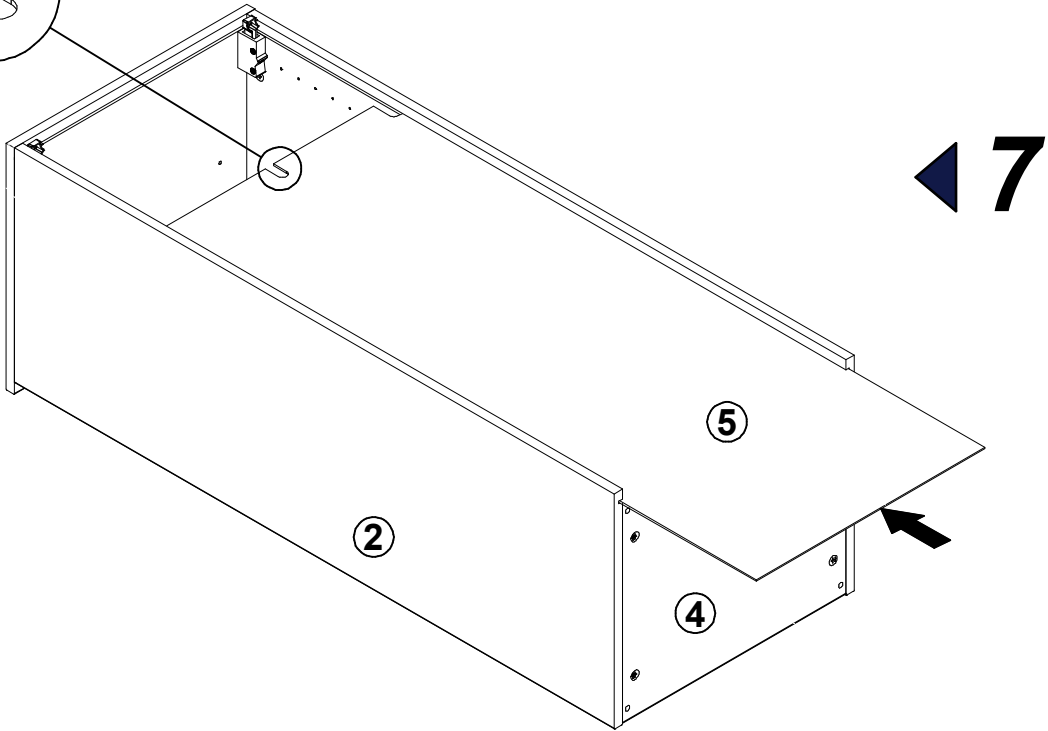
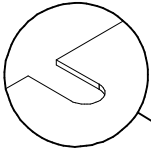
3



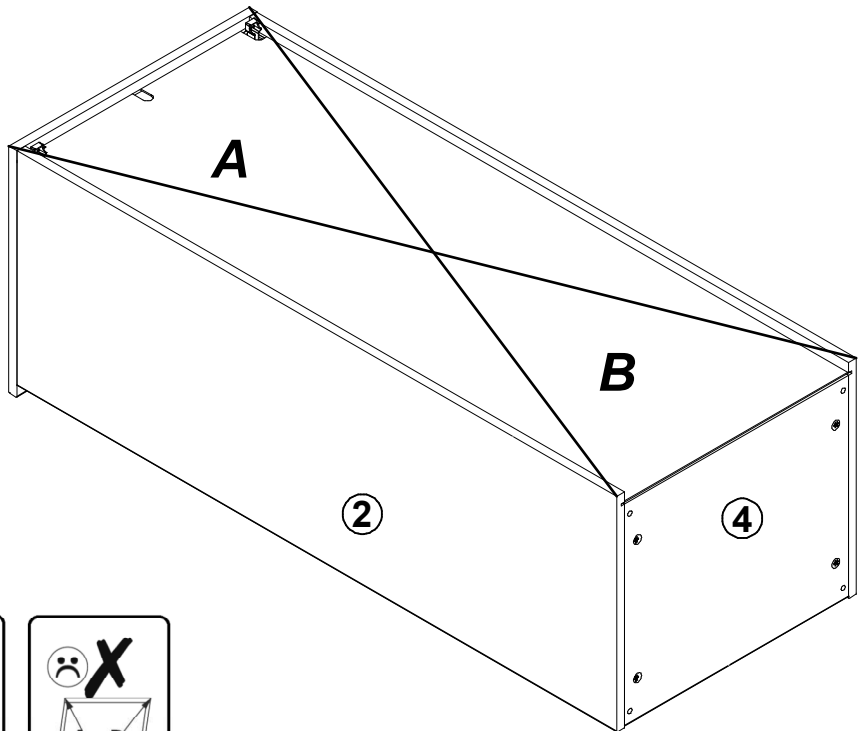
4



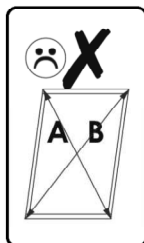
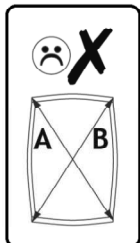
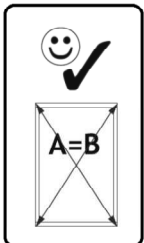


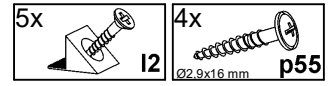


8 ▶

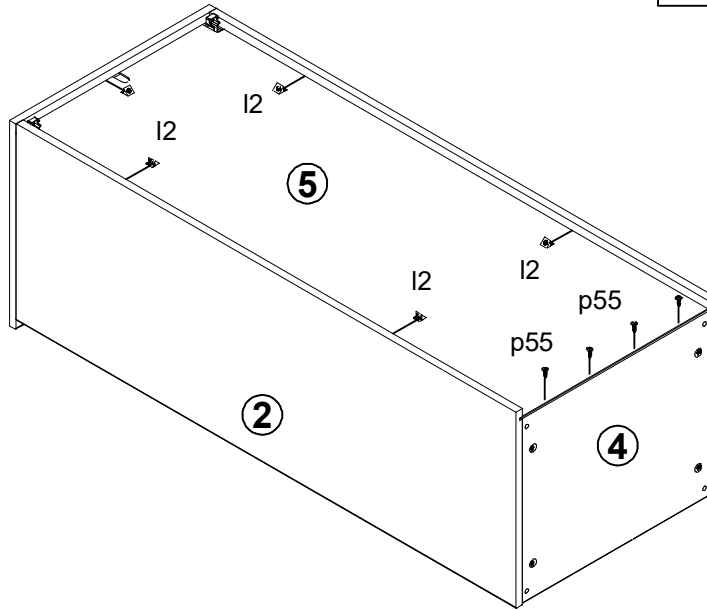
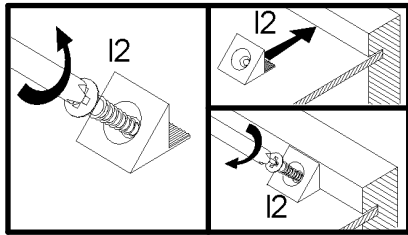
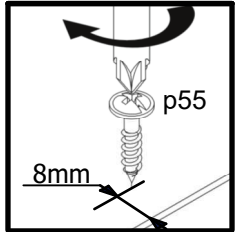


⚠  
**A=B**

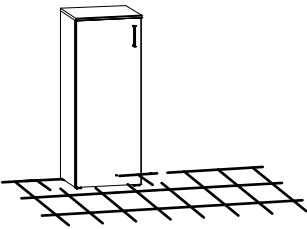




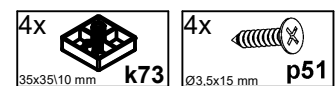
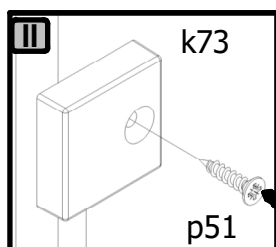
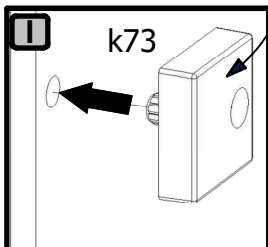
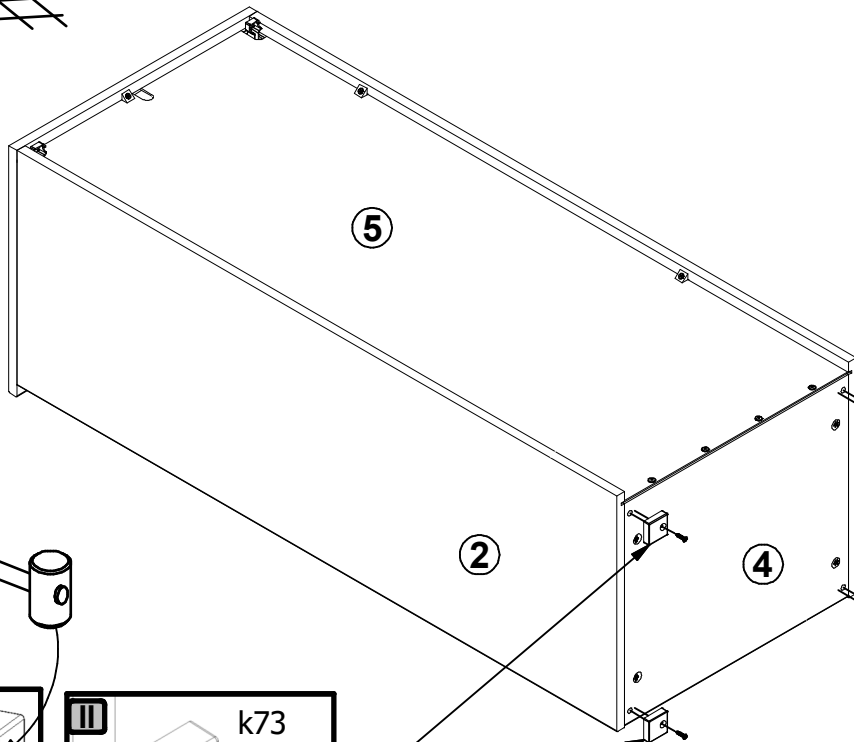
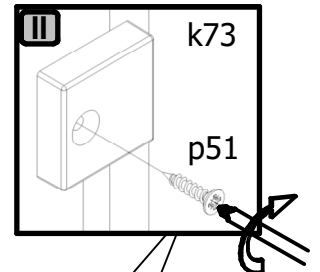
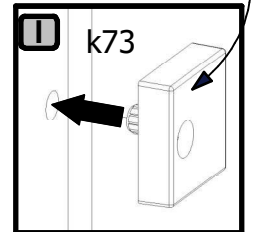
9 ▶



A !


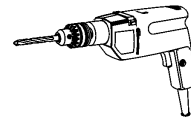
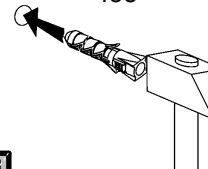
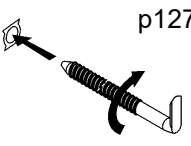
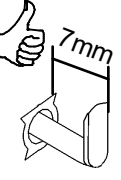


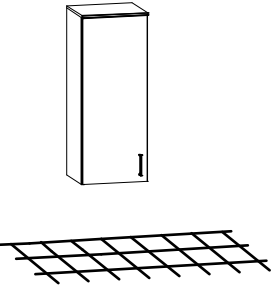
10 ▶

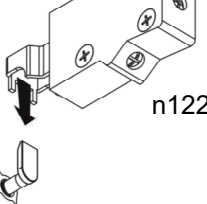




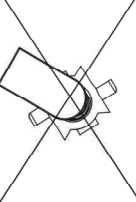
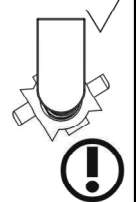
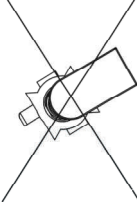


**!** **B**

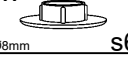



	<p>Ø10mm</p> 	<p>f35</p> 	<p>p127</p> 	<p>7mm</p> 
---	--	---	---	--

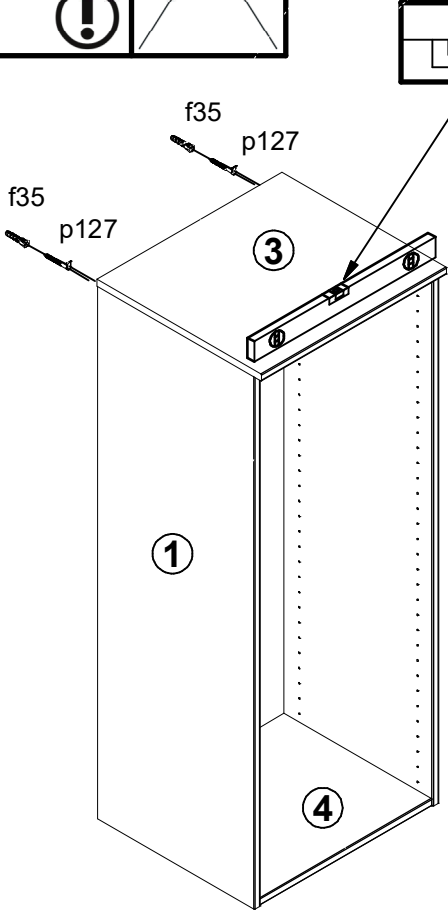



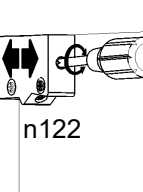
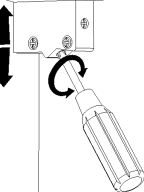
 <p>n122</p>		
---	---	---

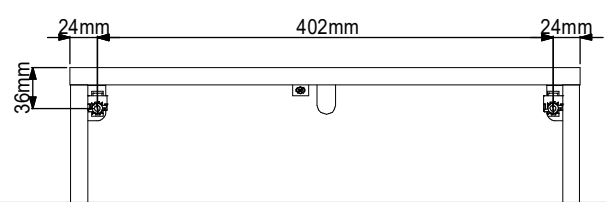
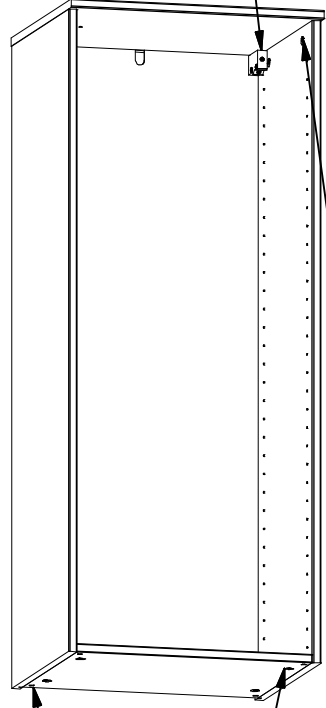
		
--	---	---



**10**



- 4x  s6  
Ø8mm
- 8x  s2  
Ø16
- 2x  p127  
Ø6x60 mm
- 2x  f35  
Ø10x50 mm

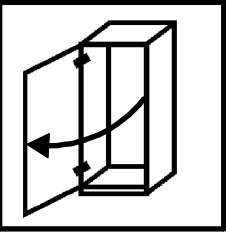


	 <p>n122</p>	
--	--	--



 <p>Ø 8</p>  <p>s6</p>
--

  <p>s2</p>
---



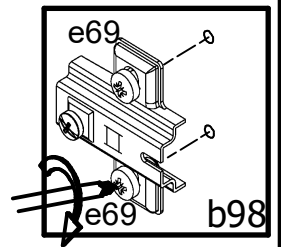
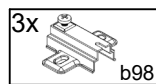
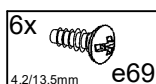
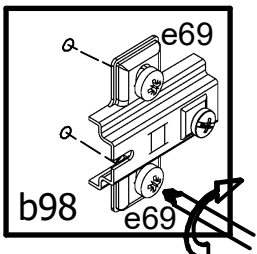
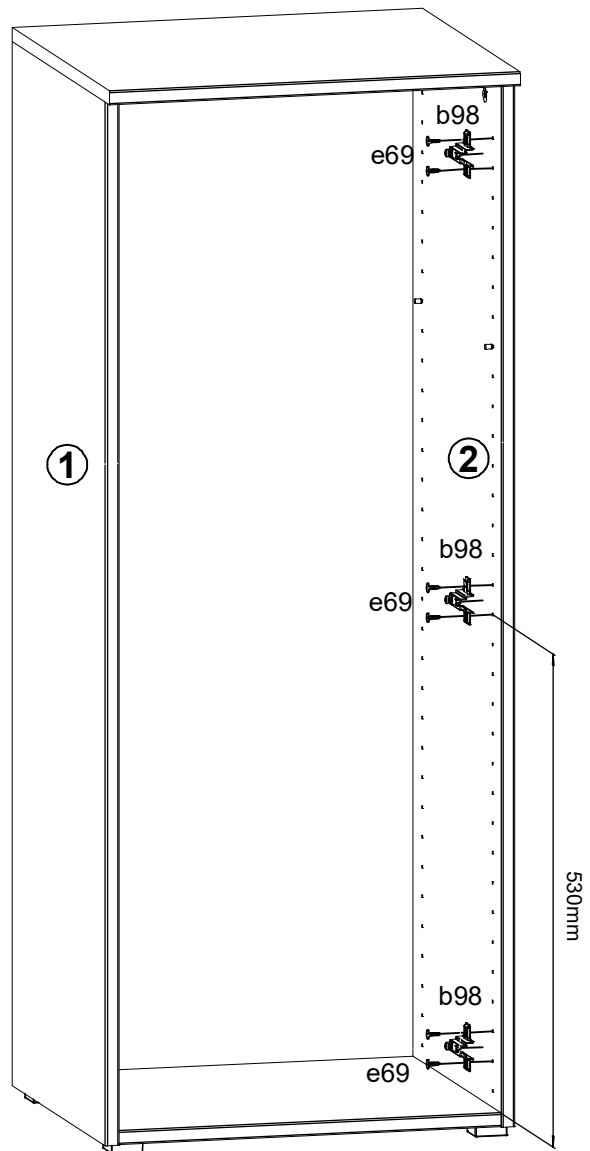
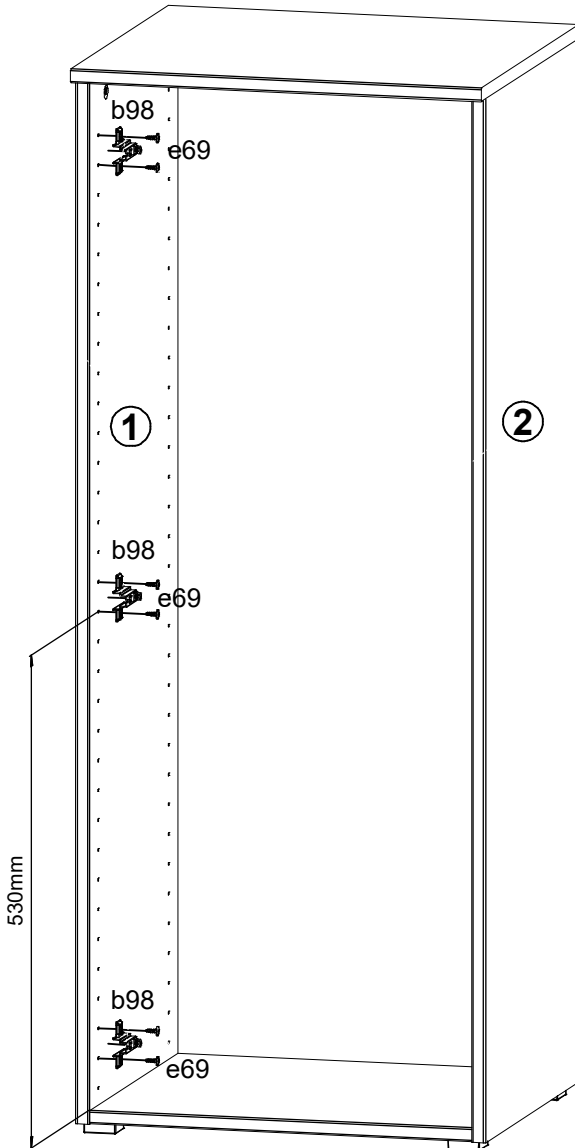
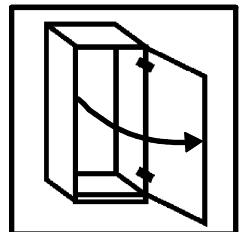
L

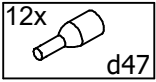
A B

12



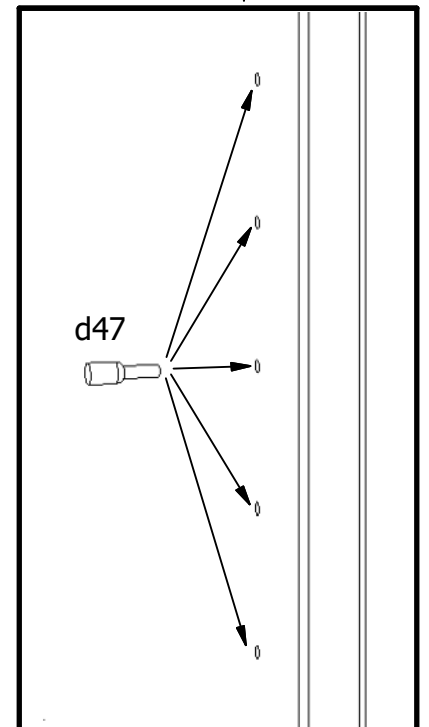
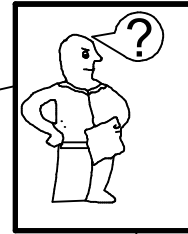
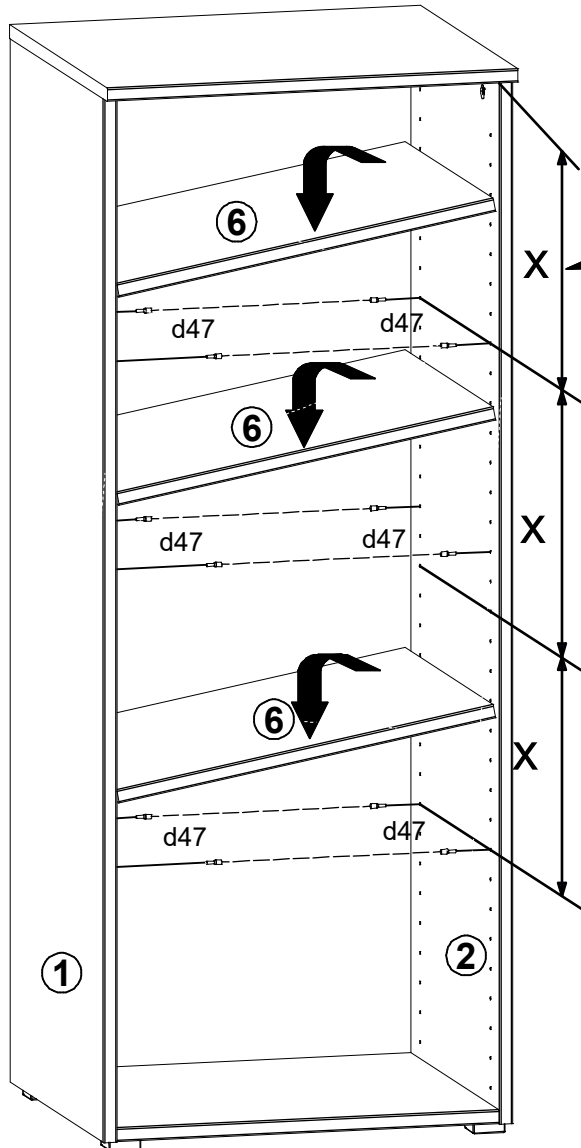
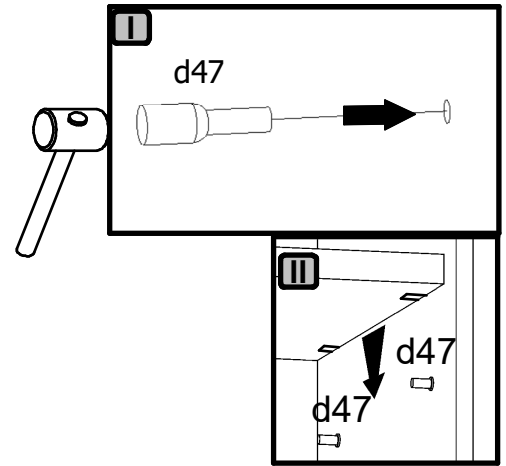
R

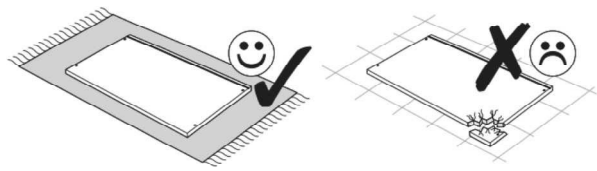




# AB

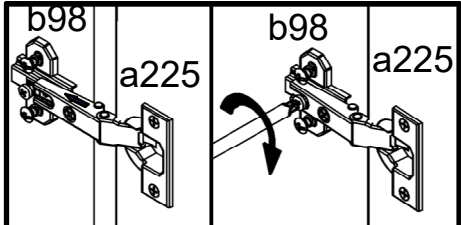
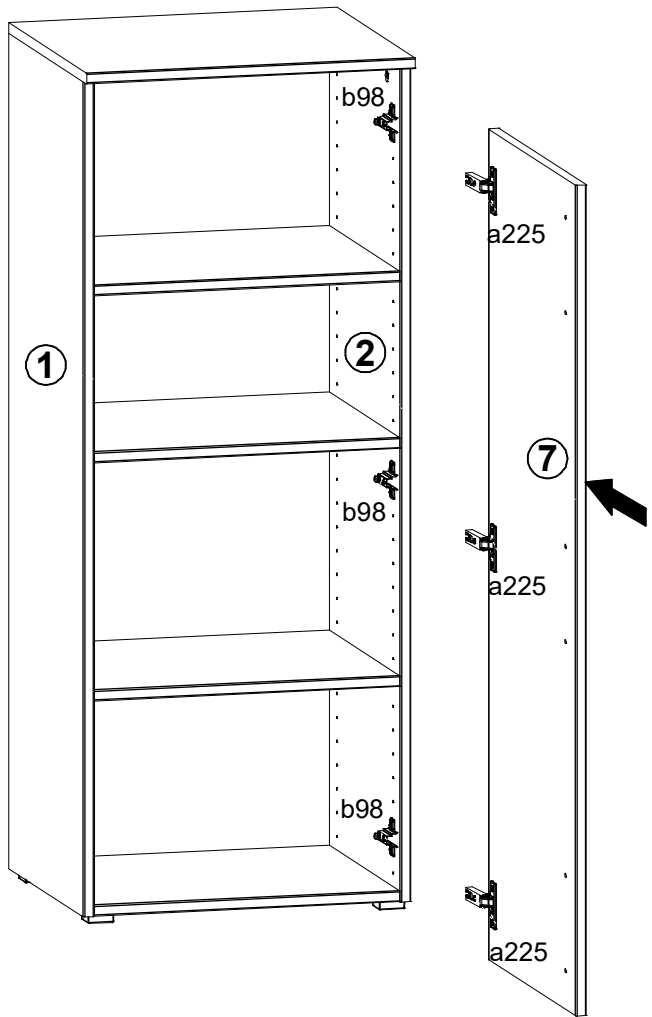
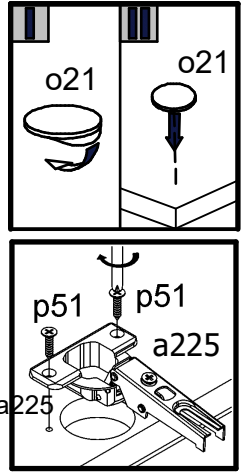
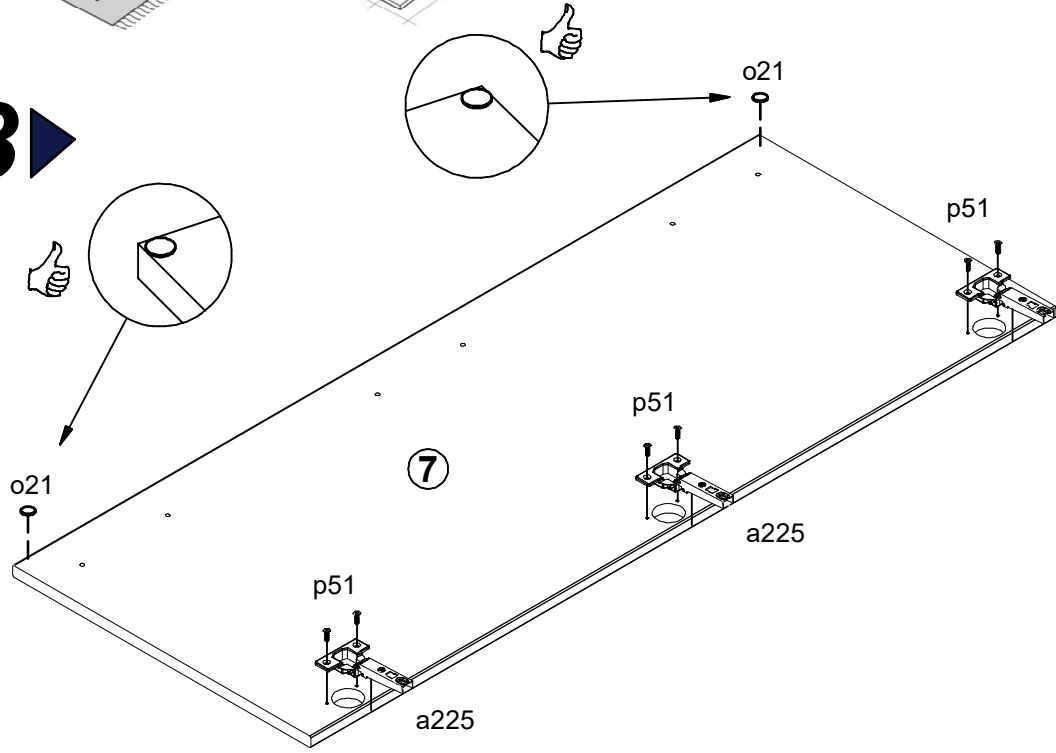
# 12



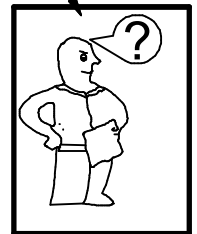
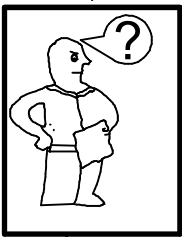
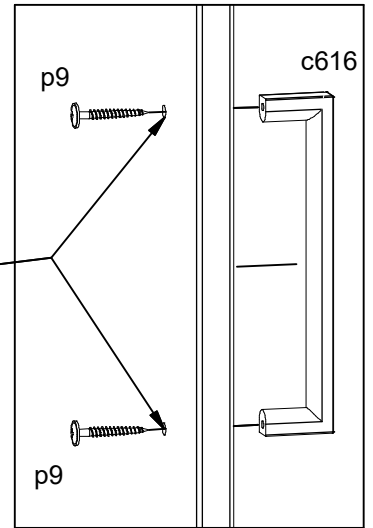
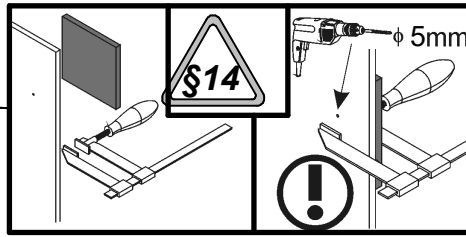
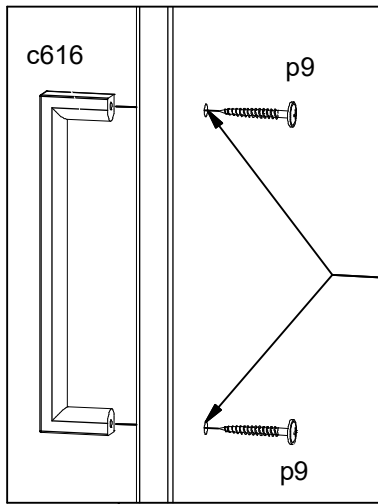


- 2x silikon o21
- 3x a225
- 6x p51 (Ø3.5x15 mm)

13 ▶



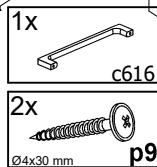
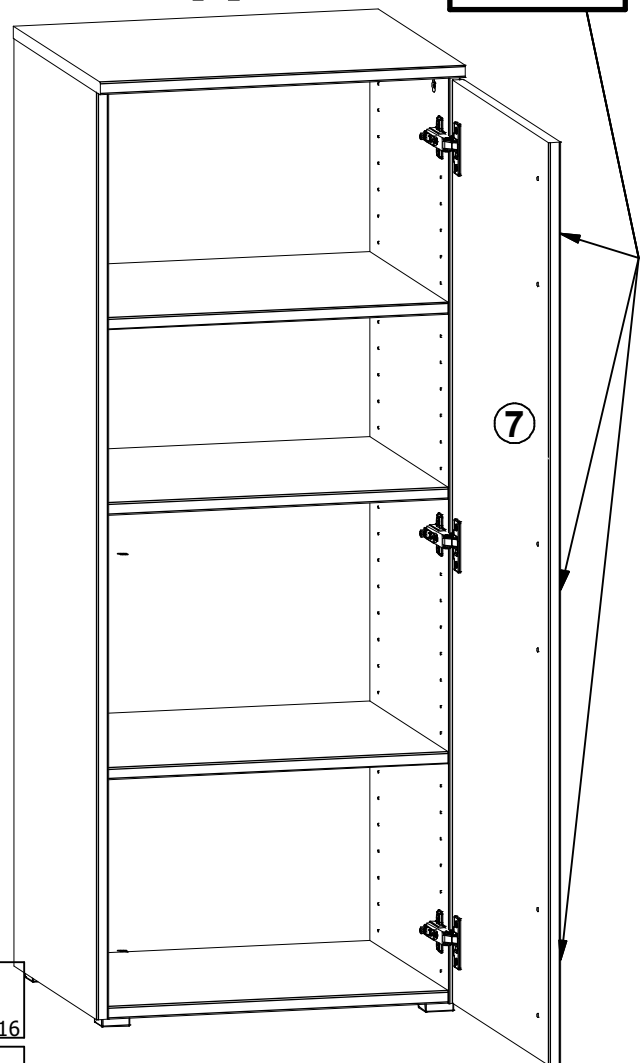
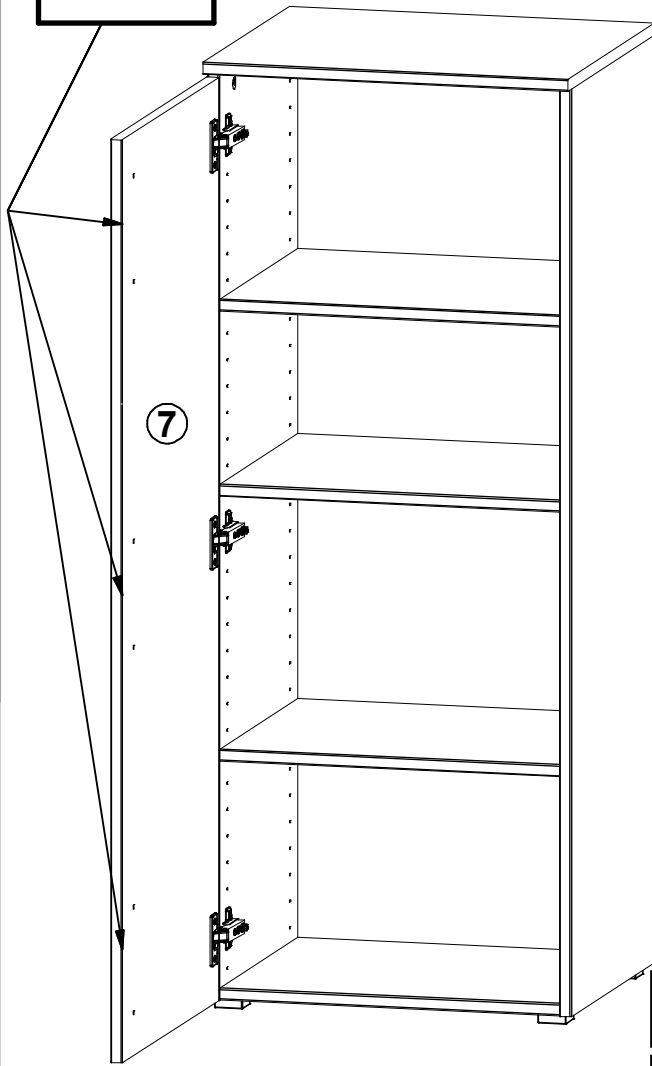
# 15

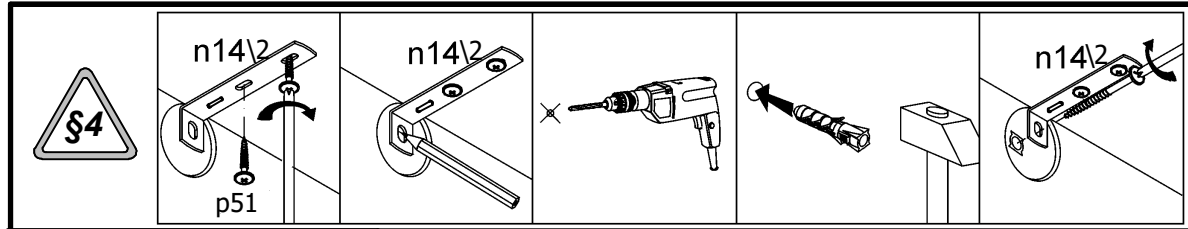


L



R





16

