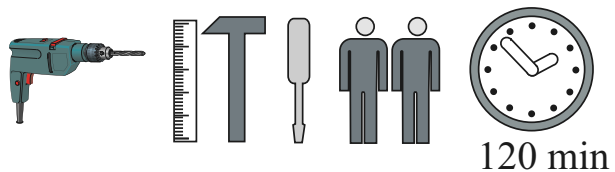
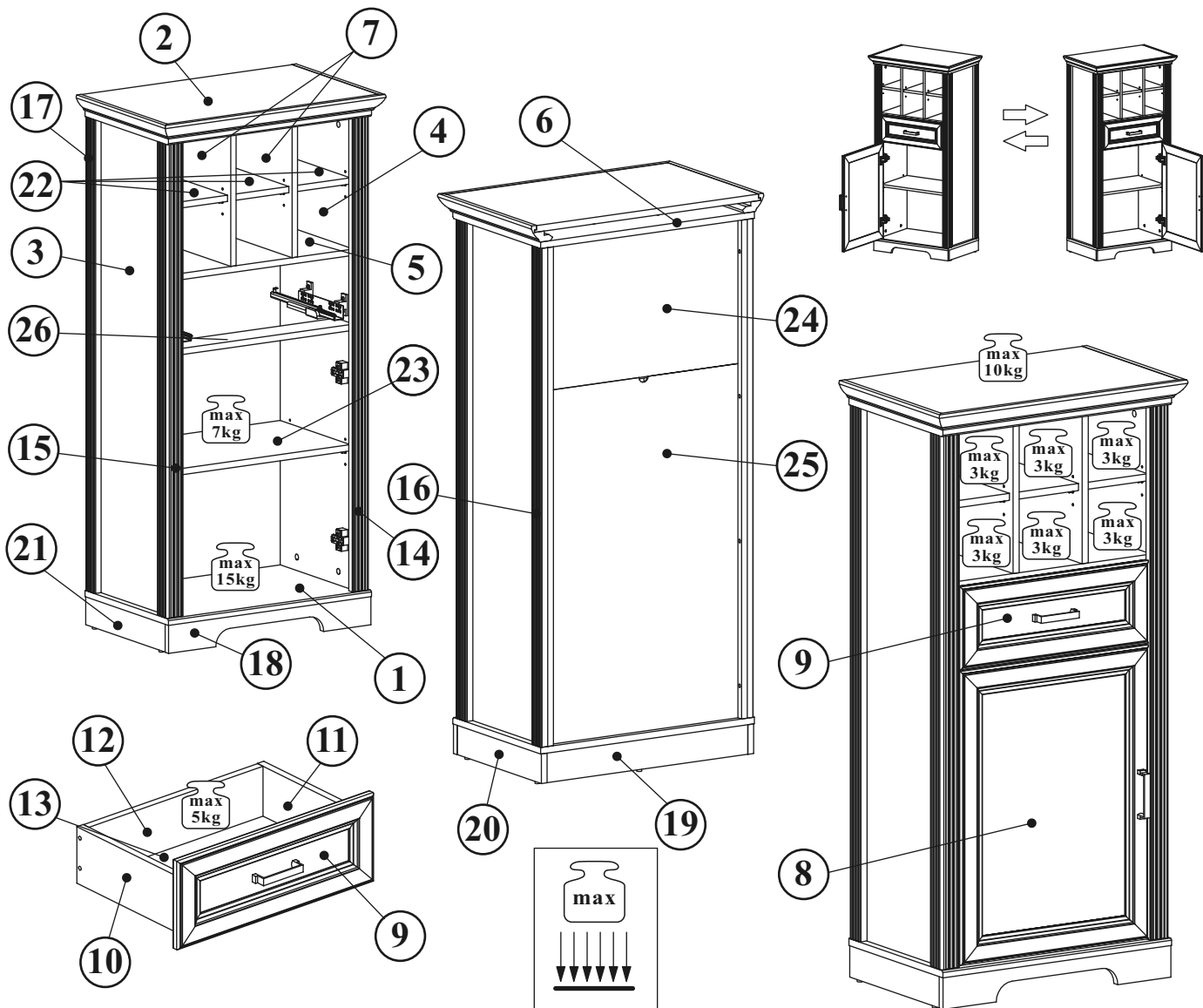
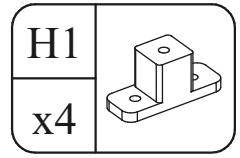
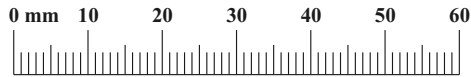


# JASMIN 10G9\_04

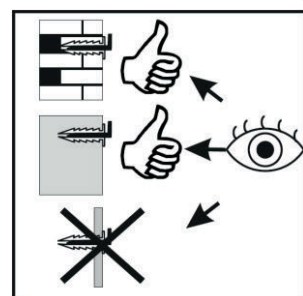
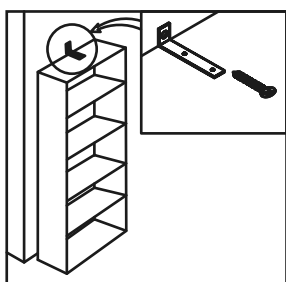
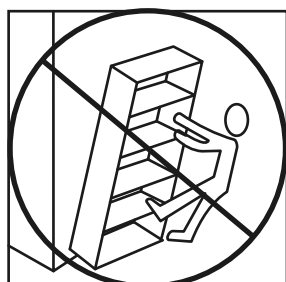
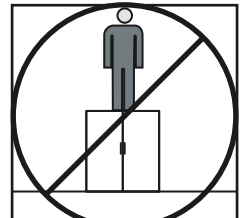
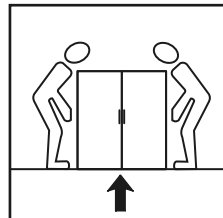
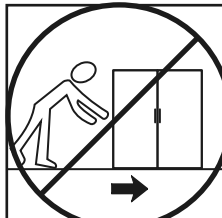
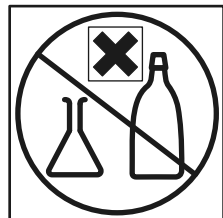
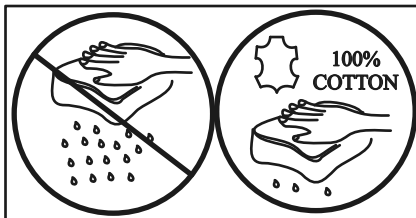
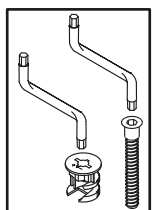
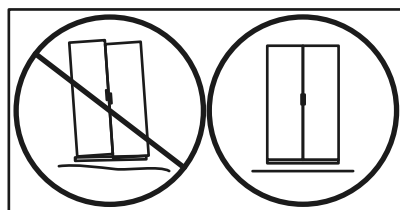
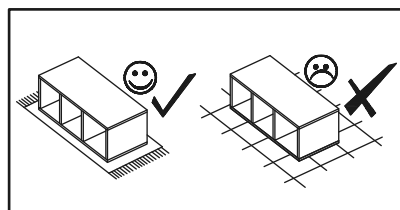
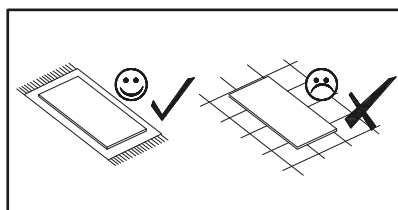
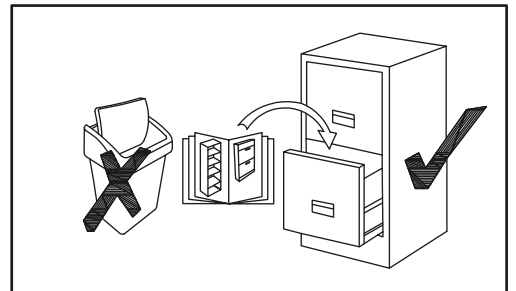
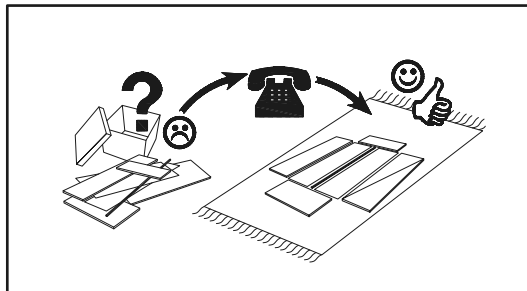
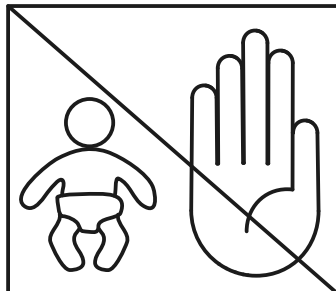


NO	Dim.		Col.-No	Qty
1	602	386	1	1
2	655	413	1	1
3	1213	359	2	1
4	1213	359	2	1
5	530	339	1	1
6	602	386	1	1
7	340	339	1	2
8	668	496	1	1
9	496	188	1	1
10	300	120	2	1
11	300	120	2	1
12	440	106	2	1
13	304	452	1	1

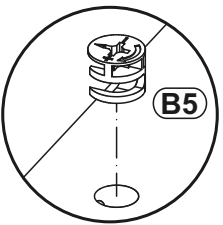
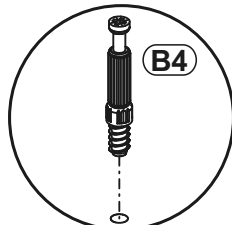
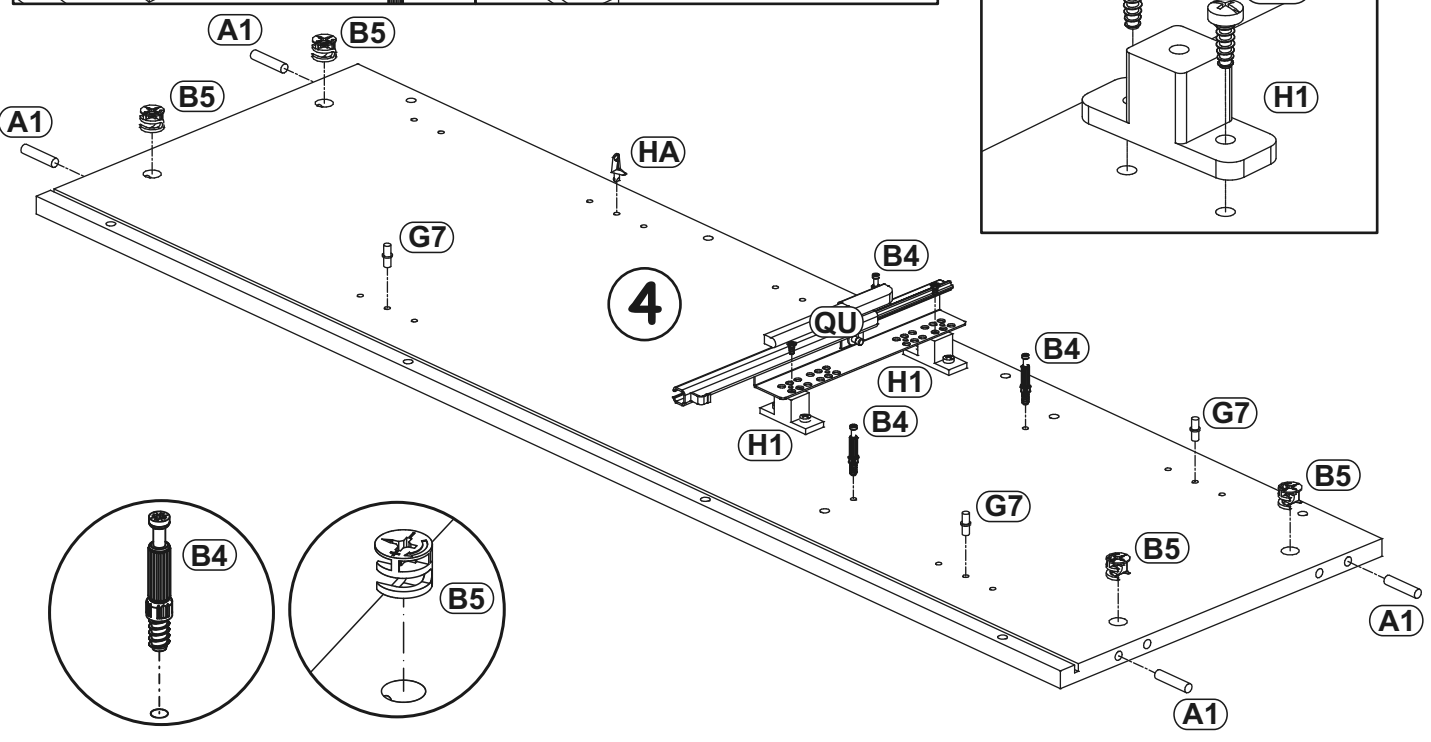
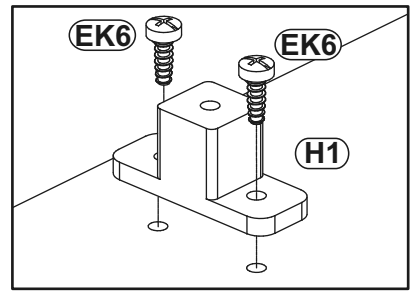
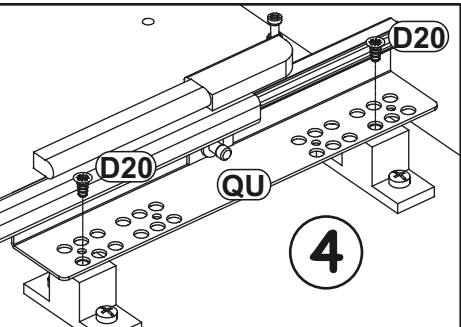
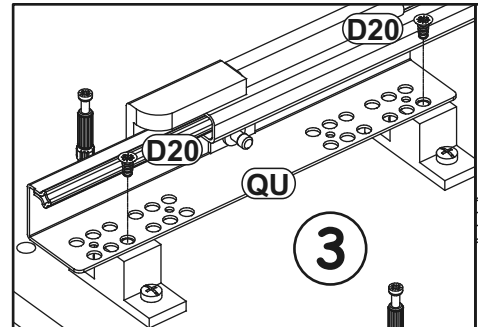
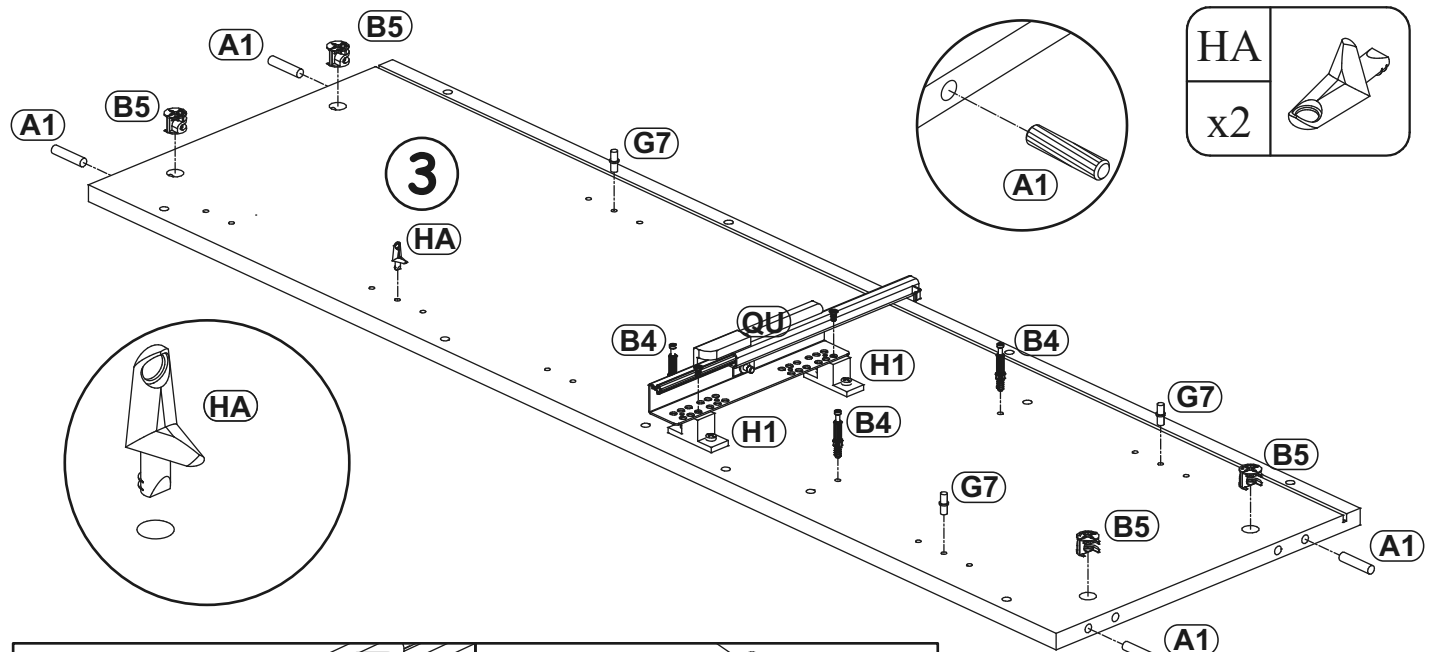
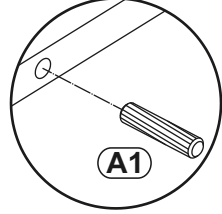
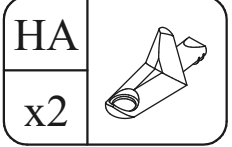
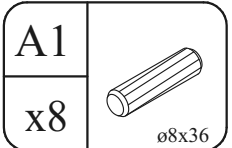
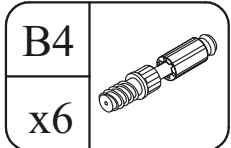
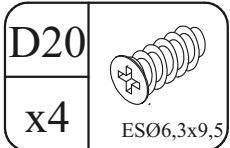
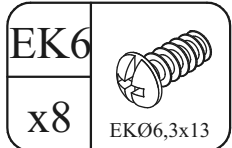
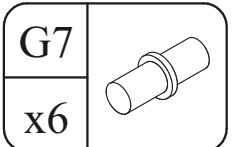
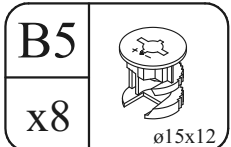
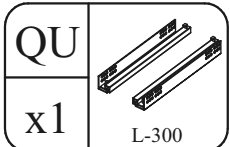
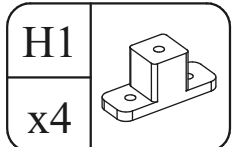
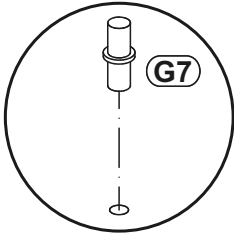
NO	Dim.		Col.-No	Qty
14	1213	49	2	1
15	1213	49	2	1
16	1213	43	2	1
17	1213	43	2	1
18	600	72	2	1
19	566	72	2	1
20	369	72	2	1
21	369	72	2	1
22	166	324	2	1
23	530	324	2	1
24	354	542	1	1
25	871	542	1	1
26	530	80	2	1



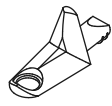
A1 x38  ø8x36	B4 x26 	B5 x26  ø15x12	G5 x26 	G7 x10 	HA x6 
S1 x14 	E17 x2  H=16	E13 x2  H=2	Z2 x5  ø5	L1 x1 	KR1 x1 
EK8 x4  EKØ6,3x24	D10 x8  USØ3,5x13	UP13 x11  UPØ3x16	D20 x4  ESØ6,3x9,5	QU x1  L-300	I2 x5 
B11 x12  Ø7x50	B14 x22  Ø7x30	G4 x34 	KM1 x1 	G16 x4 	E0 x2  H=11
C19 x2 	D16 x2  M4x16	D4 x2  M4x30	EK6 x8  EKØ6,3x13	G20 x1 	G2 x1 

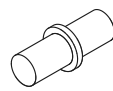


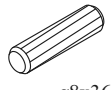
1

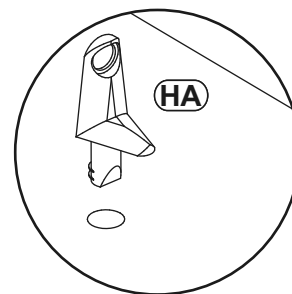
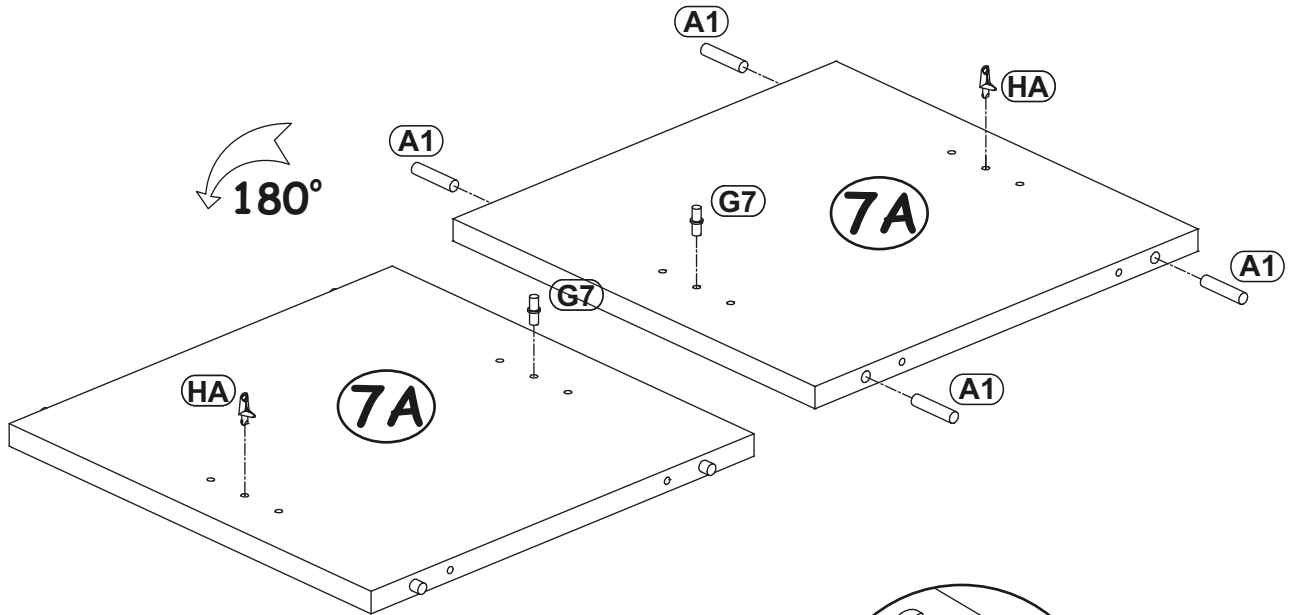
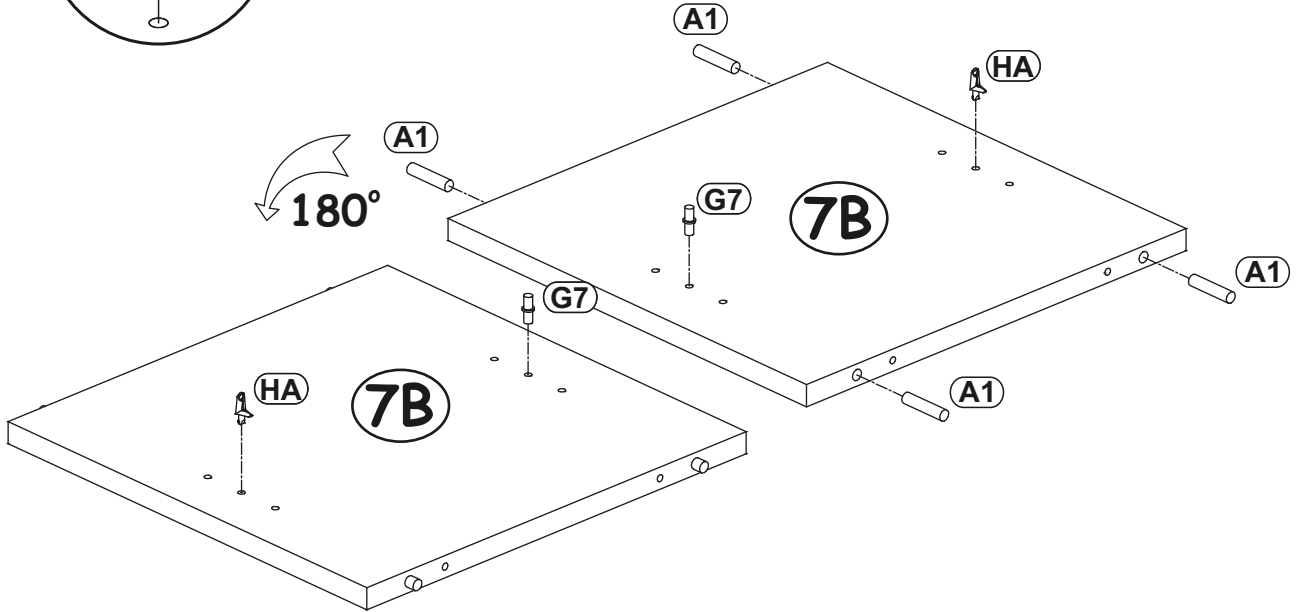
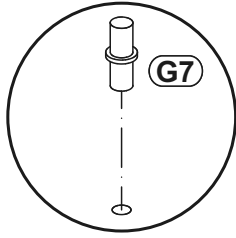


2

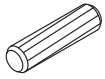

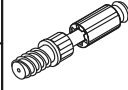
HA	
x4	

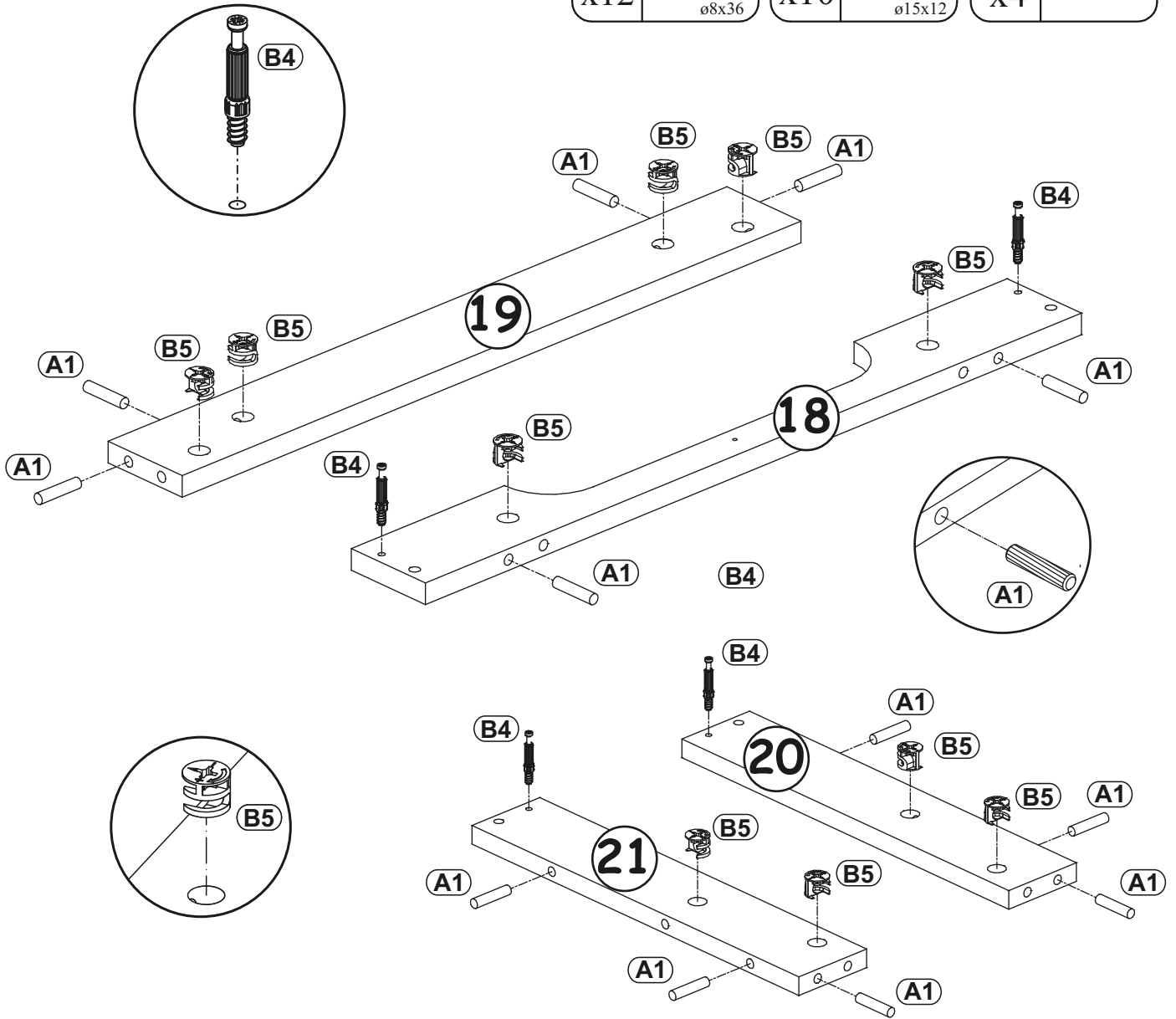
G7	
x4	

A1	
x8	ø8x36

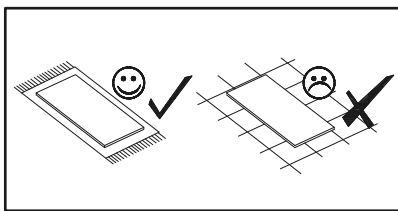


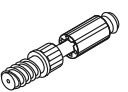
3

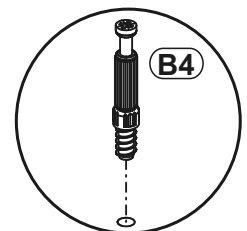
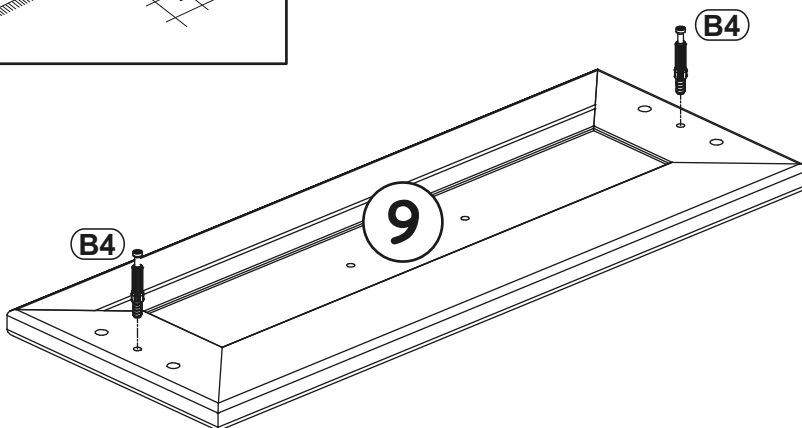
A1		B5		B4	
x12	ø8x36	x10	ø15x12	x4	




4

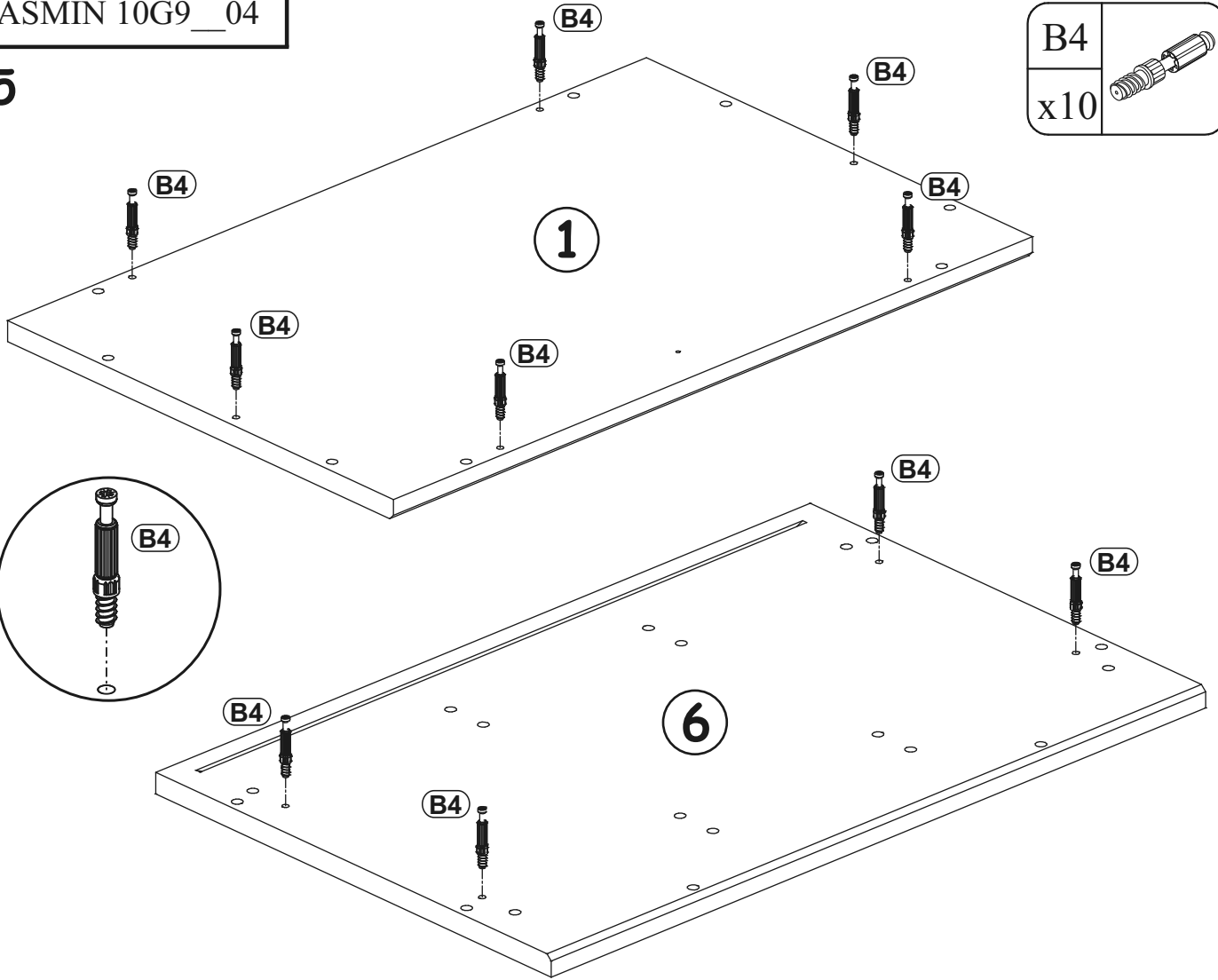


B4	
x2	

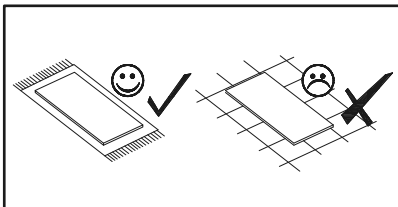



5

B4	
x10	

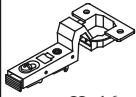


6

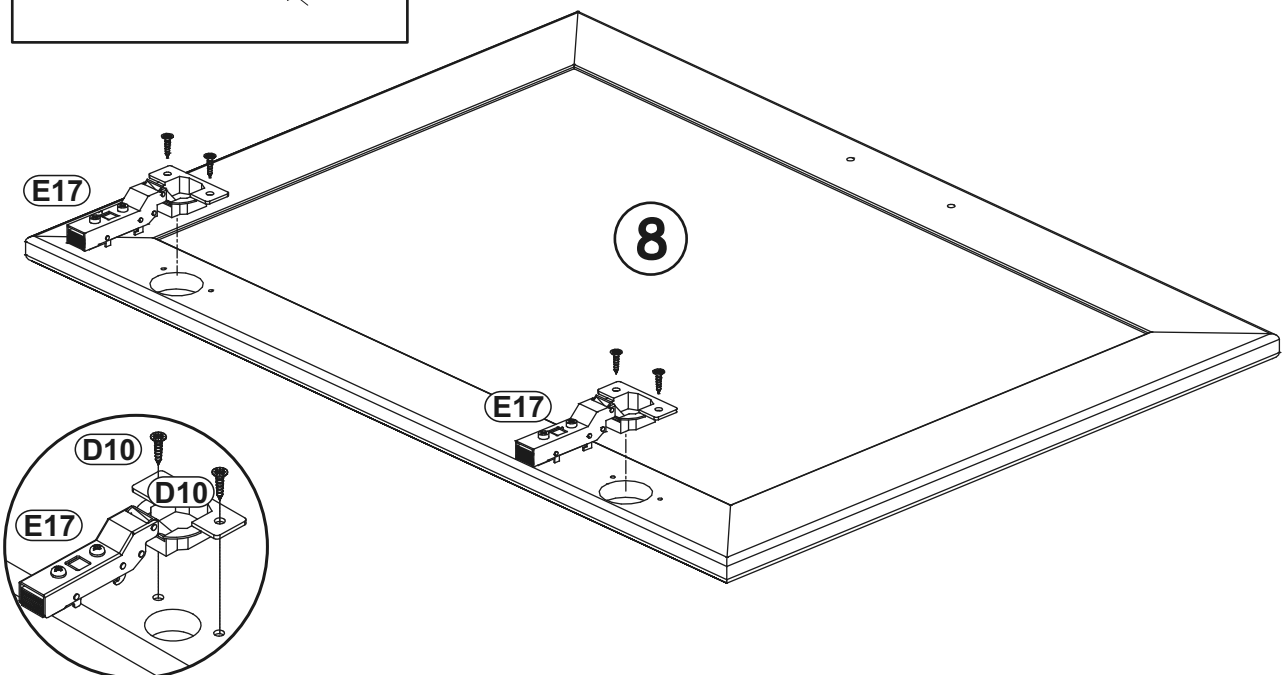


D10	
x4	

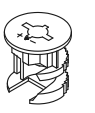
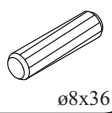
USØ3,5x13

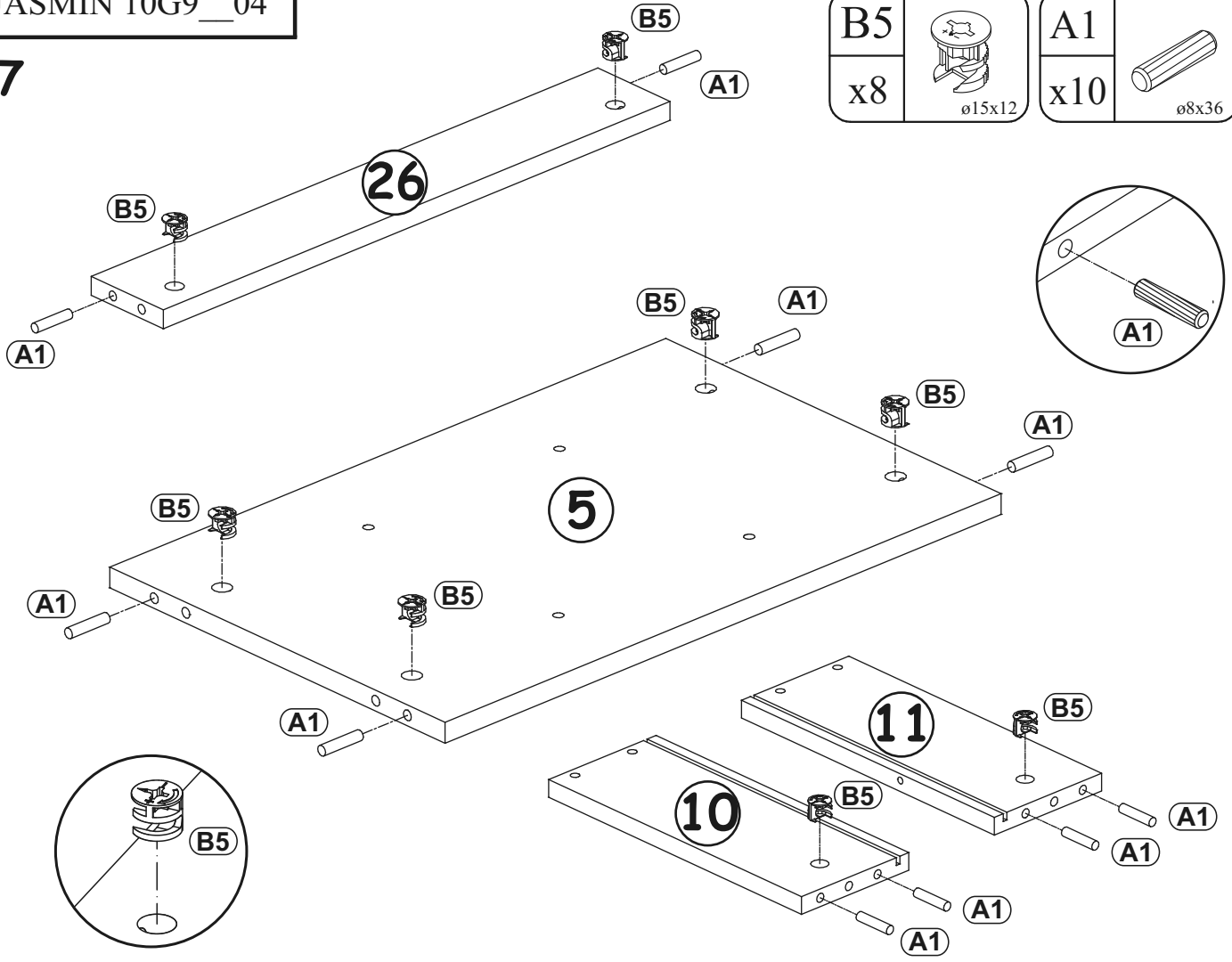
E17	
x2	

H=16






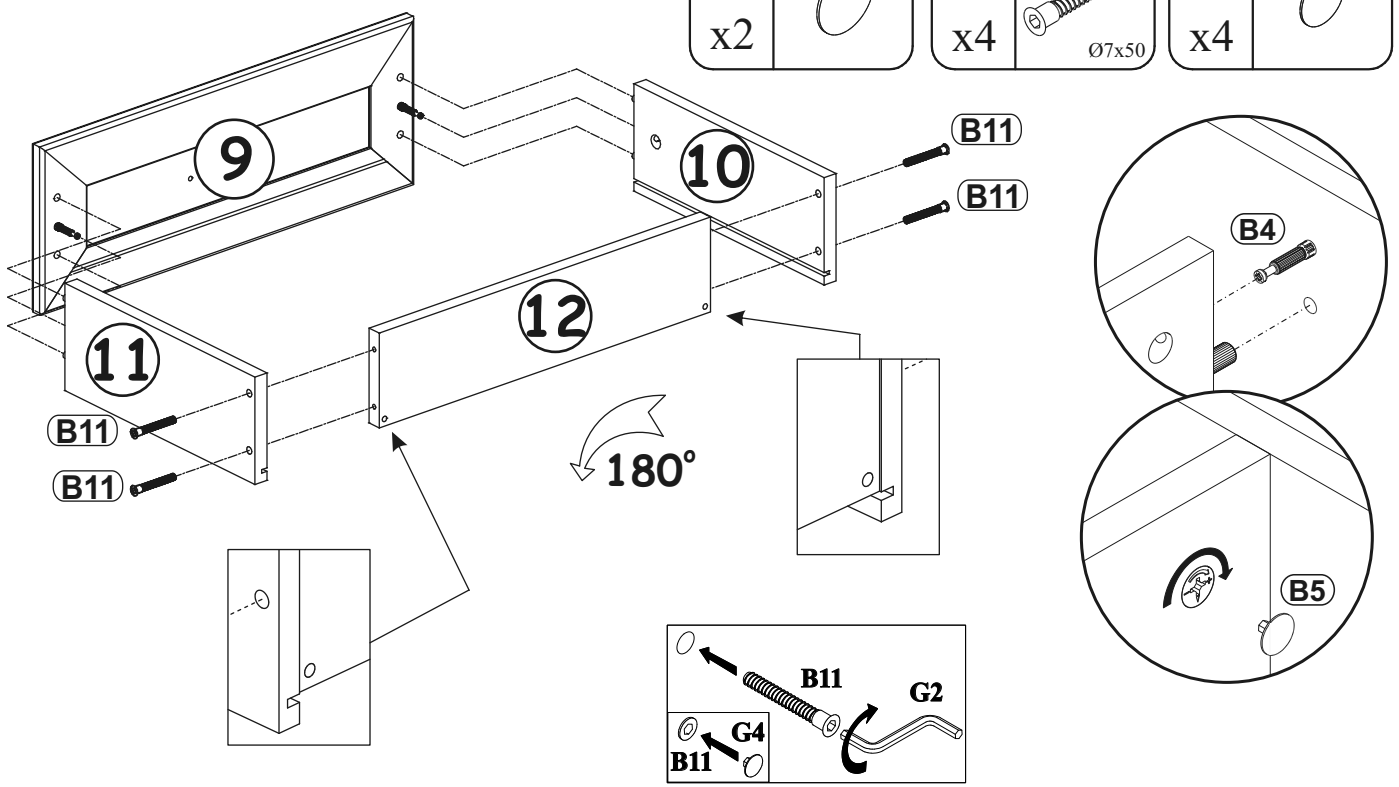
7

B5		A1	
x8	ø15x12	x10	ø8x36




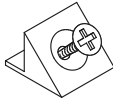
8

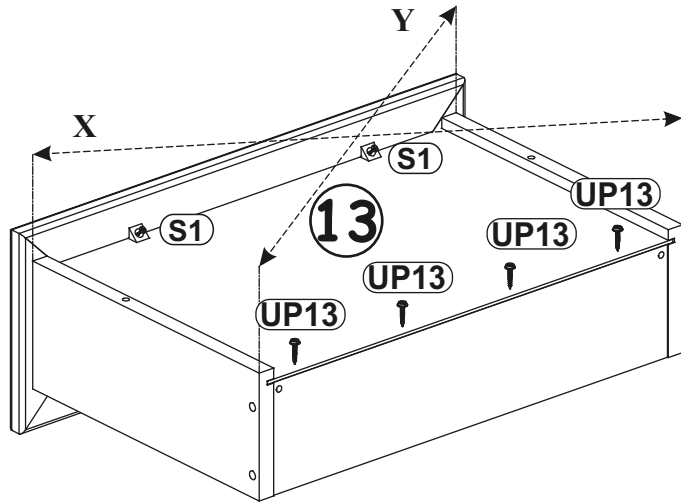
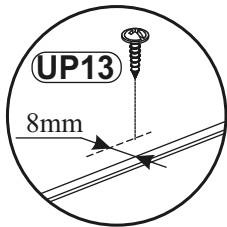
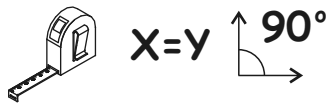
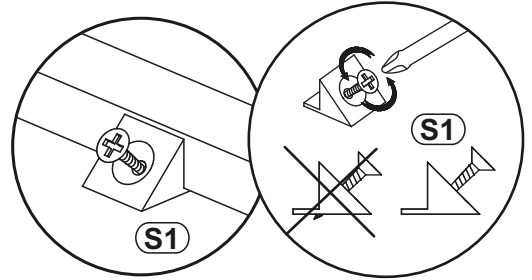
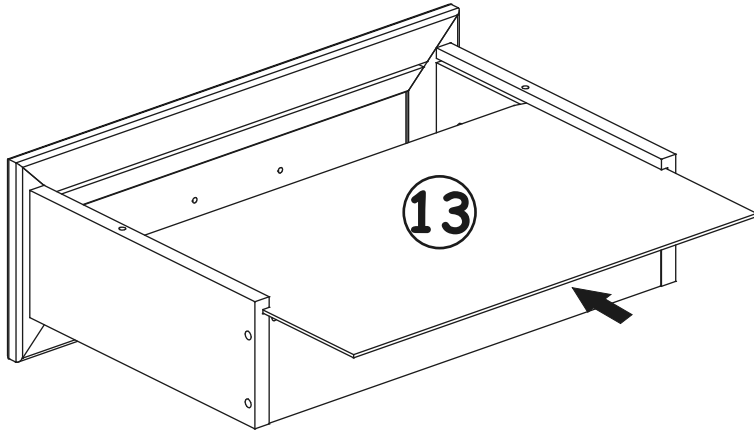
G5		B11		G4	
x2		x4	Ø7x50	x4	




9

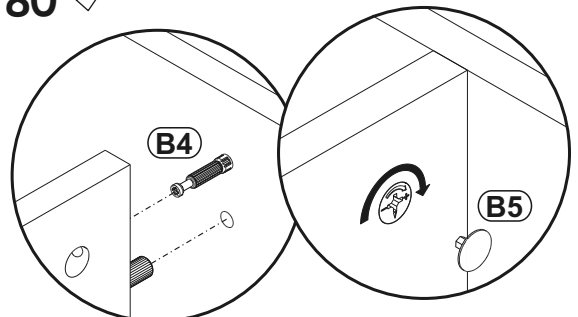
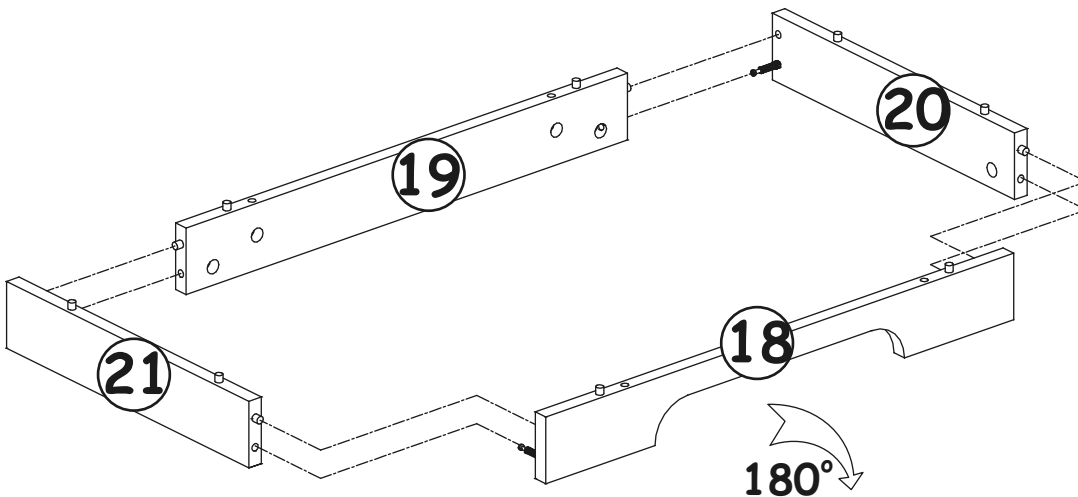
UP13	
x4	UPØ3x16

S1	
x2	



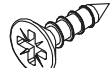
10


G5	
x4	

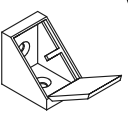





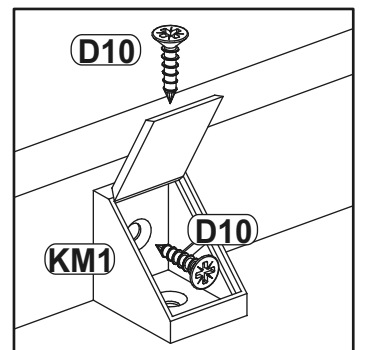
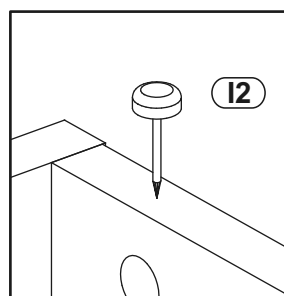
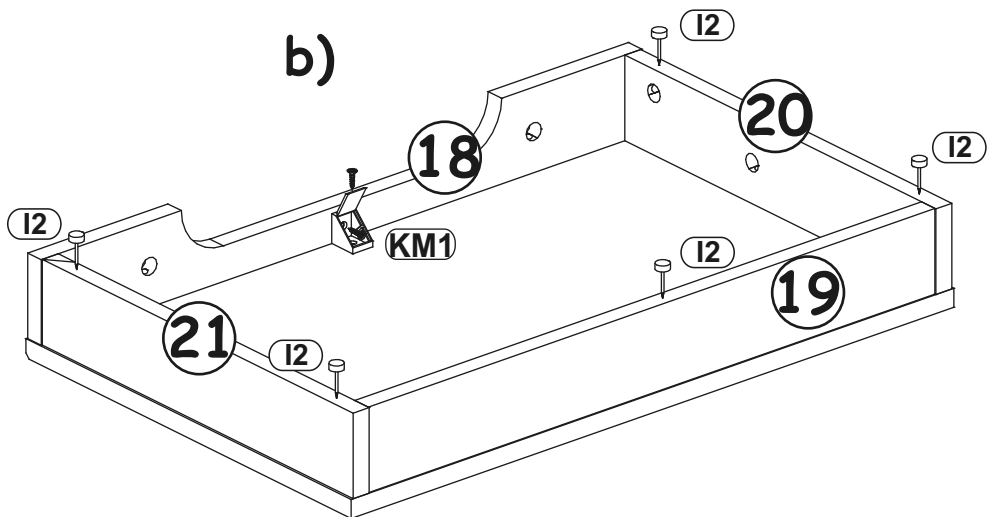
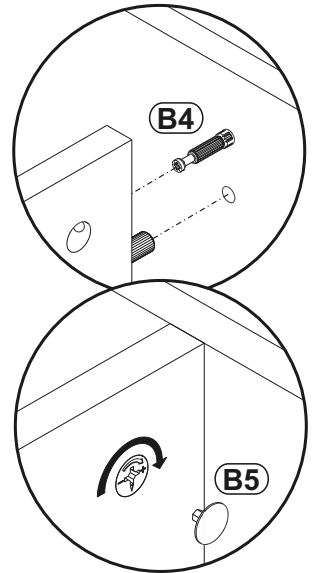
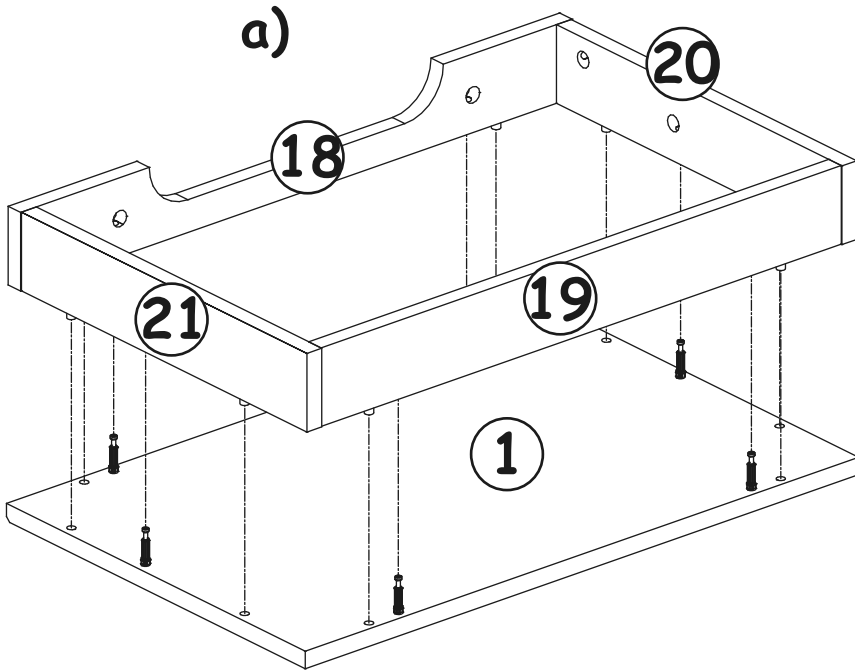
11

D10	
x2	USØ3,5x13

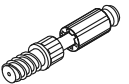
I2	
x5	

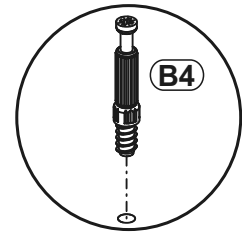
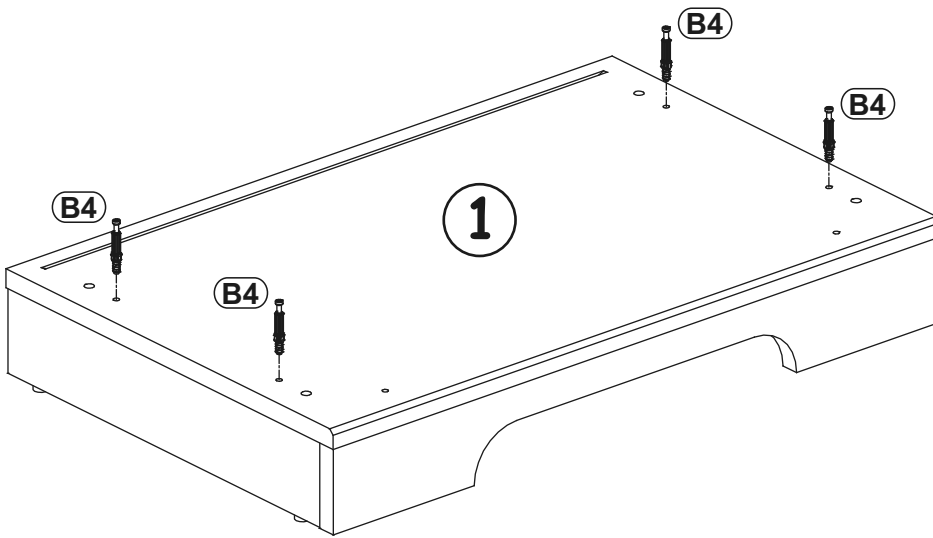
KM1	
x1	

G5	
x6	





12

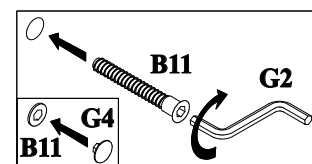
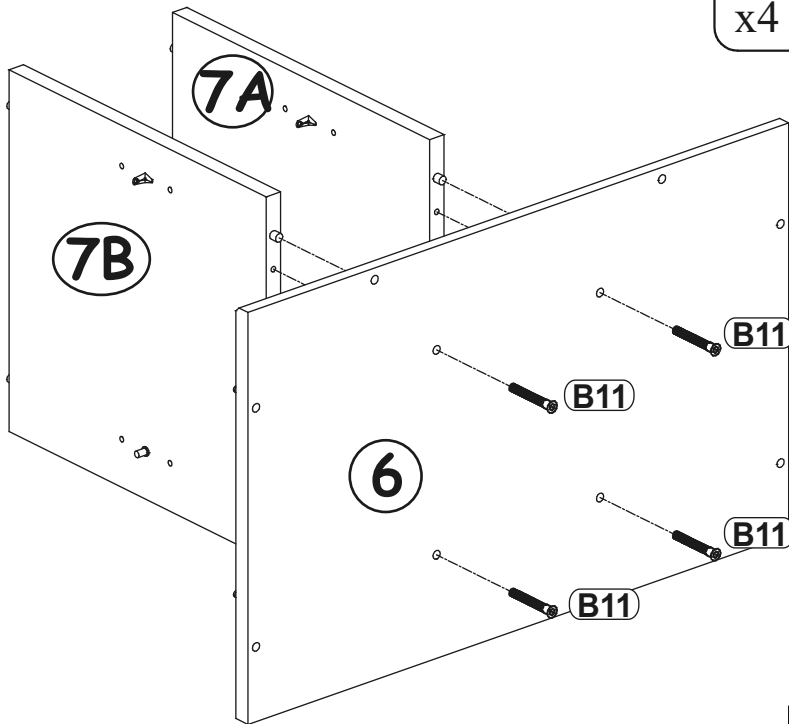
B4	
x4	




13


G4	
x4	

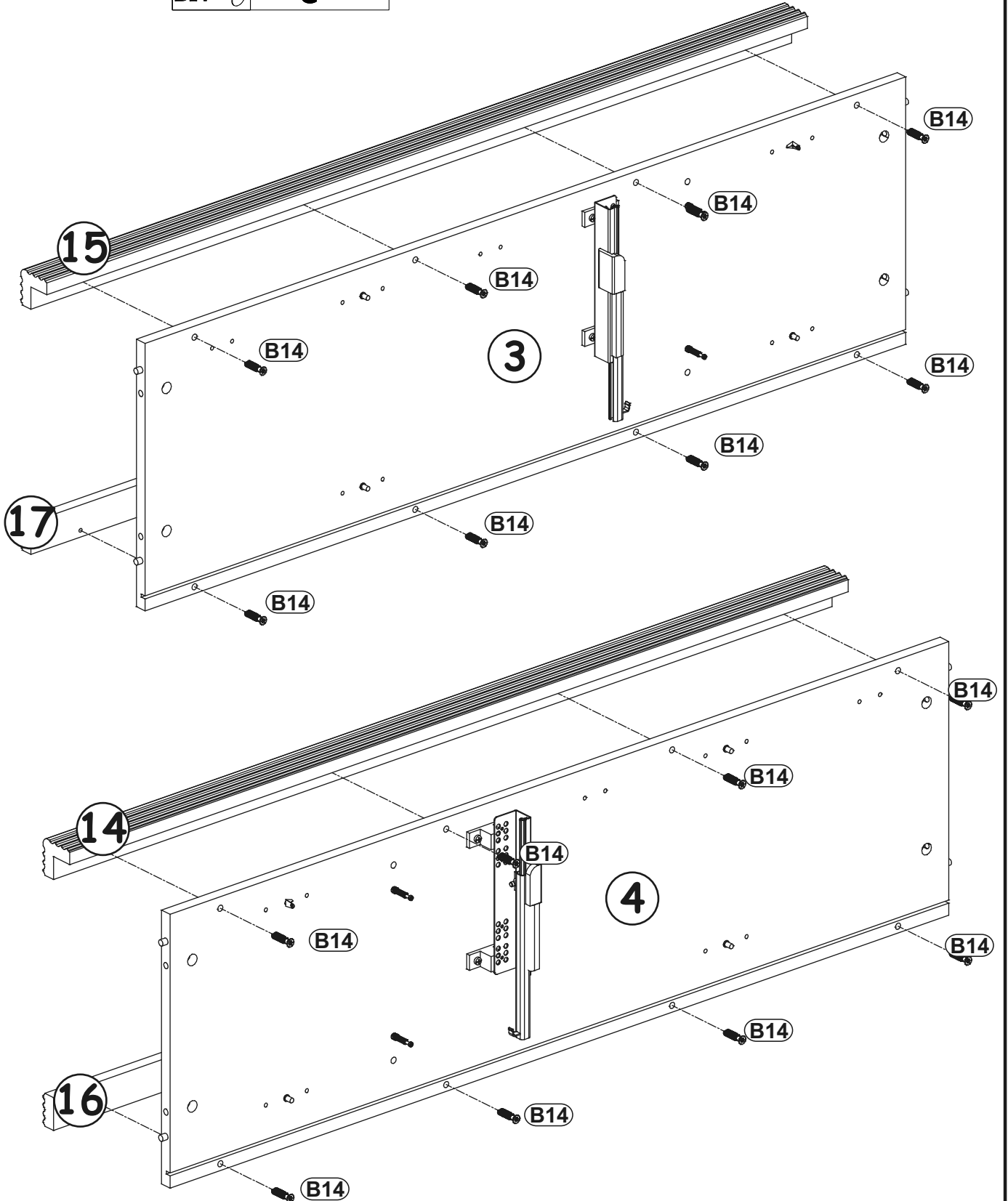
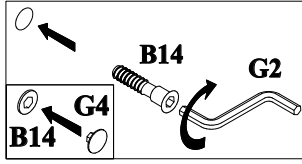
B11	
x4	Ø7x50




14

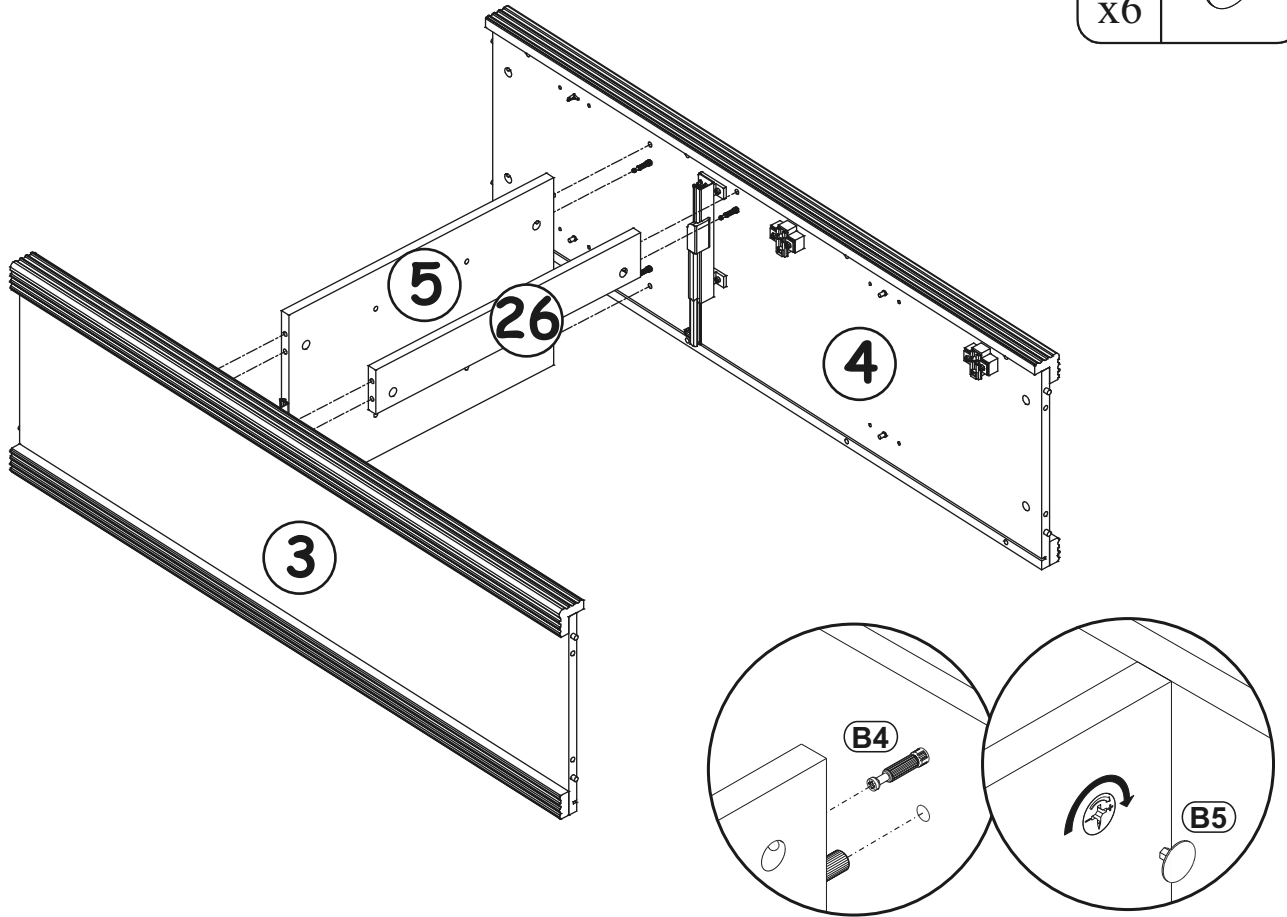
G4	
x16	

B14	
x16	Ø7x30

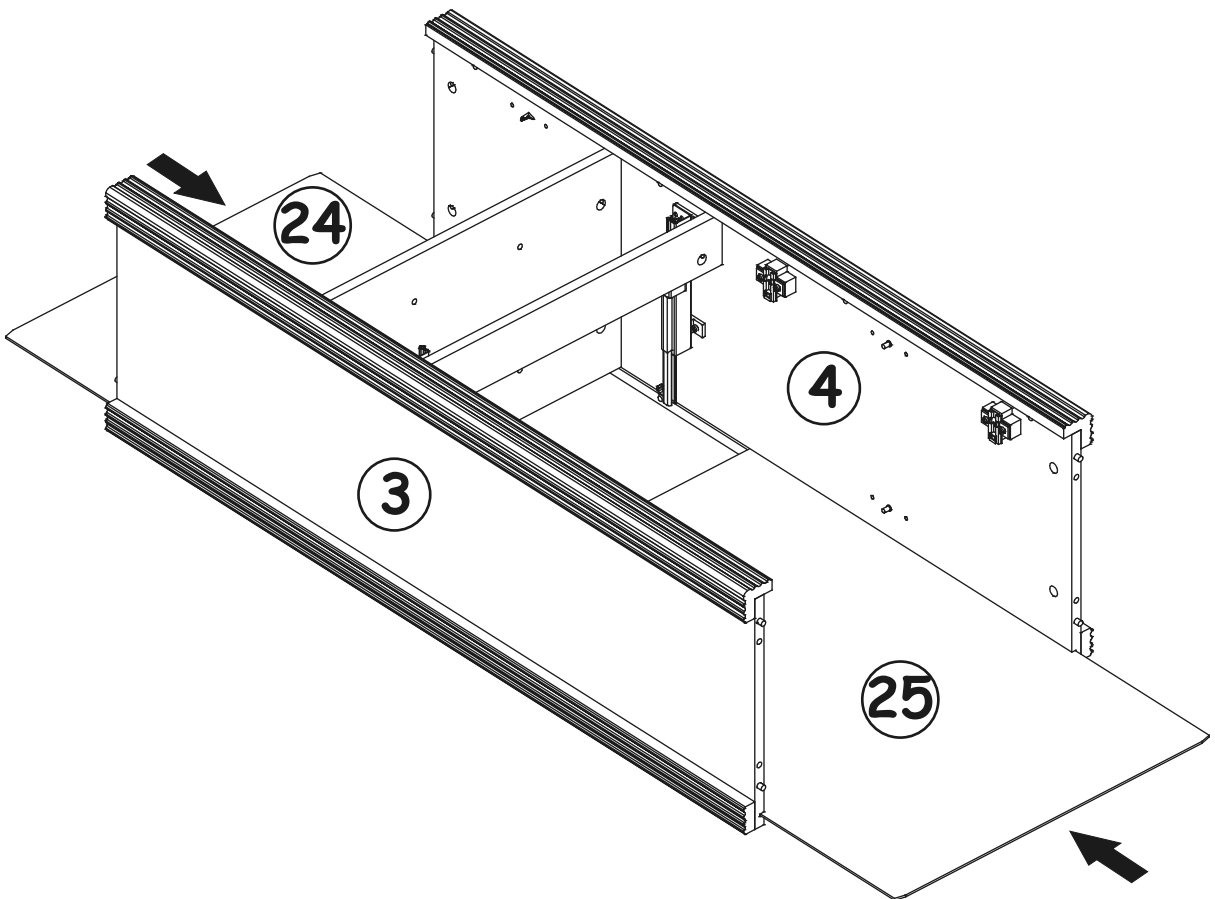


G5	
x6	

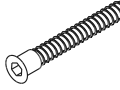
15





16

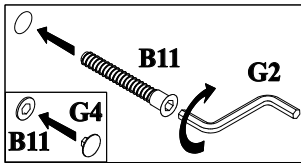
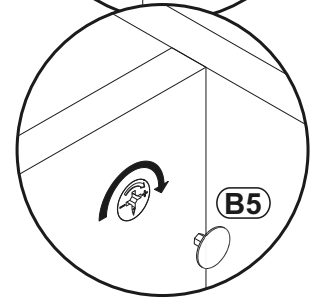
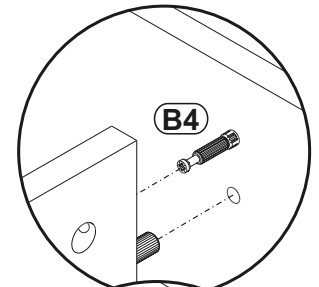
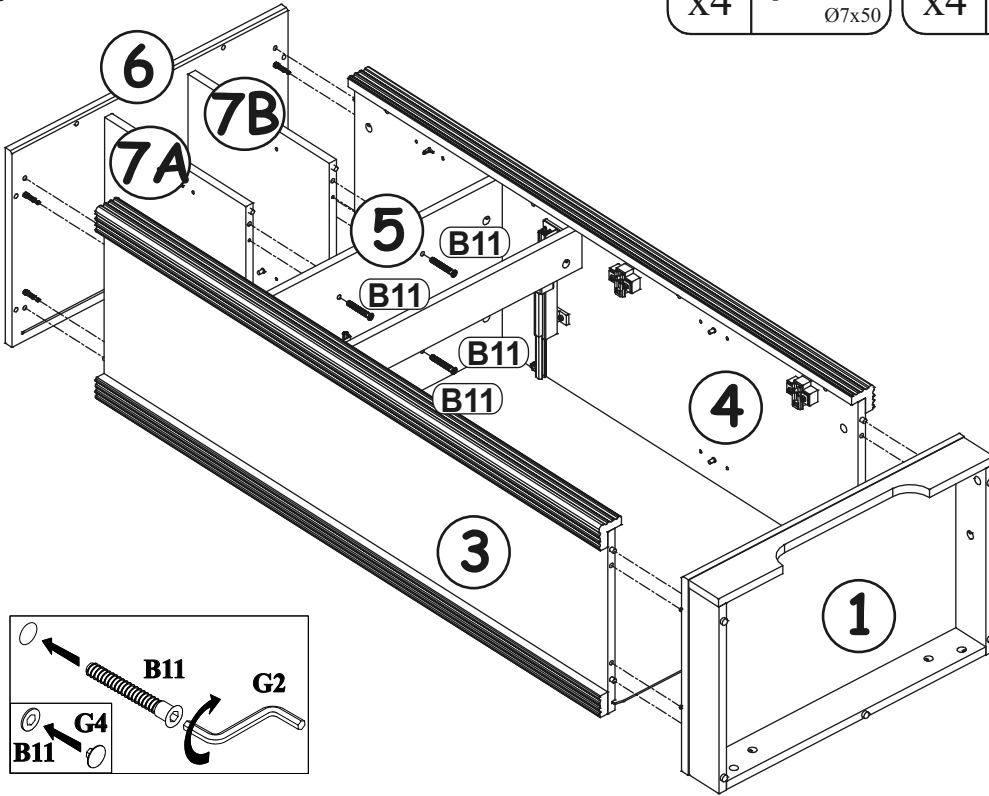


17

B11	
x4	Ø7x50


G4	
x4	

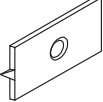
G5	
x8	

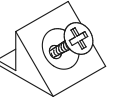


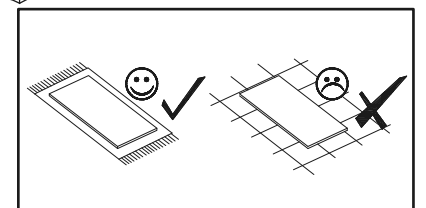
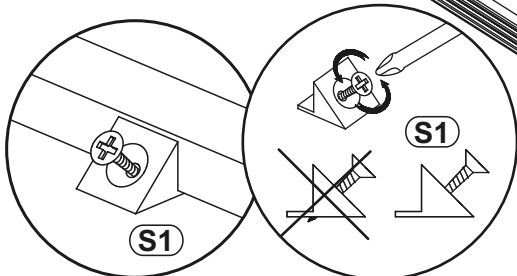
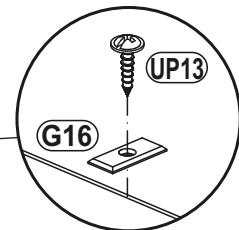
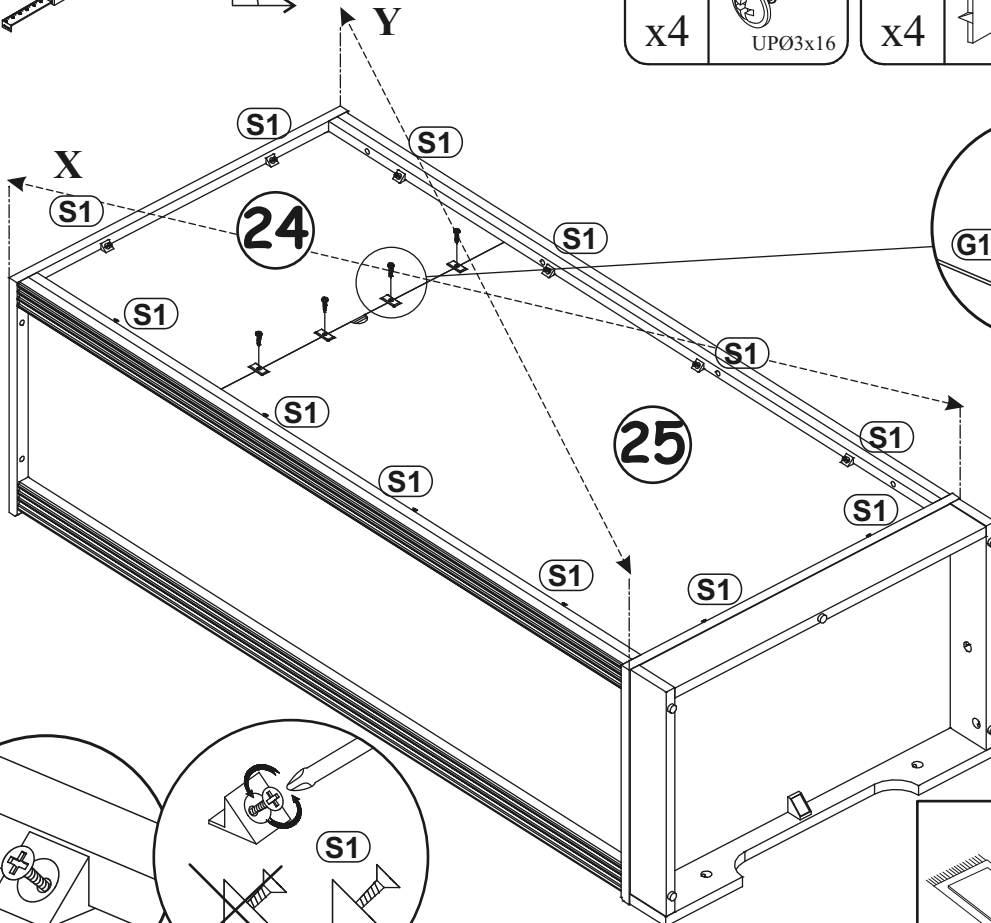
18



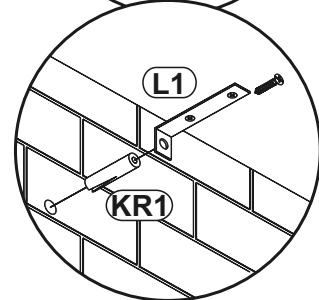
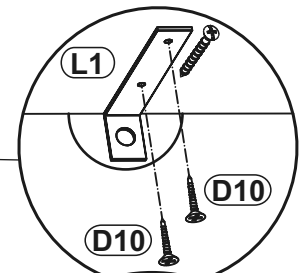
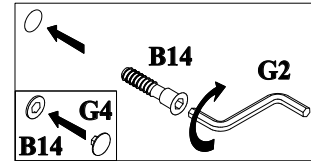
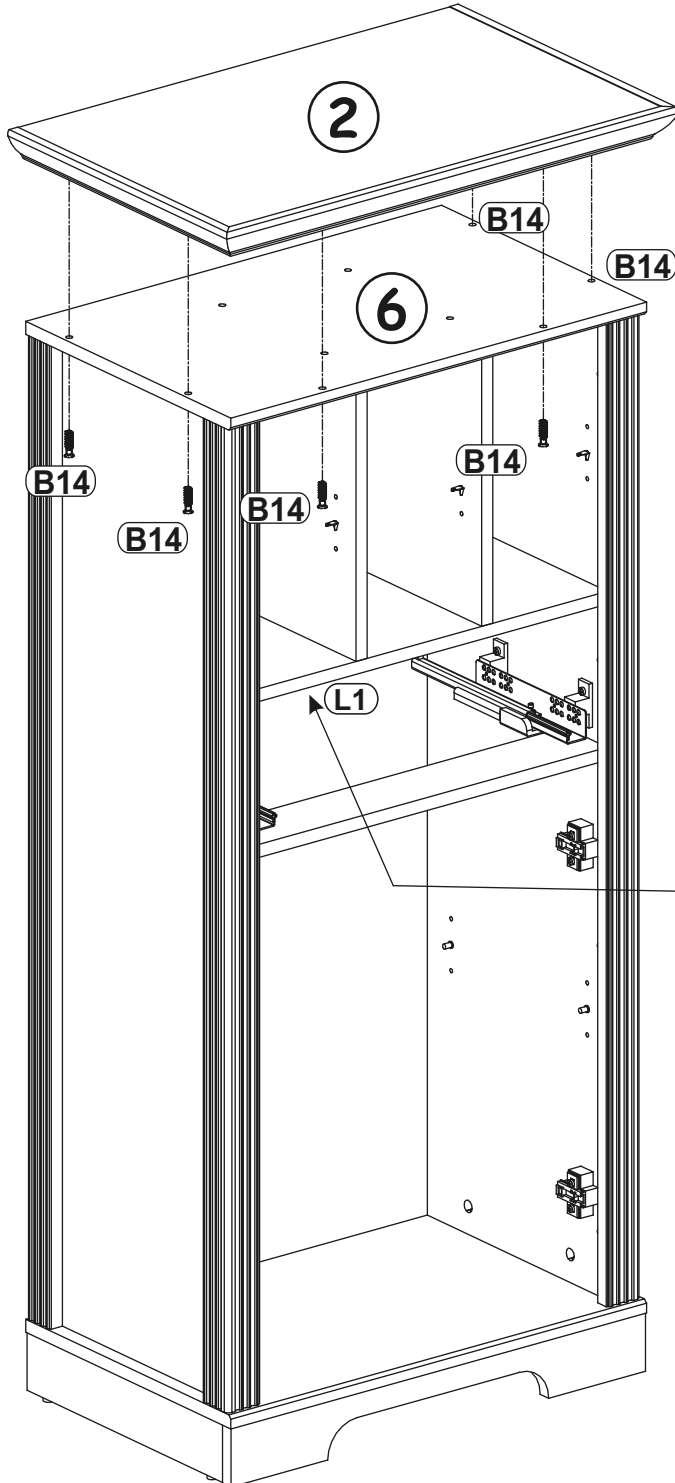
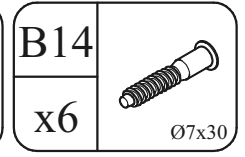
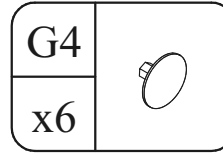
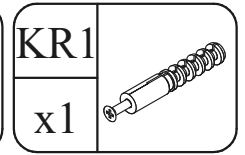
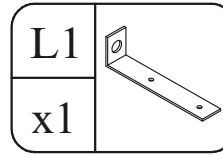
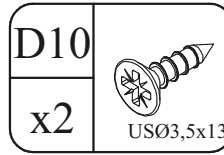
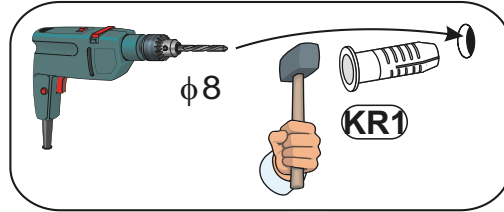
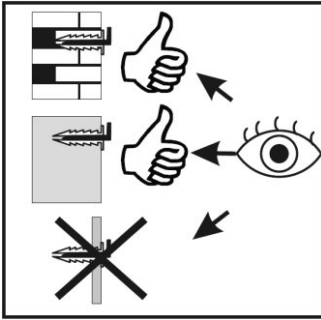
UP13	
x4	UPØ3x16

G16	
x4	

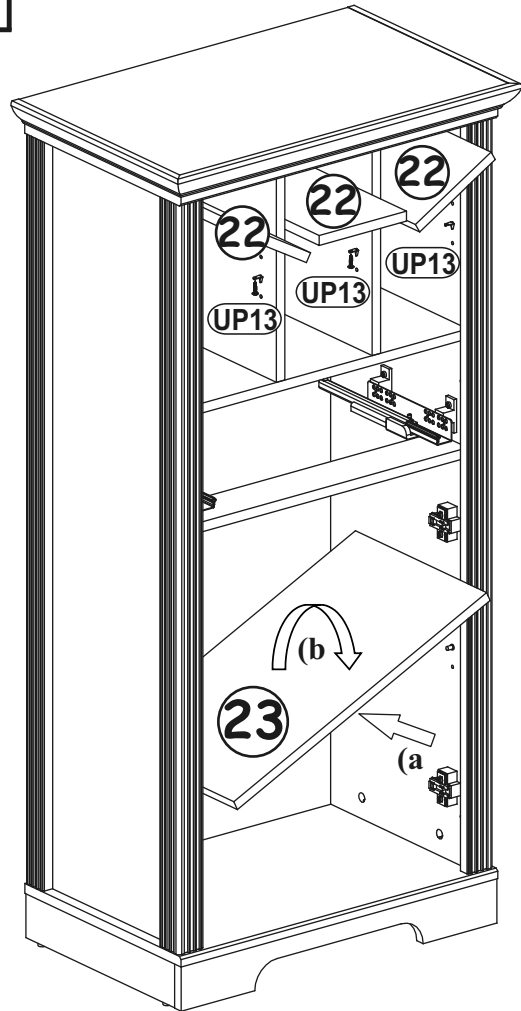
S1	
x12	




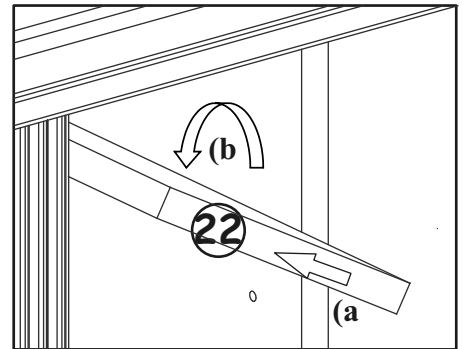
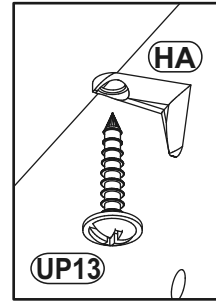
19



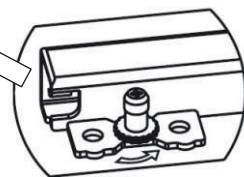
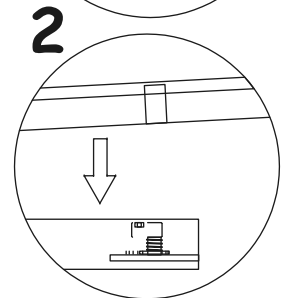
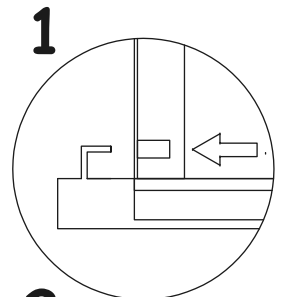
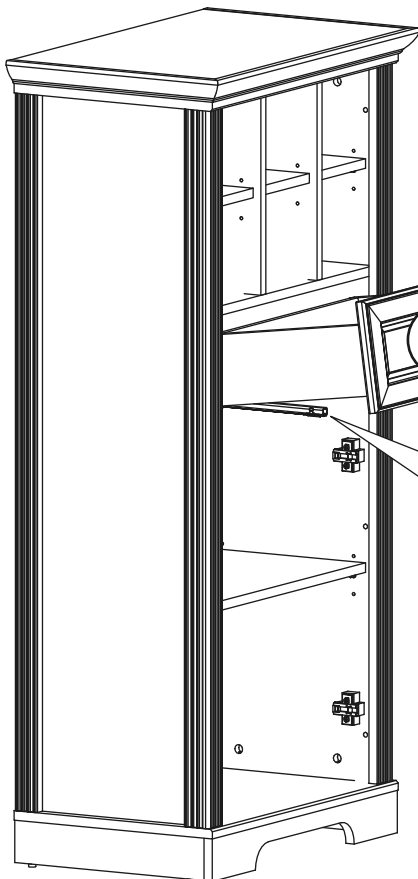
20



UP13	
x3	UPØ3x16

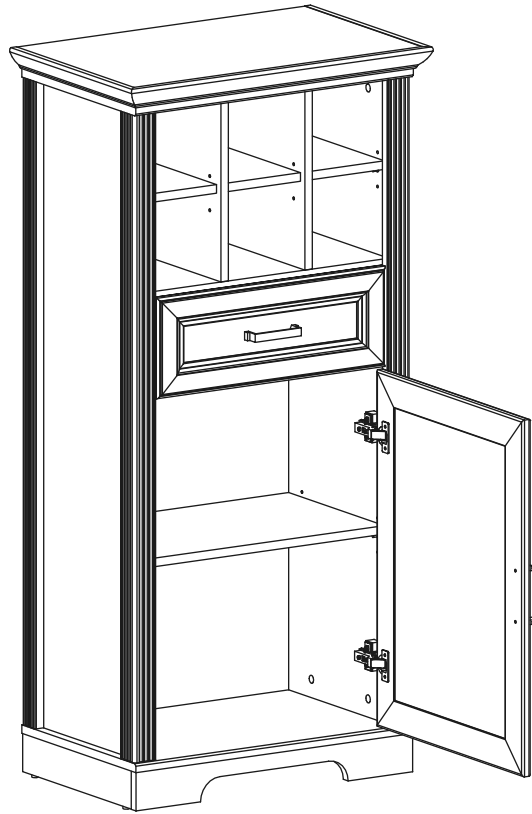


21

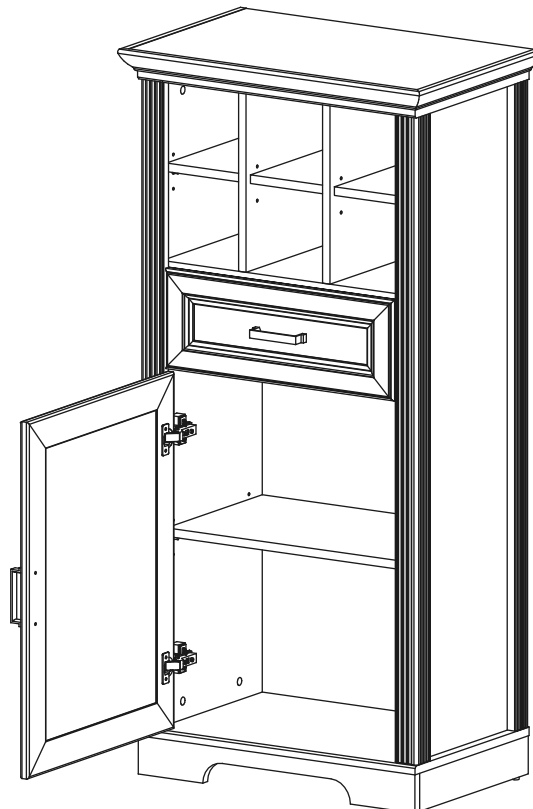


↑+4 mm

22 - 24

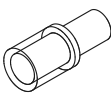


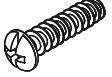
25 - 27

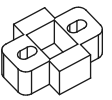


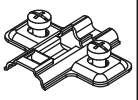



22

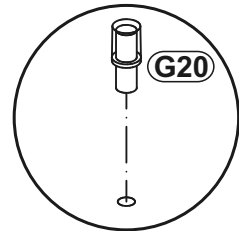
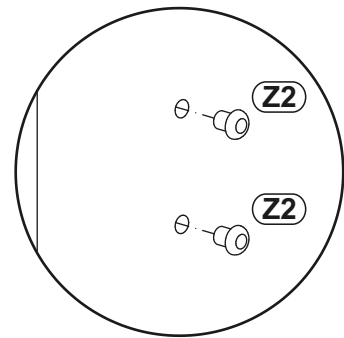
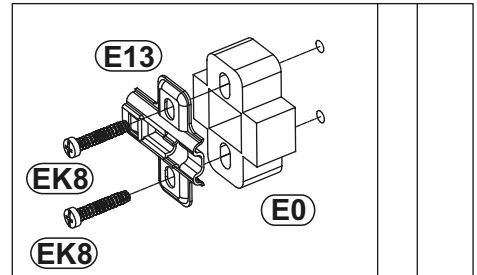
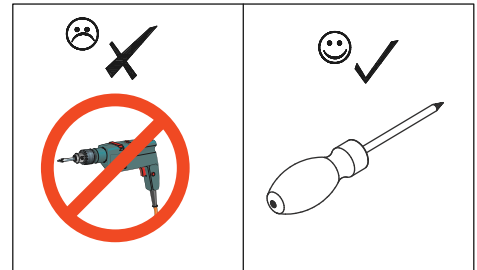
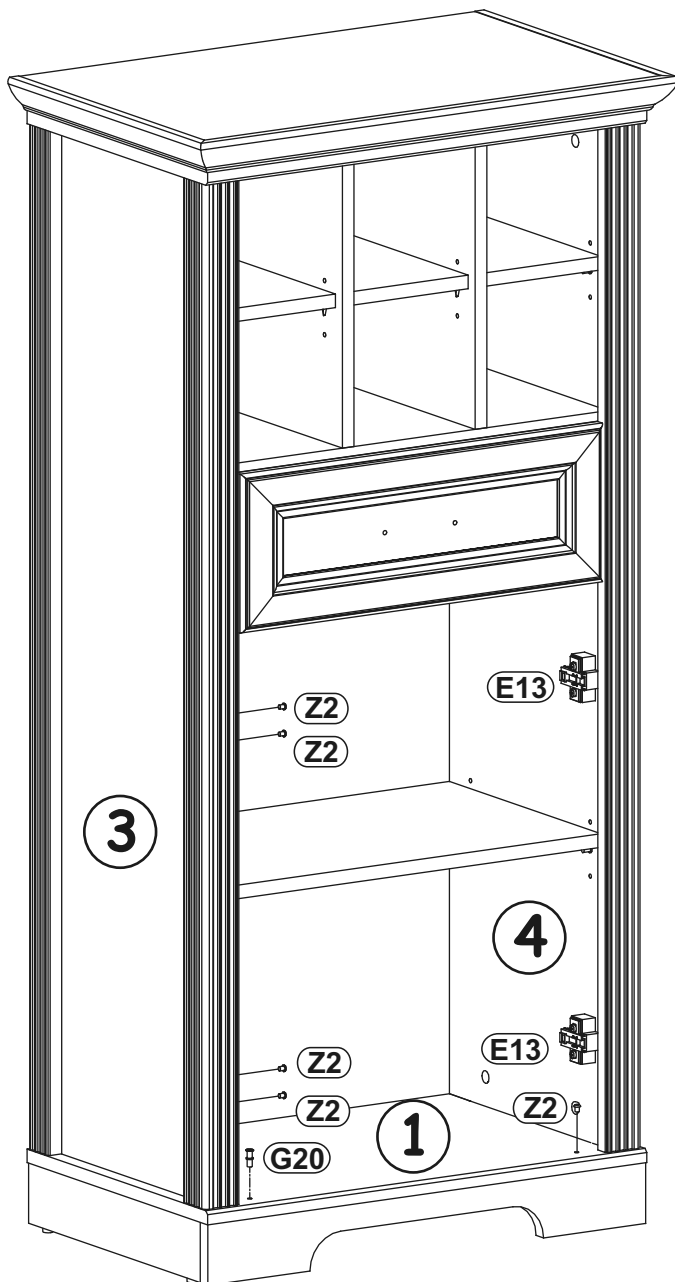
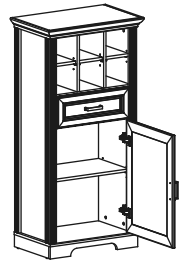
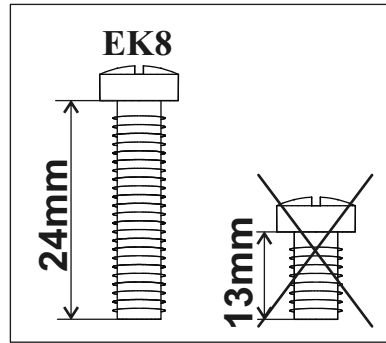
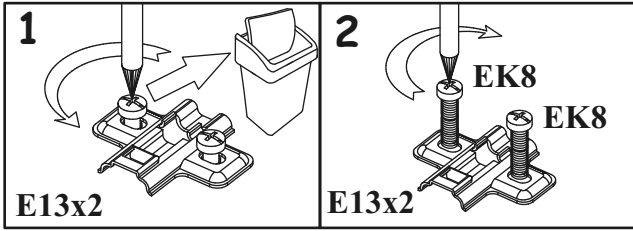
G20	
x1	

EK8	
x4	EKØ6,3x24

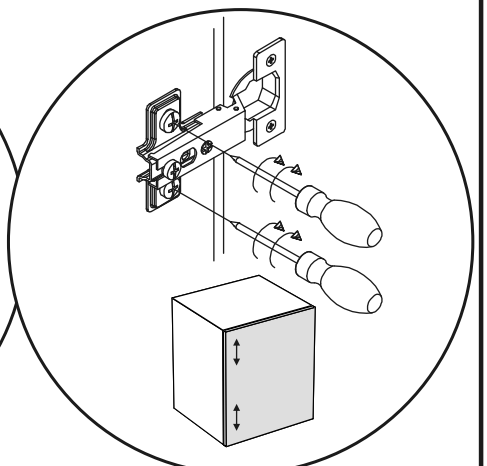
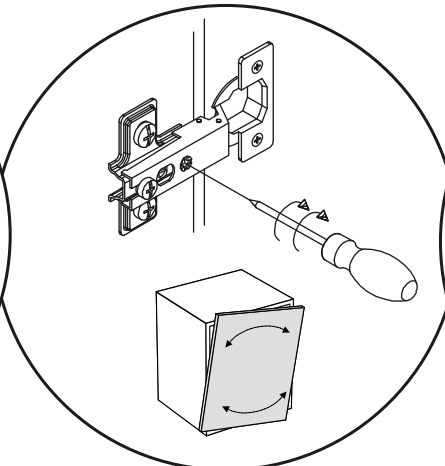
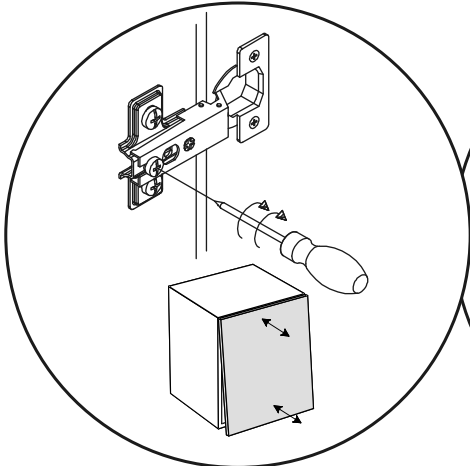
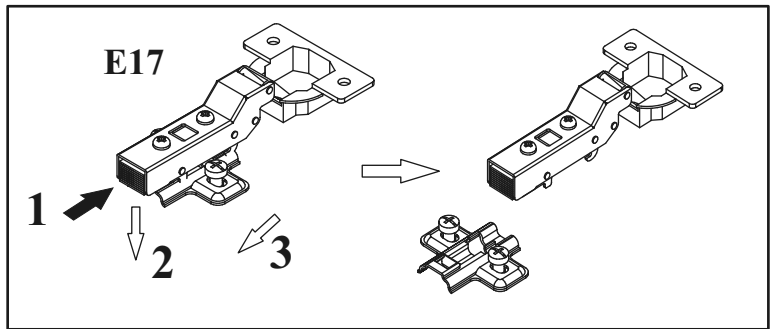
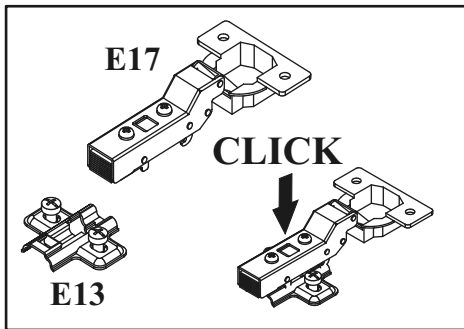
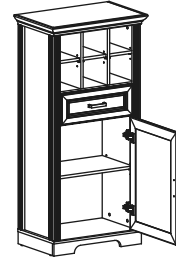
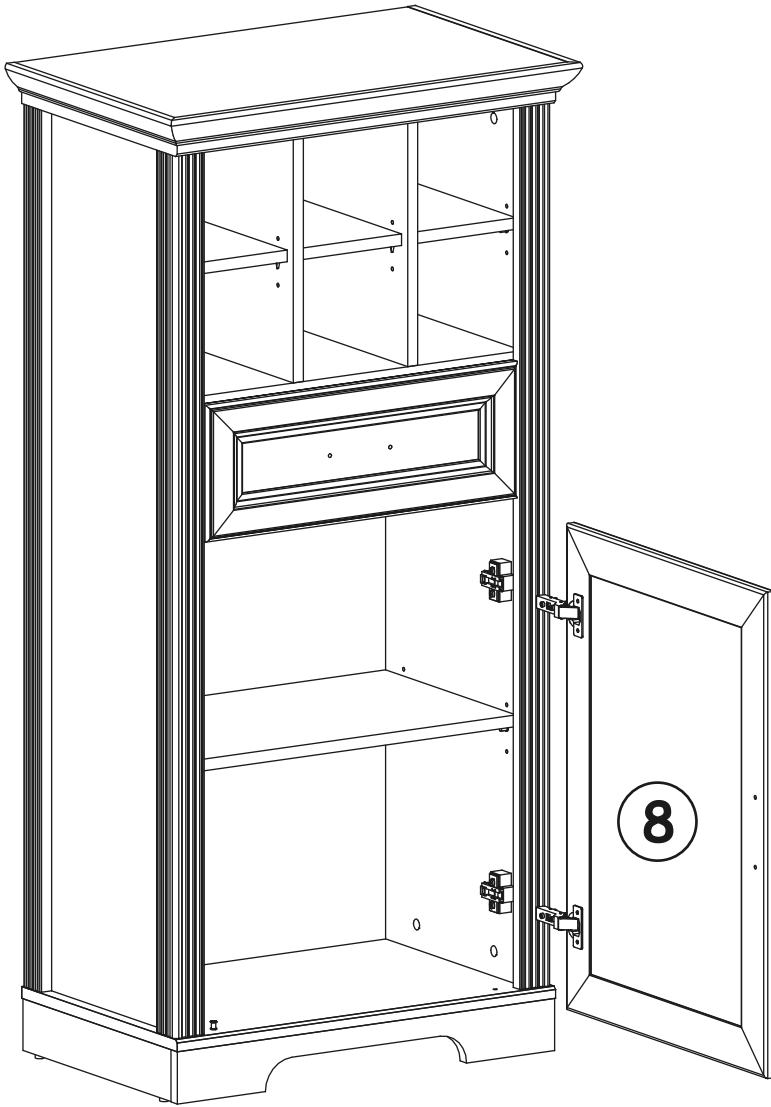
E0	
x2	H=11

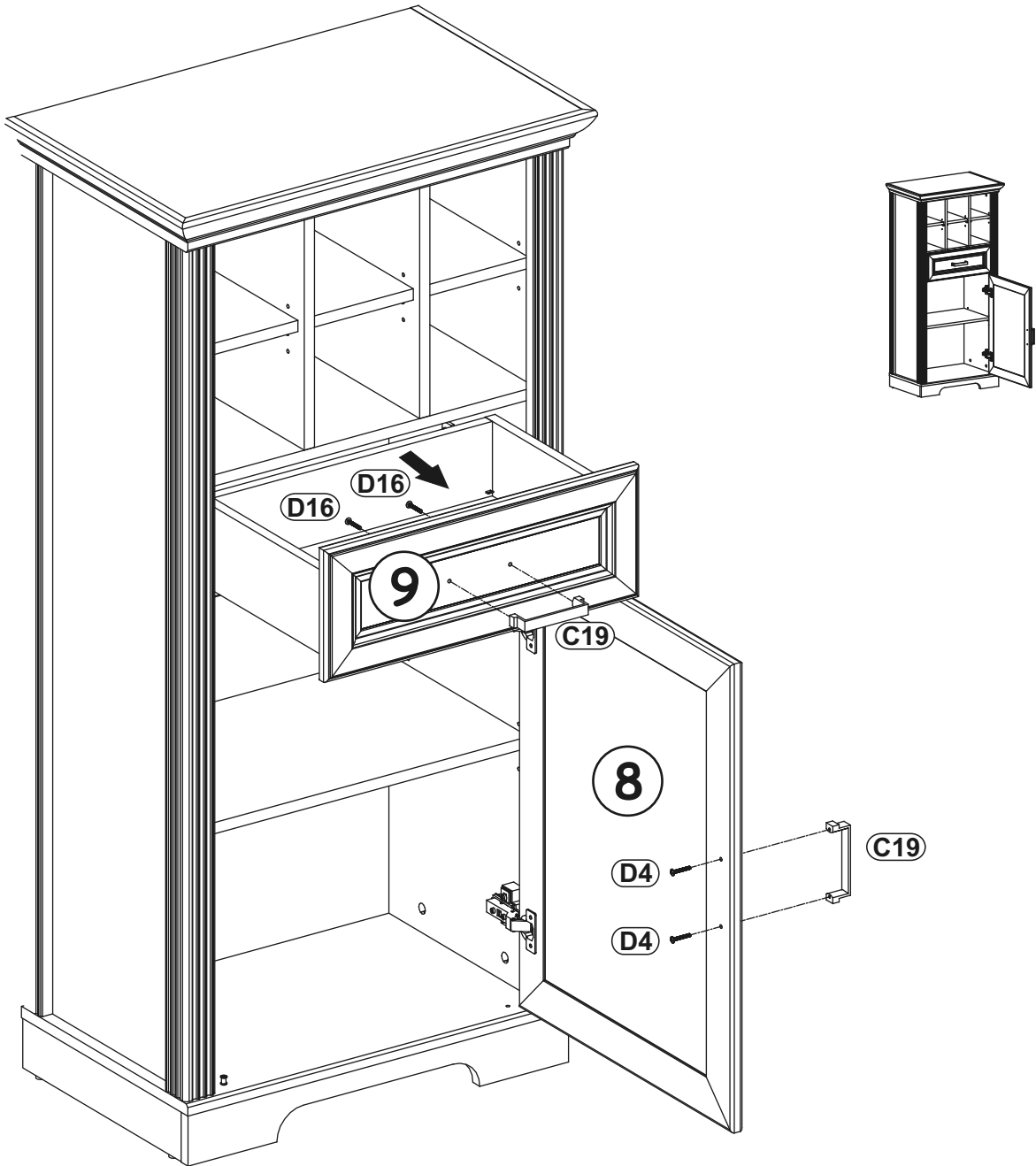
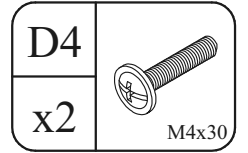
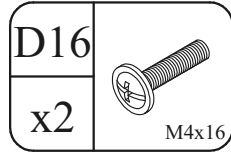
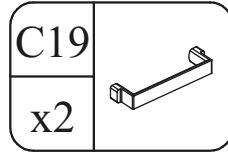
E13	
x2	H=2

Z2	
x5	Ø5

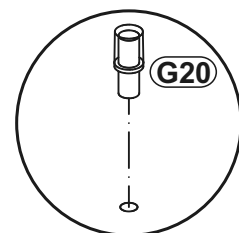
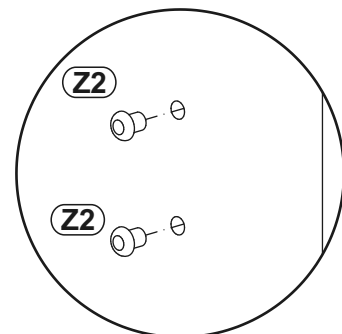
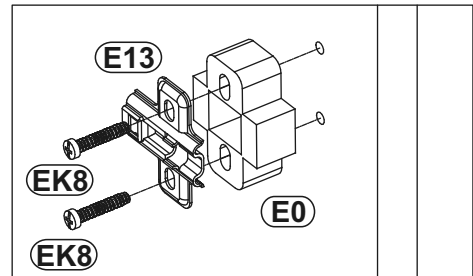
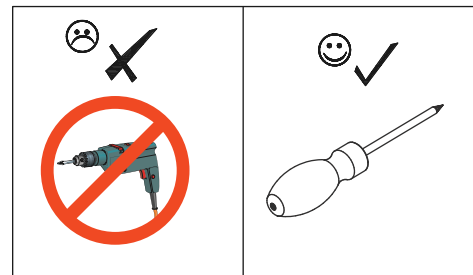
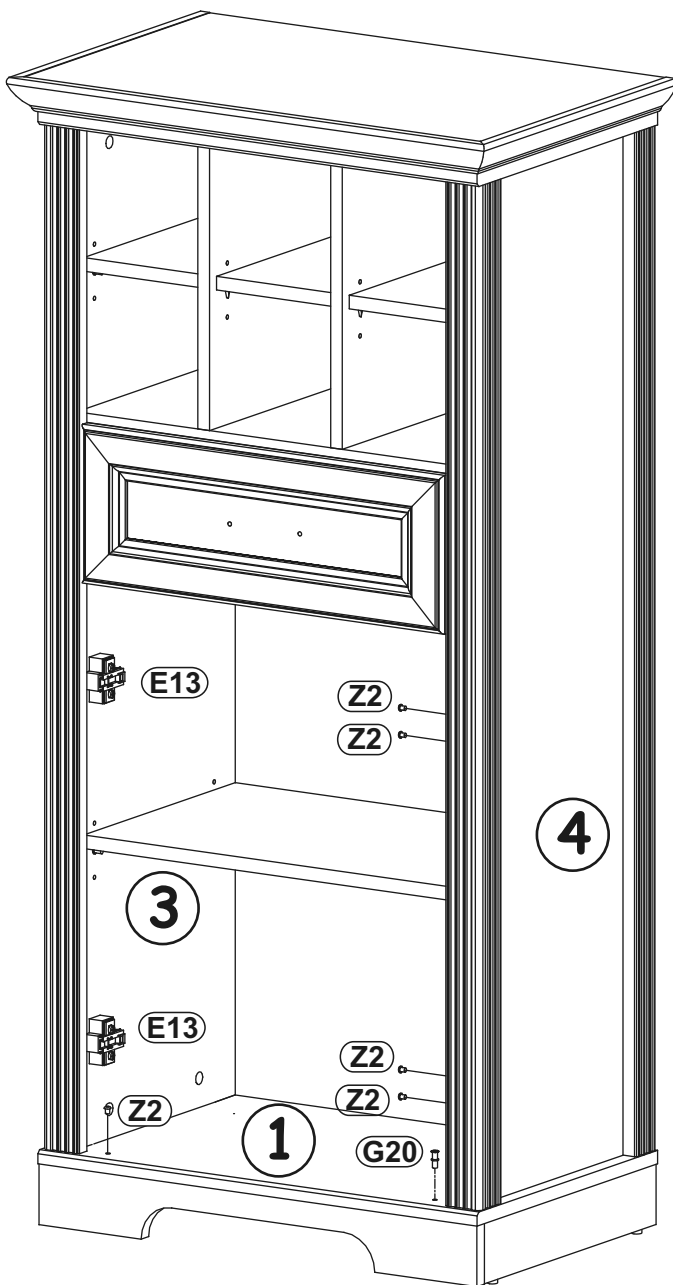
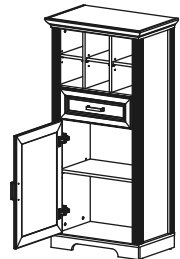
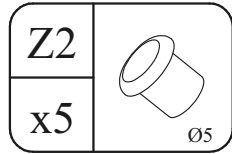
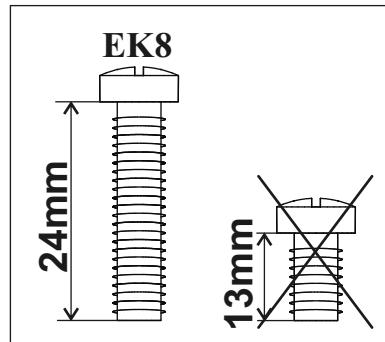
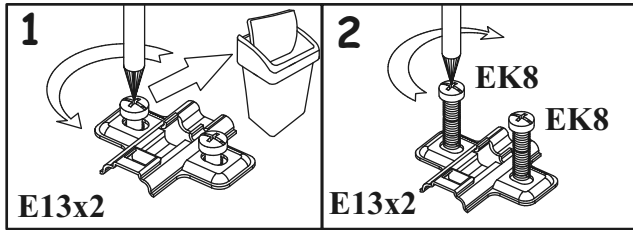
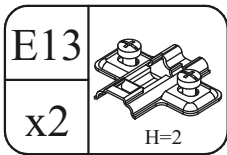
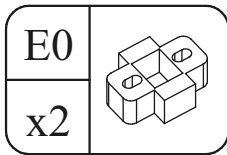
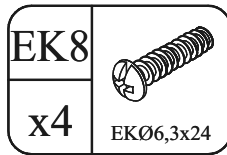
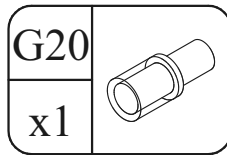


23





25



26

