

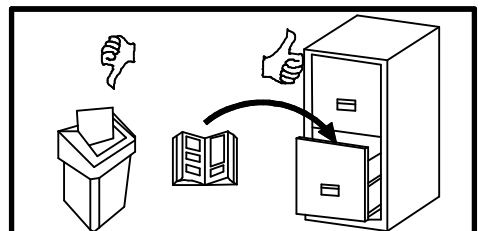
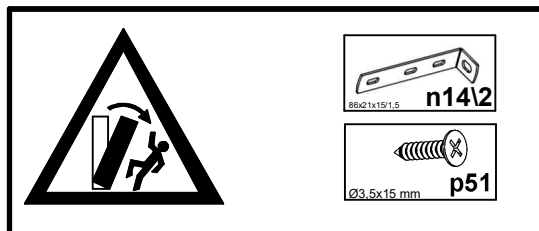
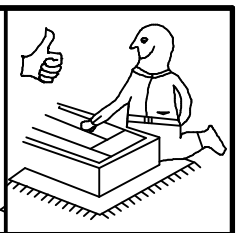
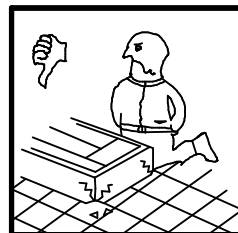
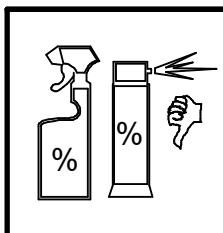
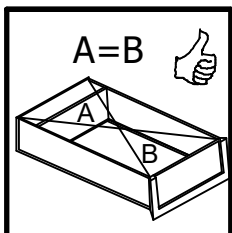
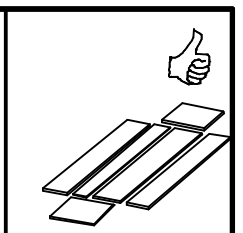
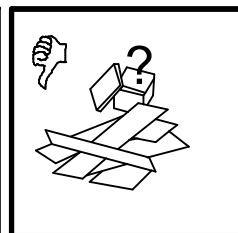
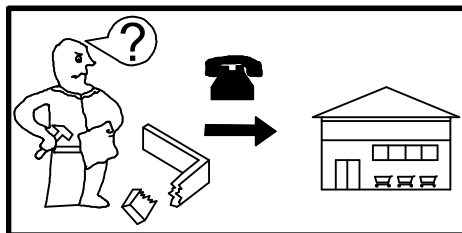
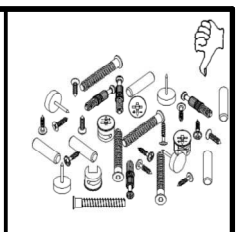
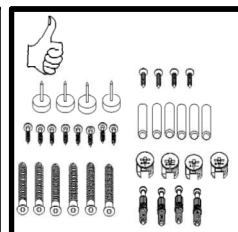
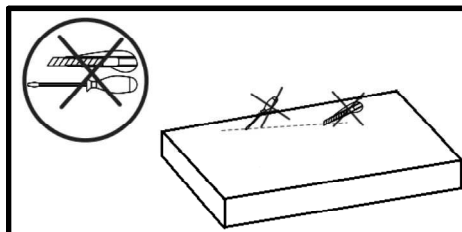
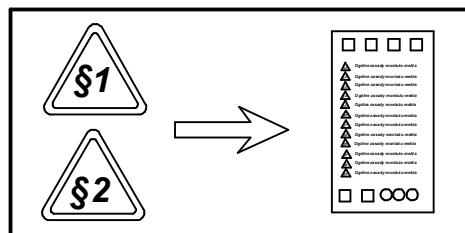
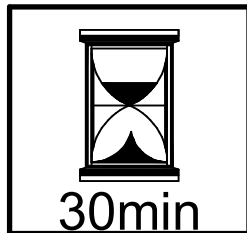
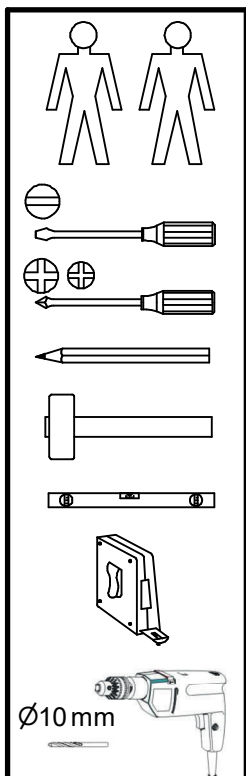
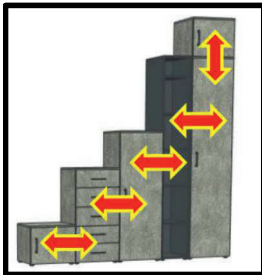
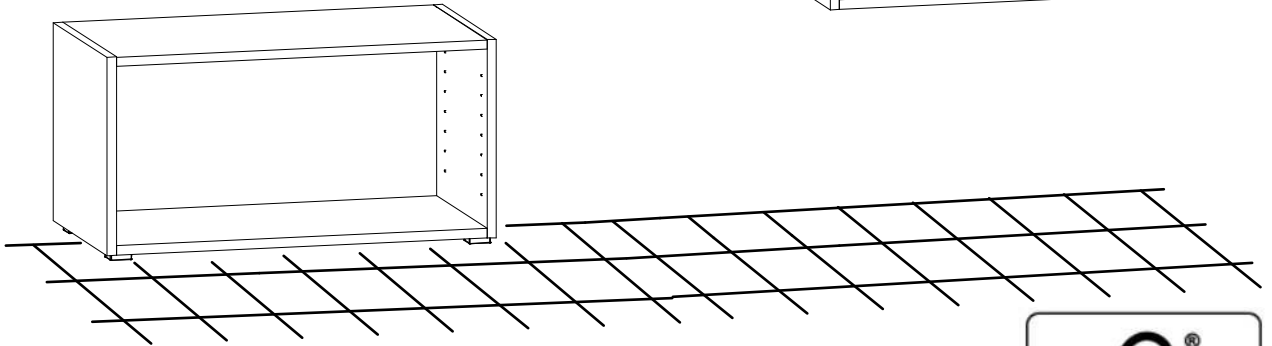
242702--08  
13450243--  
5109241  
5109242  
5109243



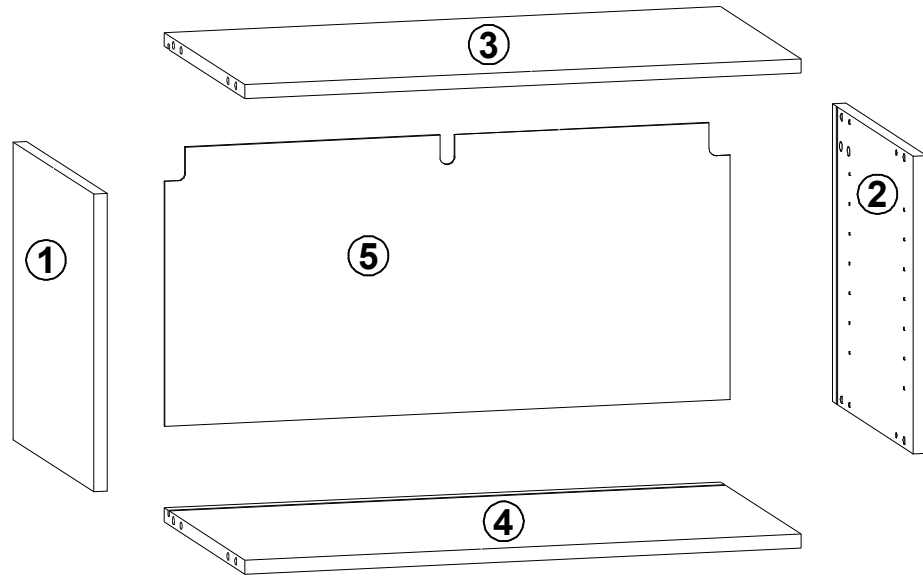
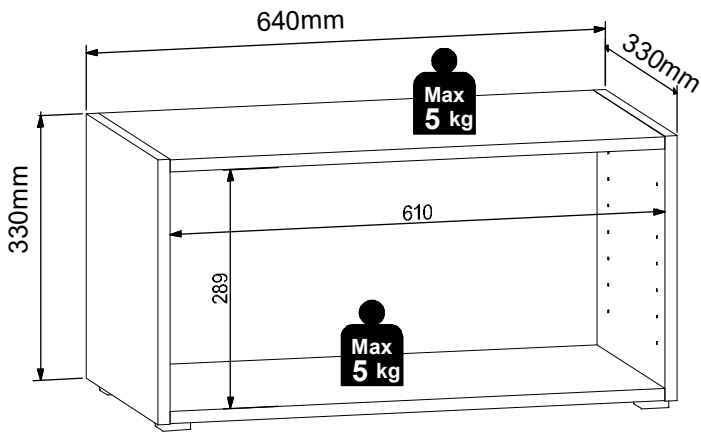
B



A

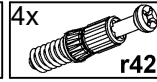
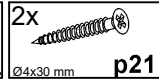
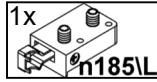


A	B1	B2	C1	C2	C3	D
1	S707-1005	-	320	330	15	1/1
2	S707-1006	-	320	330	15	1/1
3	S707-3001	-	610	330	15	1/1
4	S707-3002	-	610	330	15	1/1
5	S707-9001	-	299	620	2,5	1/1

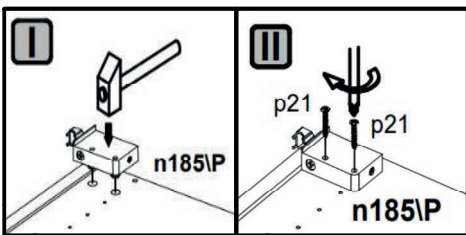
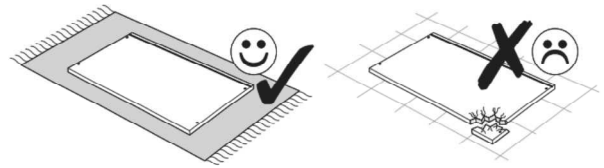
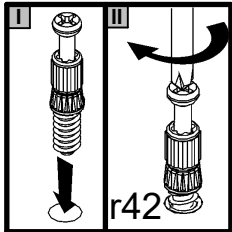
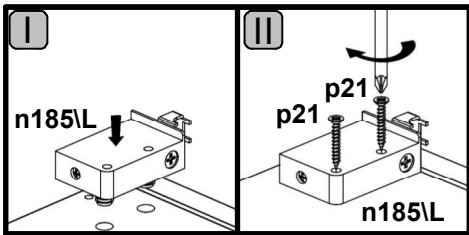
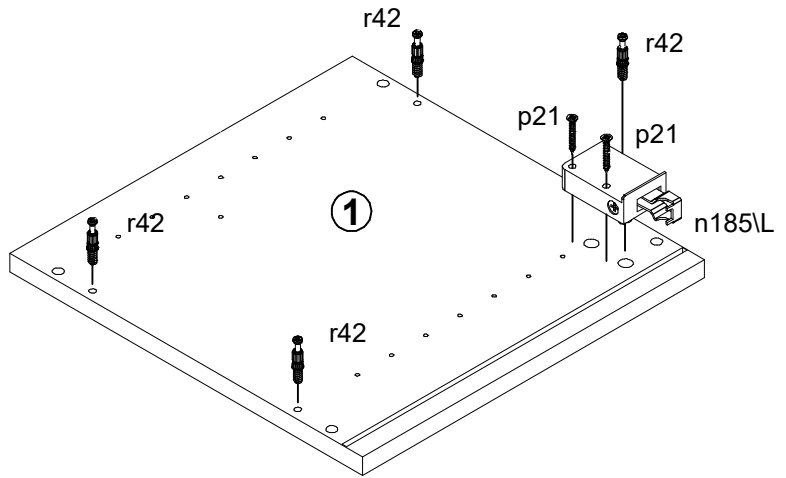


- |                        |                           |                          |                       |                             |
|------------------------|---------------------------|--------------------------|-----------------------|-----------------------------|
| 8x<br>Ø8x30 mm<br>f1   | 2x<br>Ø10x50 mm<br>f35    | 5x<br>35x35x10 mm<br>k73 | 4x<br>l2              | 1x<br>88x21x15/1,5<br>n14/2 |
| 1x<br>n185L            | 1x<br>n185P               | 4x<br>Ø4x30 mm<br>p21    | 2x<br>Ø4x25 mm<br>p36 | 7x<br>Ø3,5x15 mm<br>p51     |
| 2x<br>Ø6x60 mm<br>p127 | 8x<br>Ø15x12 mm #16<br>r1 | 8x<br>20/11<br>r42       | 6x<br>Ø16<br>s2       | 5x<br>Ø8mm<br>s6            |
| 2x<br>Ø20mm<br>s68     |                           |                          |                       |                             |

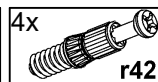
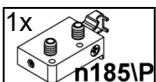
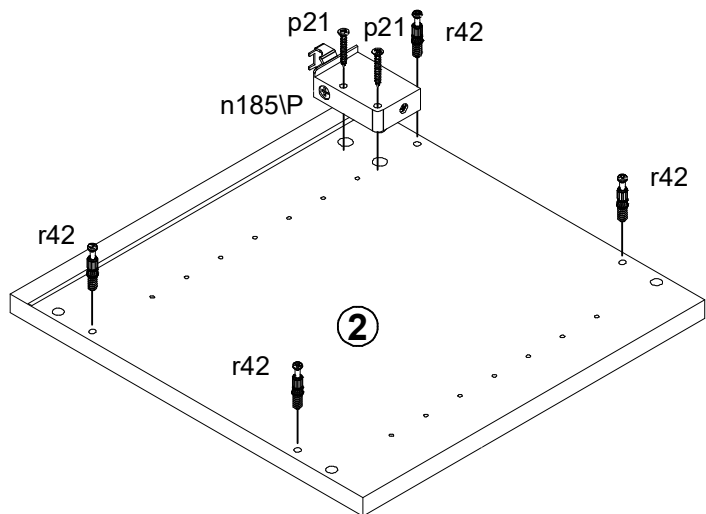


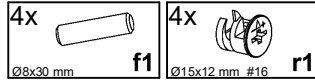


1 ▶

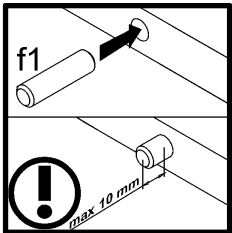
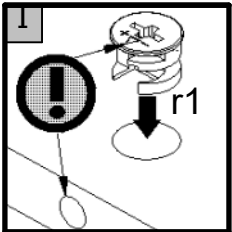
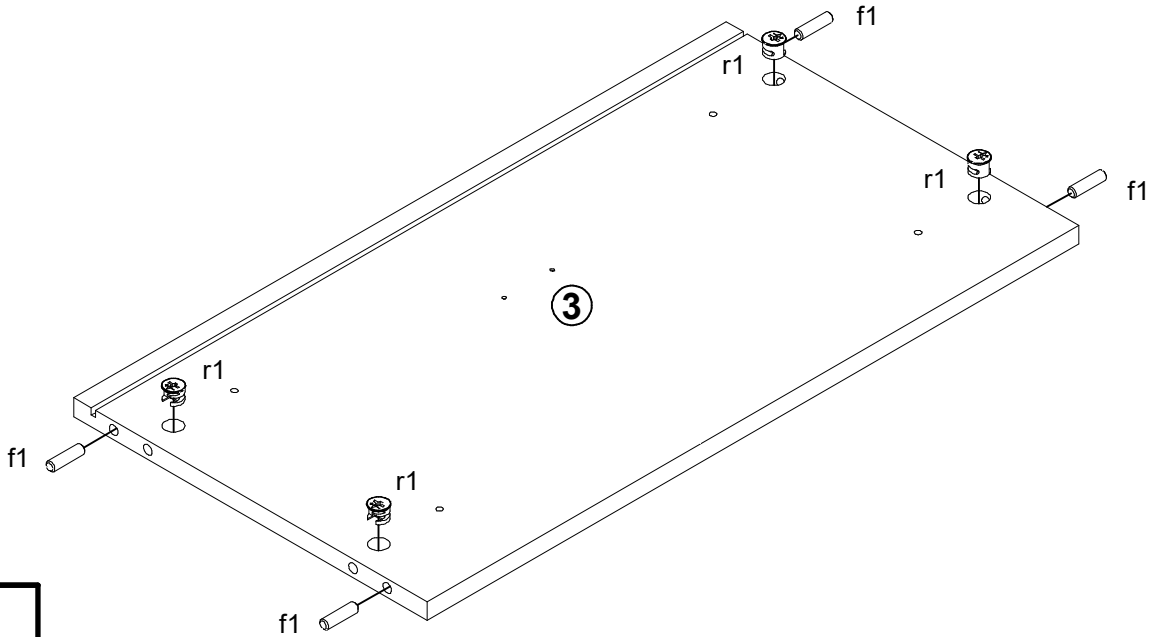


2 ▶

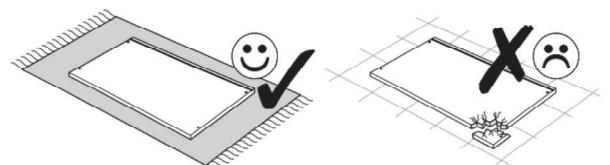
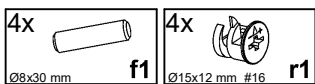
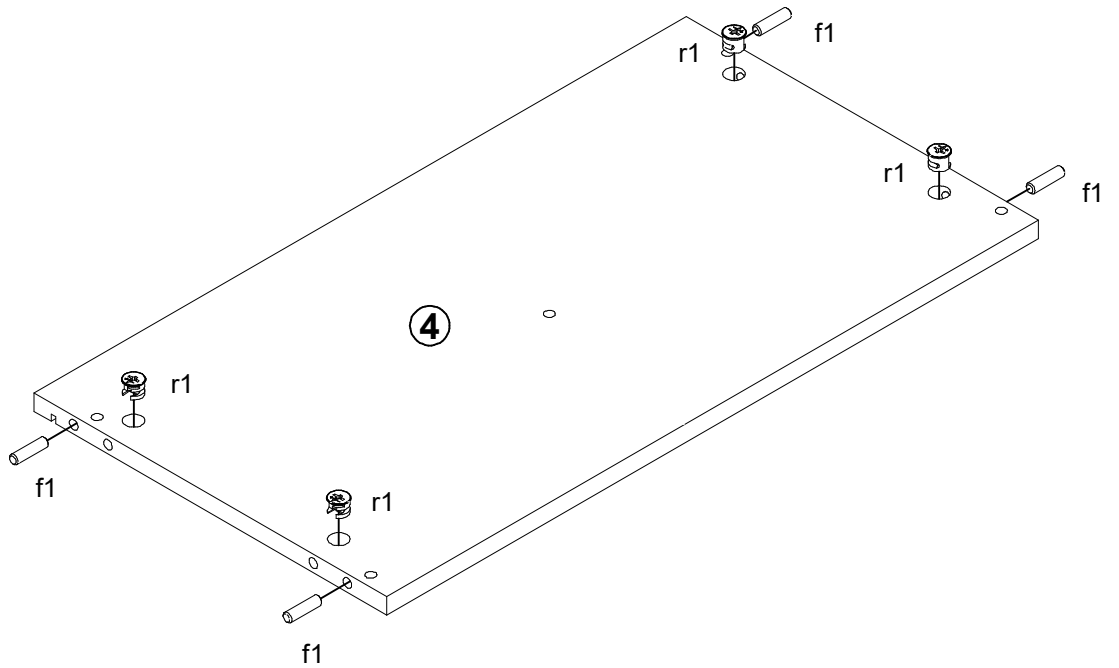




3 ▶

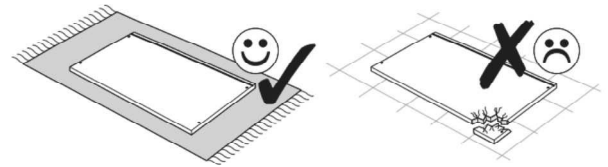
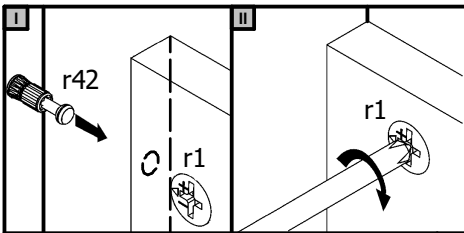
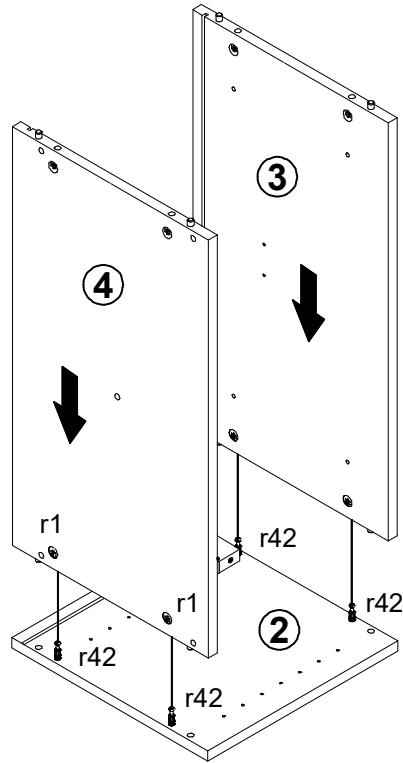


4 ▶

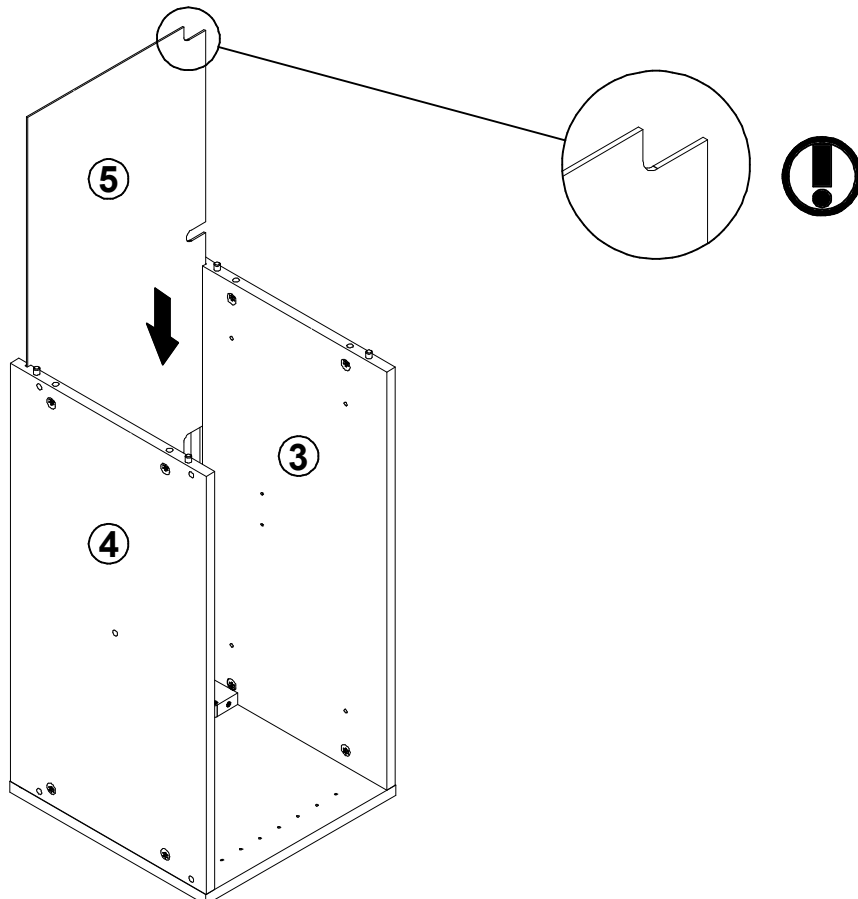




5 ▶

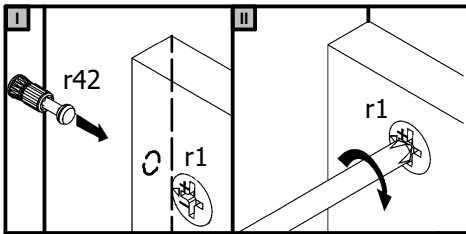
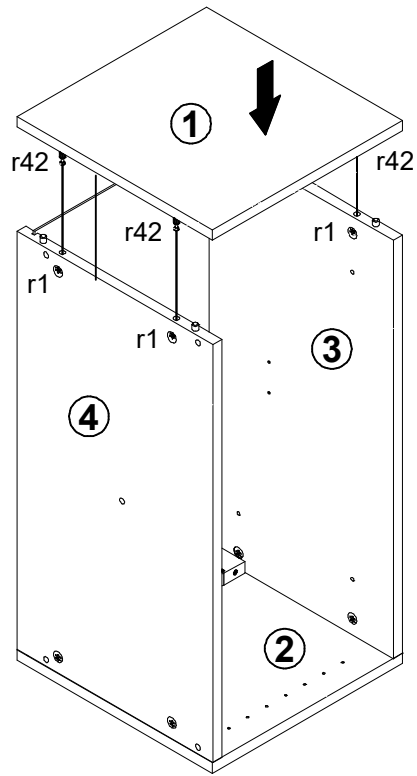


6 ▶

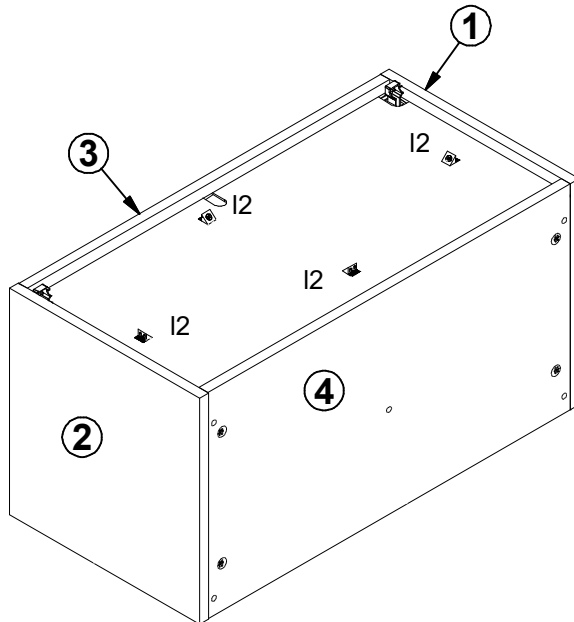




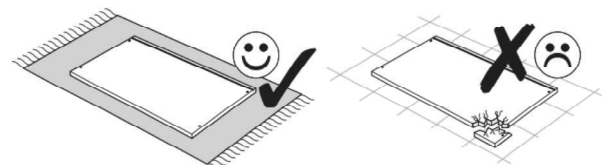
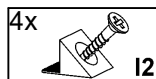
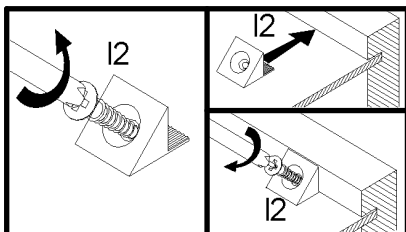
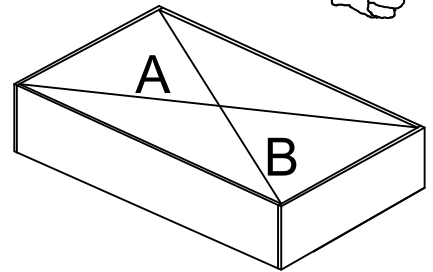
7 ▶

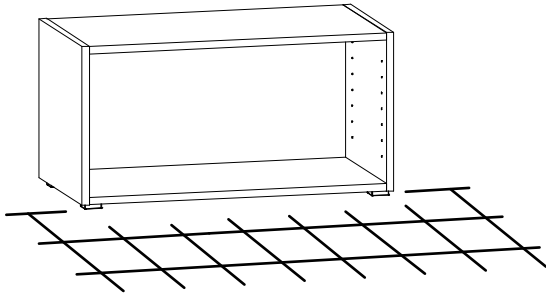


8 ▶

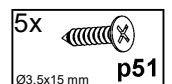
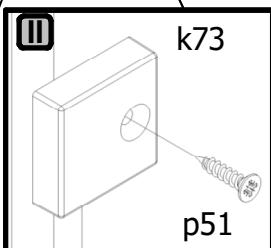
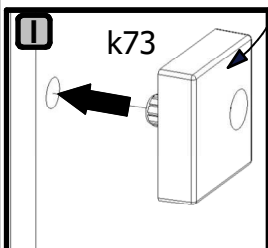
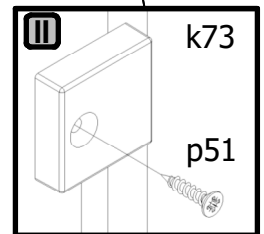
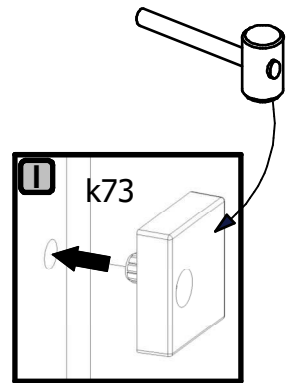
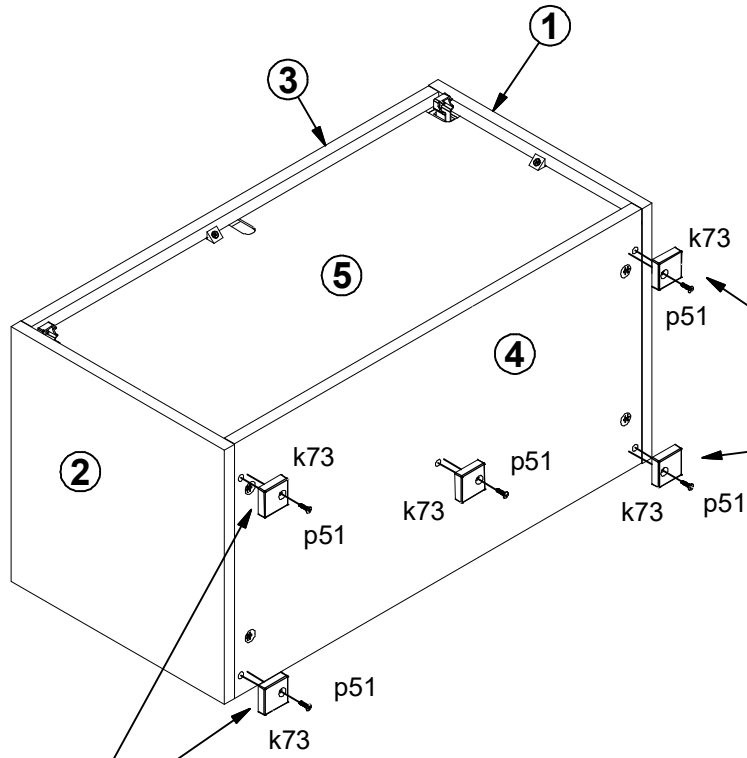


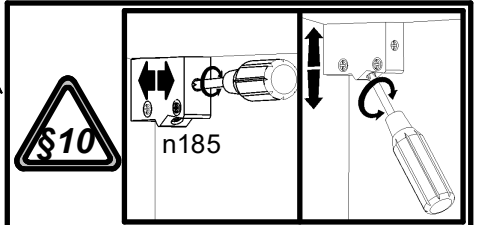
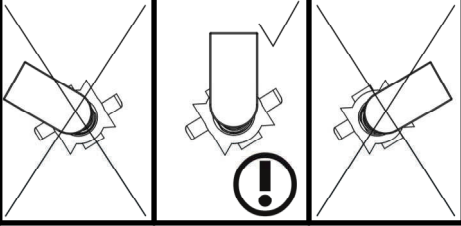
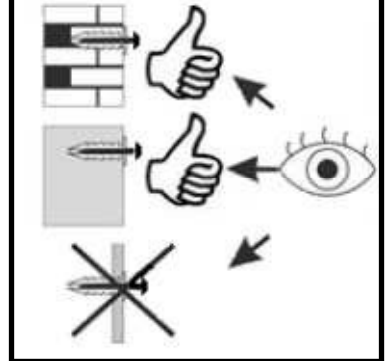
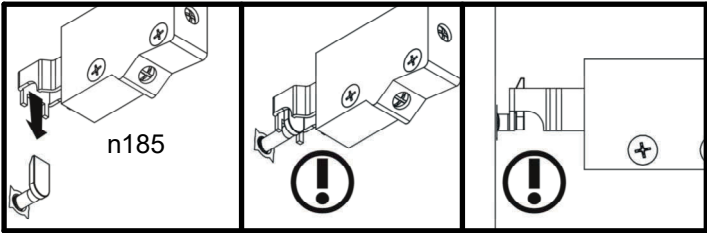
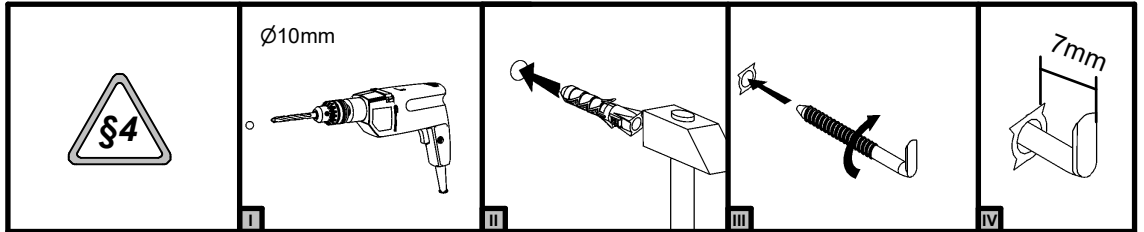
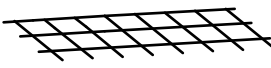
A=B





9 ▶

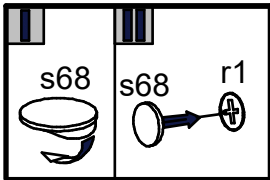
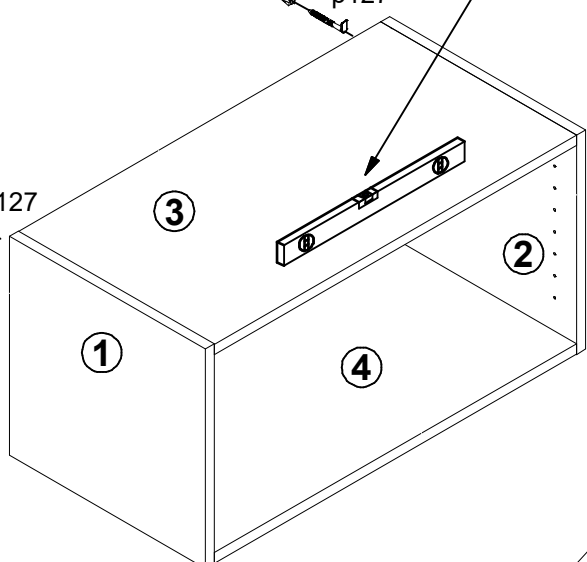




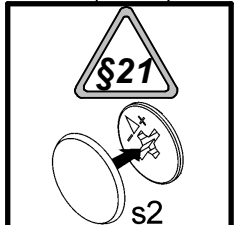
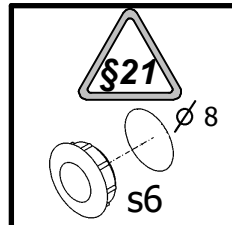
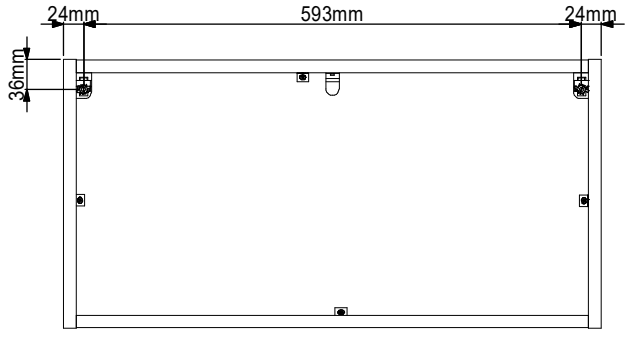
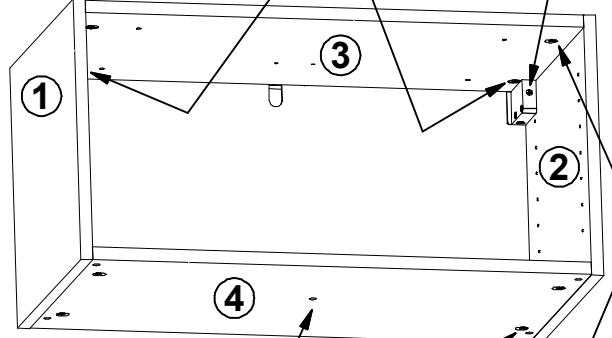
f35 p127

9

f35 p127



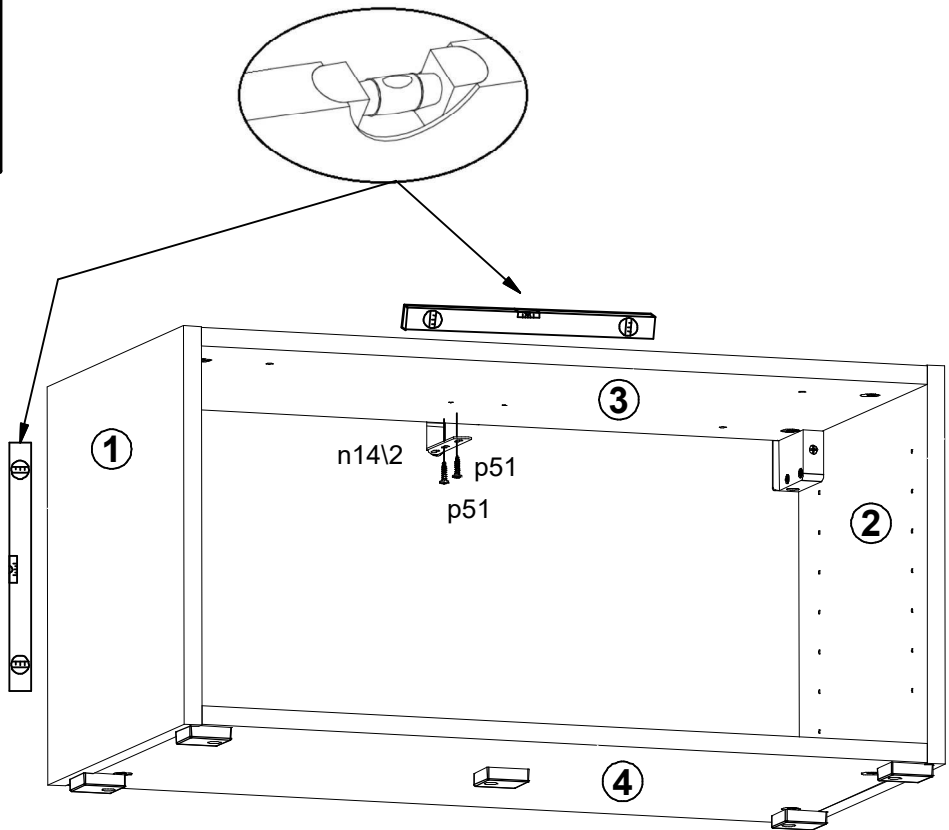
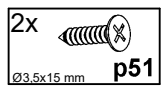
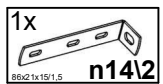
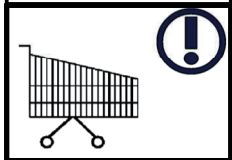
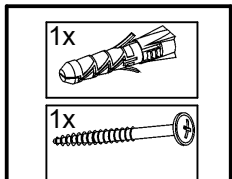
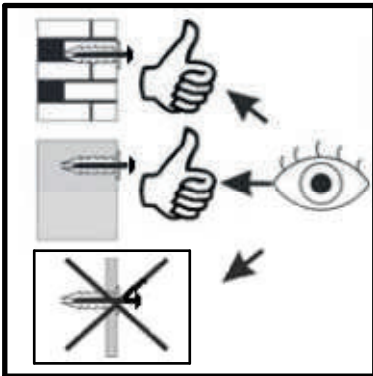
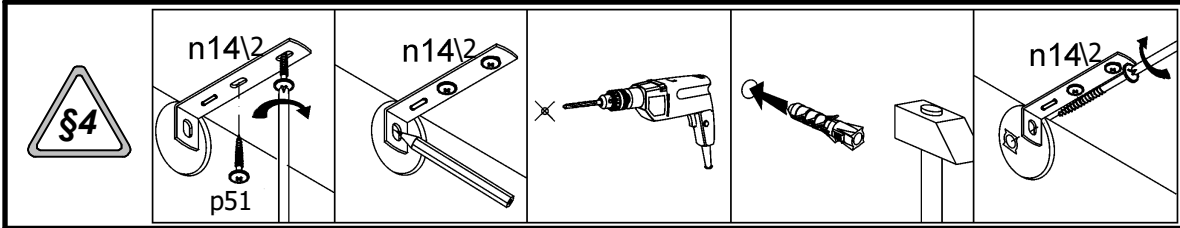
- 2x Ø20mm s68
- 5x Ø8mm s6
- 8x Ø16 s2
- 2x Ø6x60 mm p127
- 2x Ø10x50 mm f35



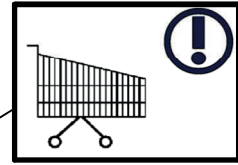




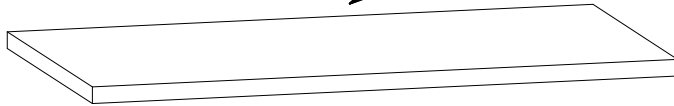
# 10



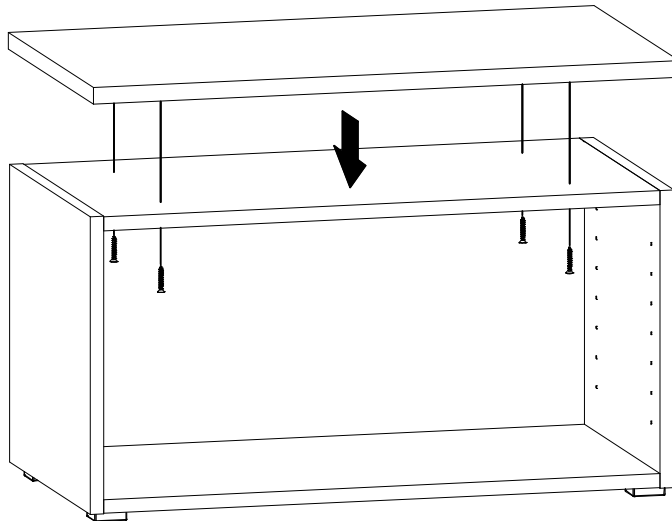
# ⚠ OPTION



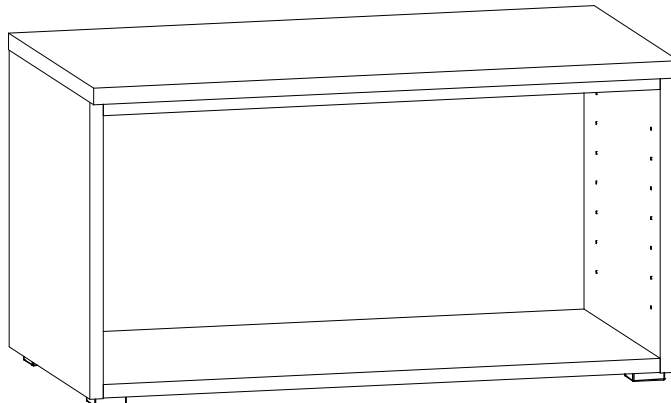
I



II

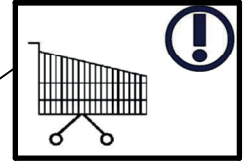


III





# ! OPTION

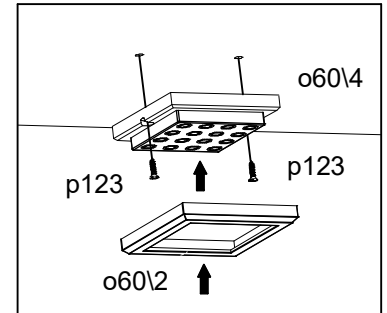
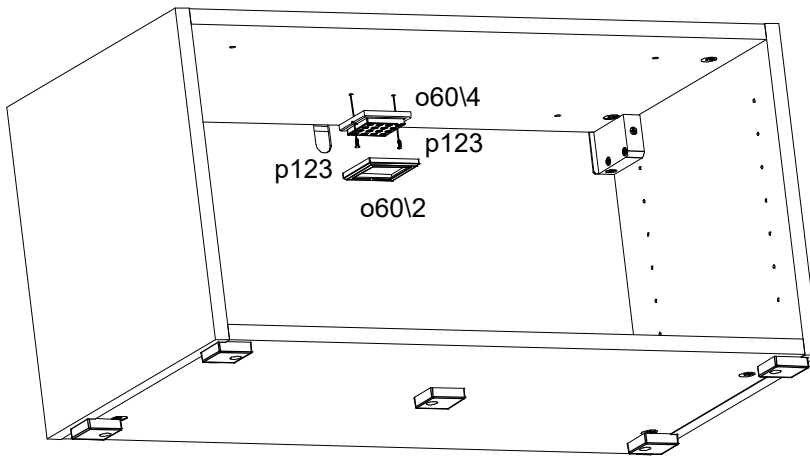


I

**qc11\1**

1x  o60\2	1x  2x1.8W o60\4	1x  6W o70\9	2x  p123
-----------------	---------------------------	-----------------------	----------------

II



III

