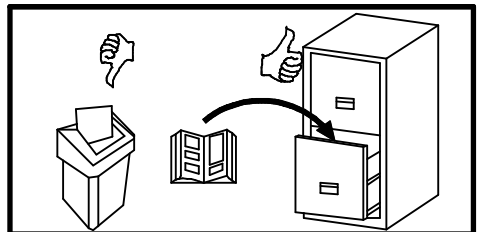
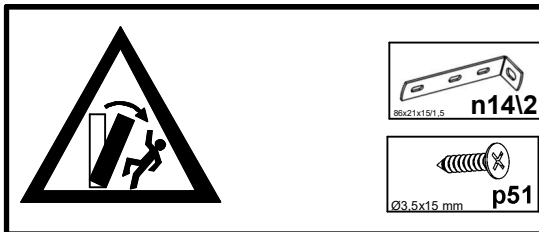
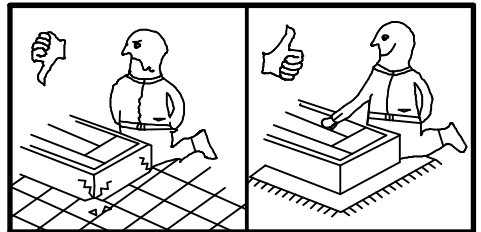
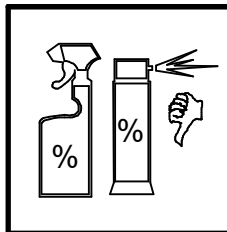
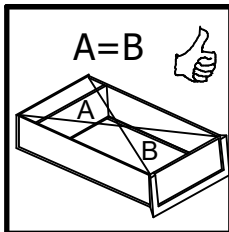
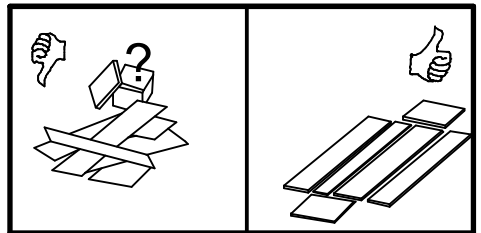
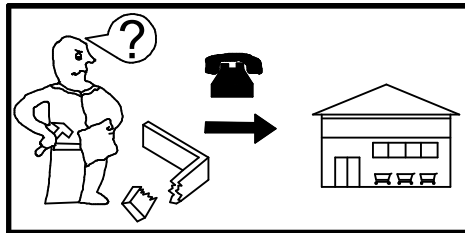
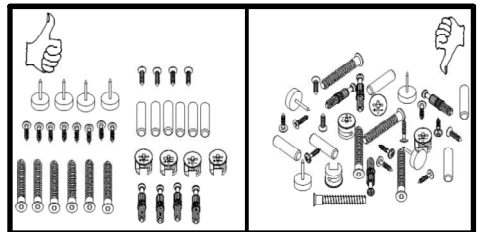
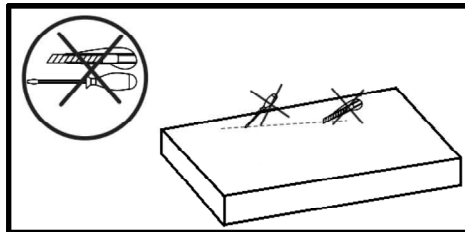
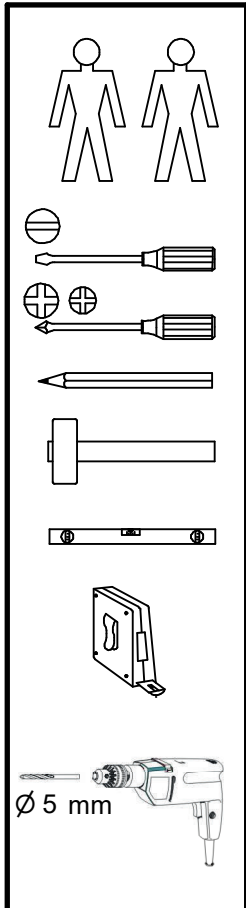
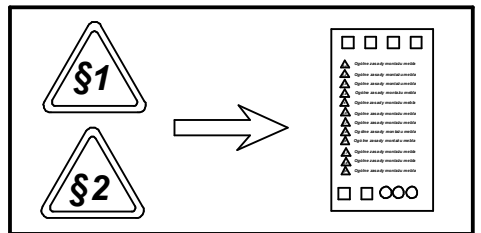
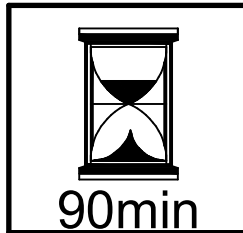
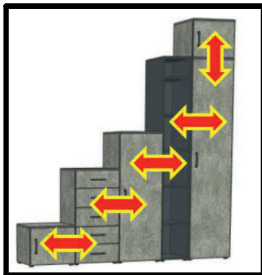
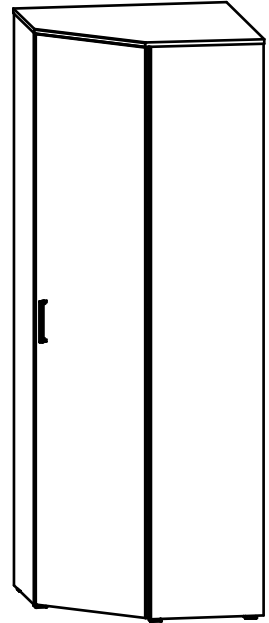
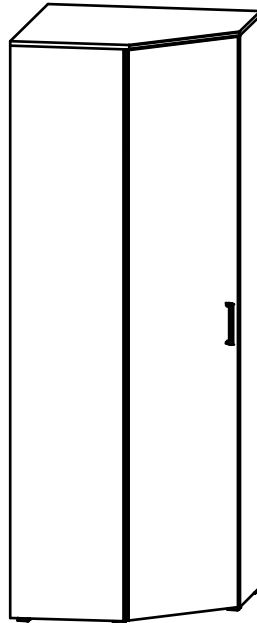
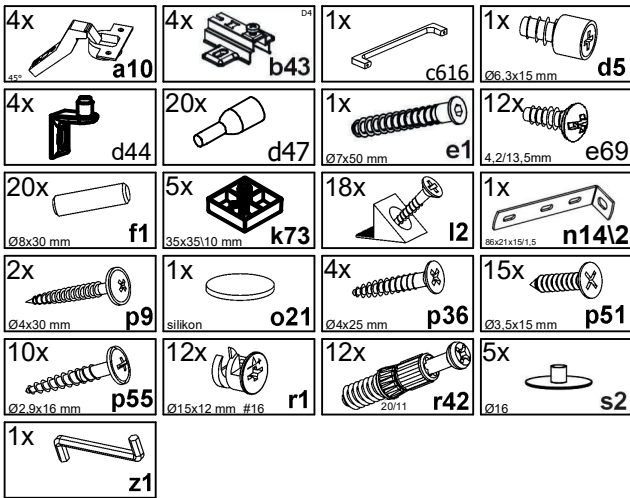


134501840...
 2427020.../43
 2427019.../43
 5107464
 5107465
 5107466
 5107467

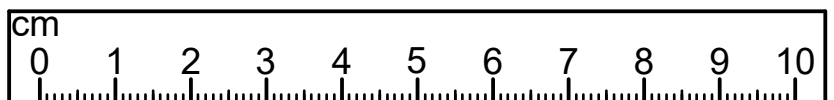
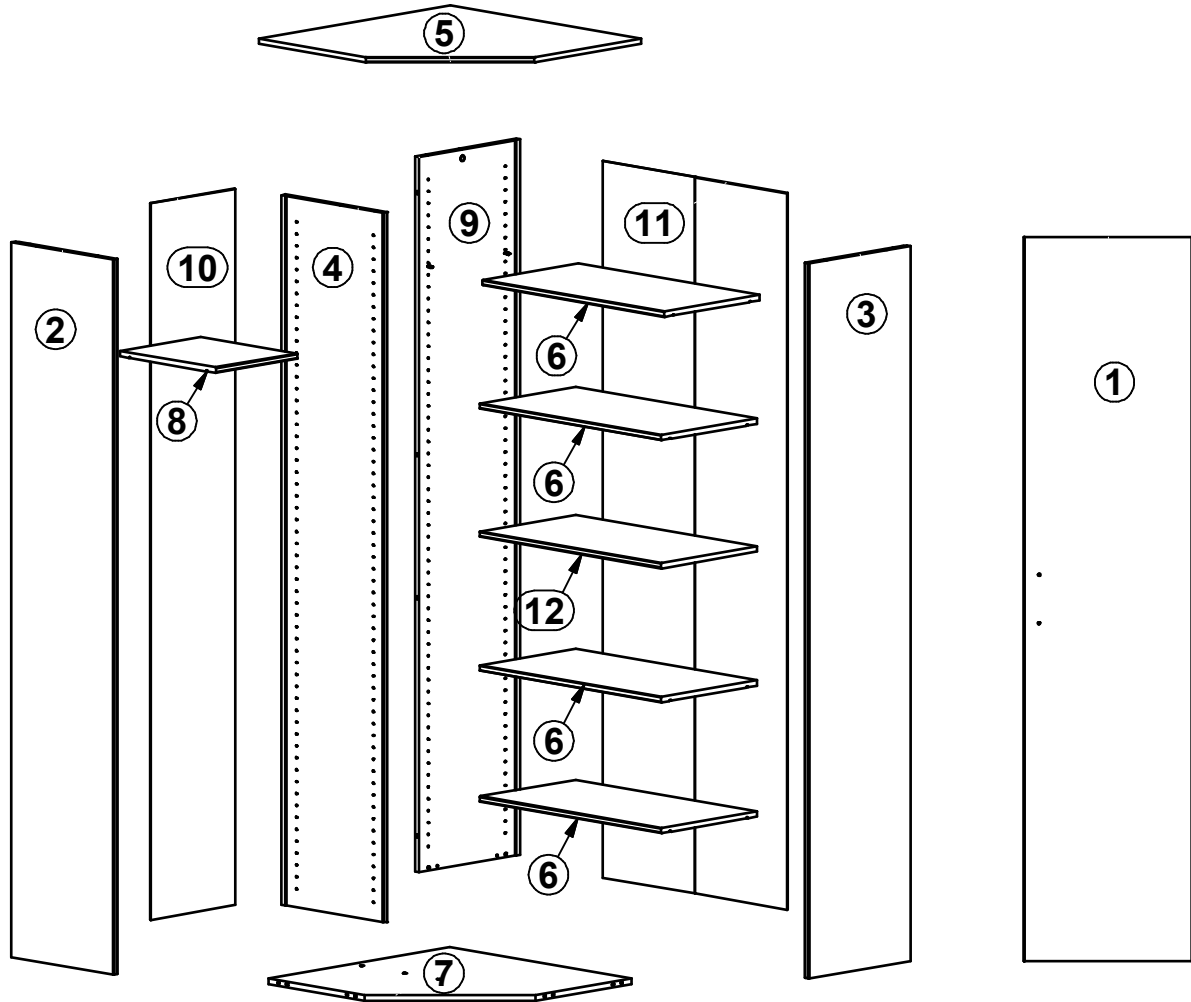
L

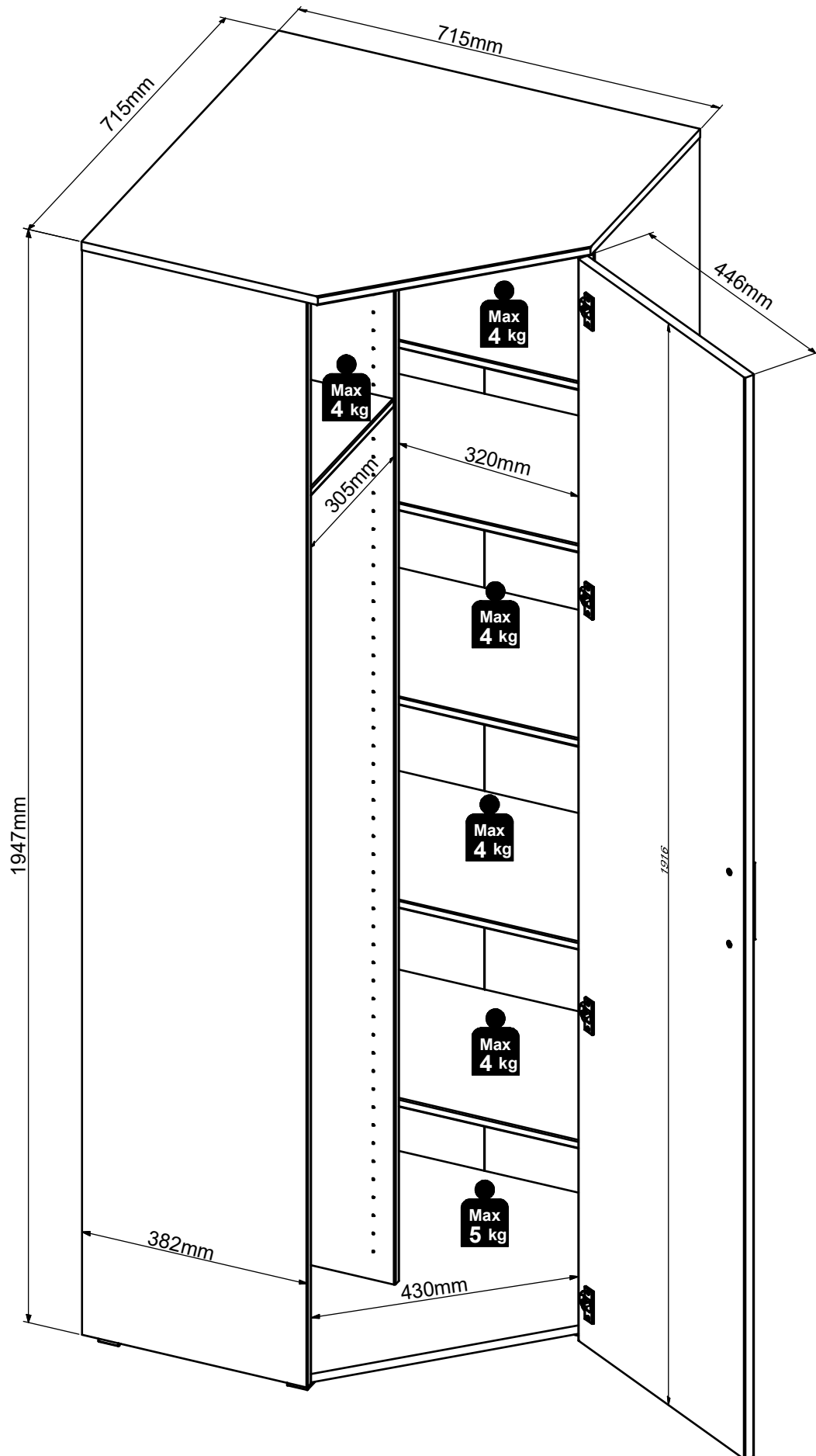
R

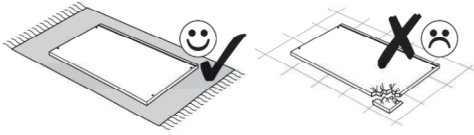
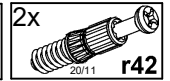
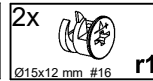
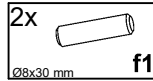
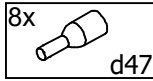
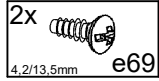




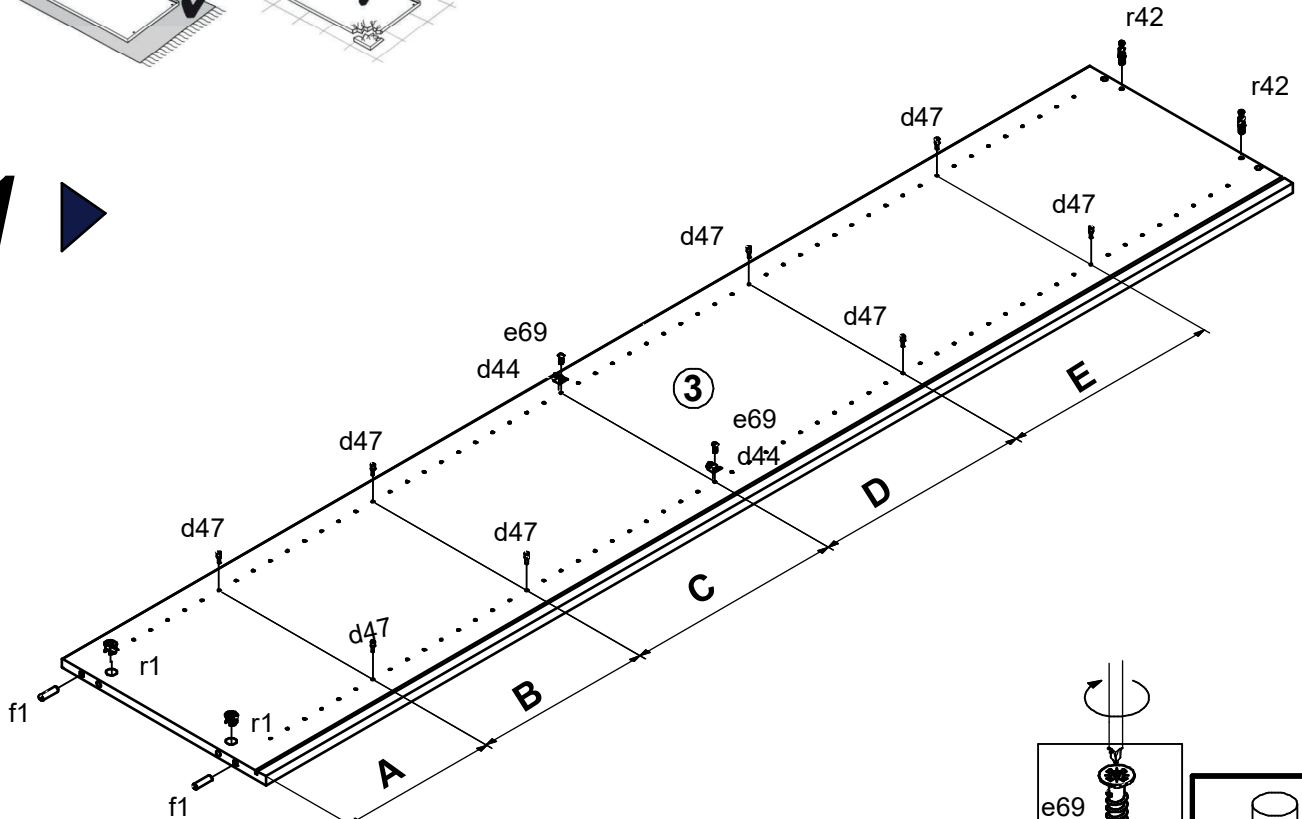
A	B1	B2	C1	C2	C3	C4	D
1	S588-0025	-3	1916	446	18	1	3/3
2	S588-1001	-3	1922	382	15	1	3/3
3	S588-1002	-4	1922	382	15	1	3/3
4	S588-1029	-7	1907	382	15	1	2/3
5	S588-2014	-7	1011	788	15	1	1/3
6	S588-3027	-2	679	359	15	4	1/3
7	S588-3028	-3	961	735	15	1	1/3
8	S588-3029	-1	304	360	15	1	1/3
9	S588-4504	-1	1922	380	15	1	2/3
10	S588-9020	-1	1925	316	2,5	1	2/3
11	S588-9311	-2	1925	691	2,5	1	2/3
12	S588-3033	-	679	359	15	1	1/3



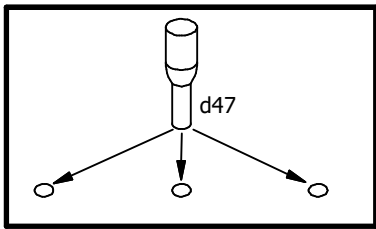
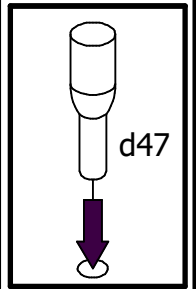
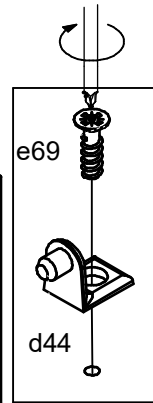
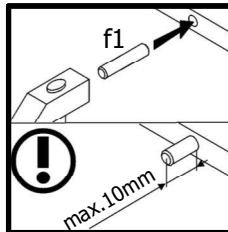
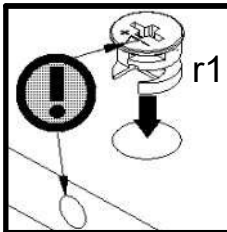
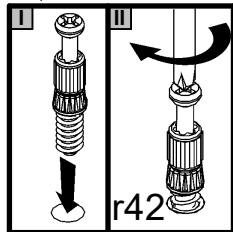
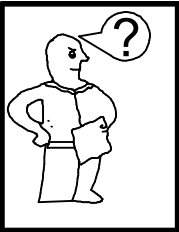




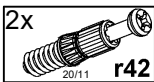
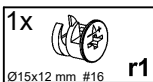
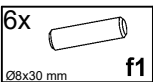
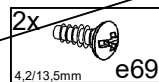
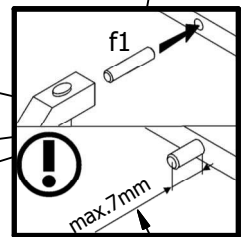
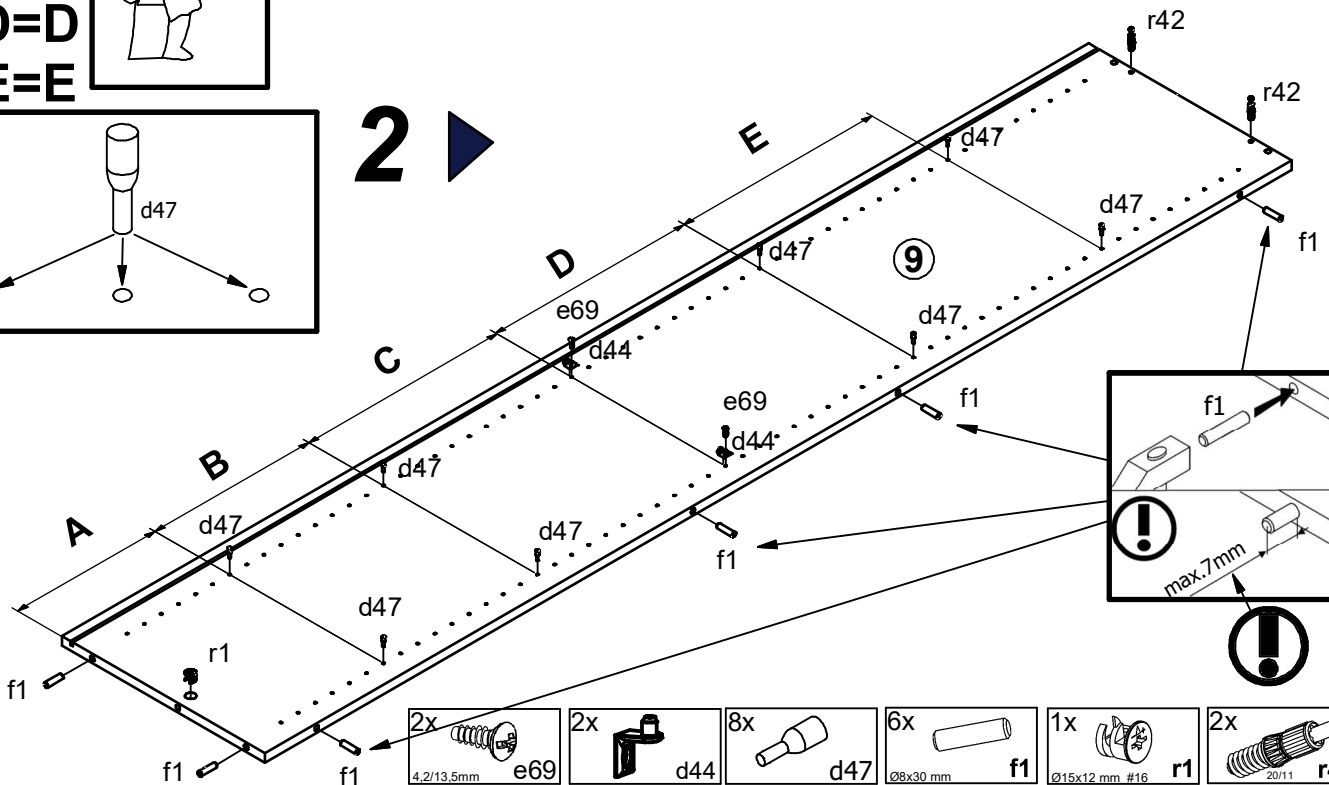
1 ▶

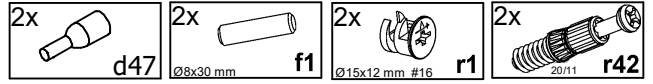
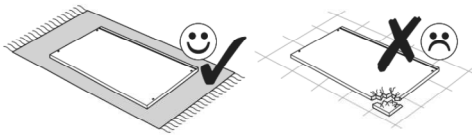


A=A
B=B
C=C
D=D
E=E

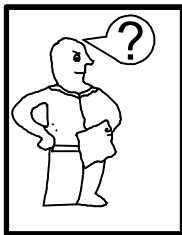
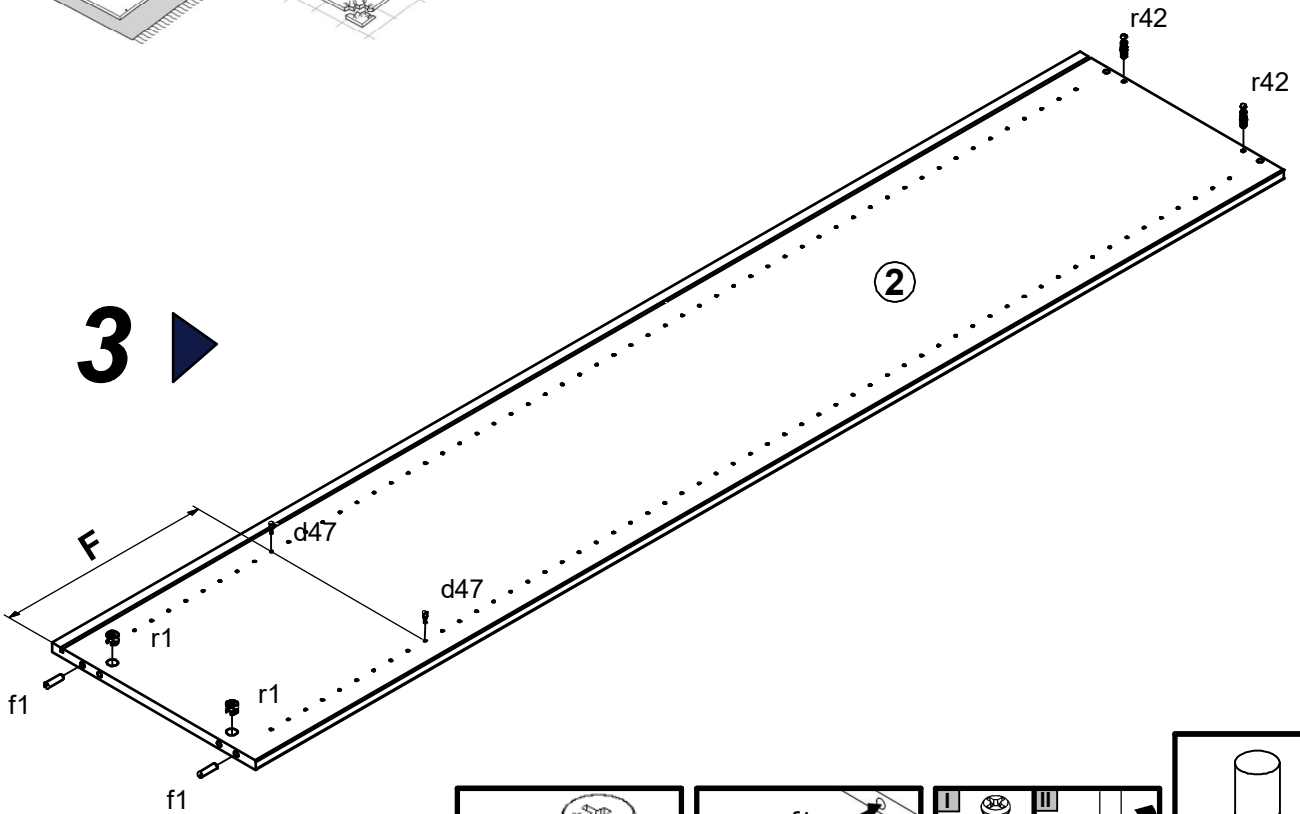


2 ▶

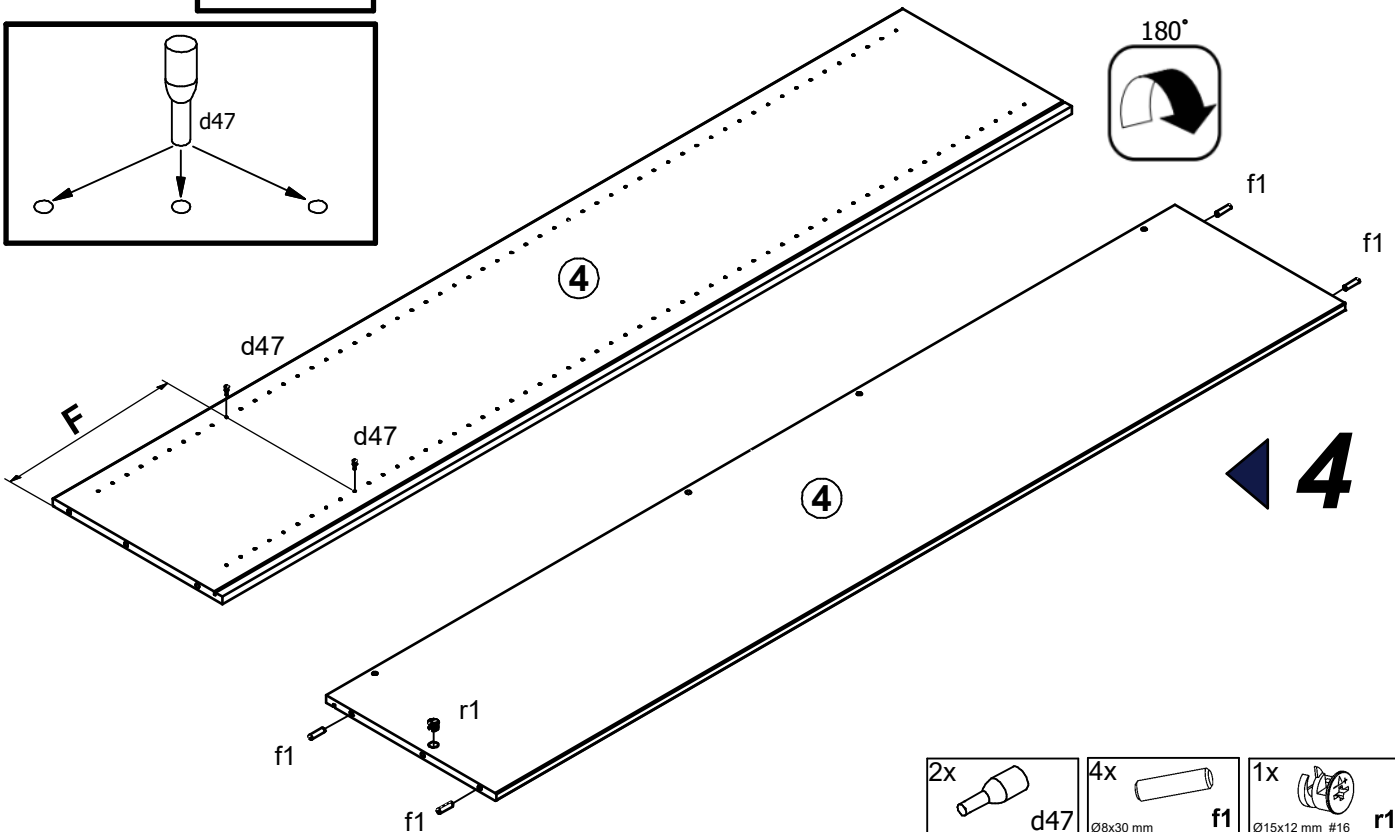
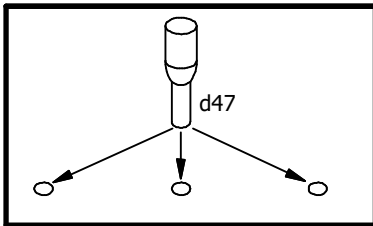
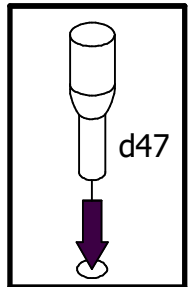
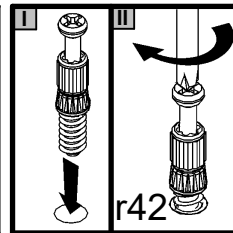
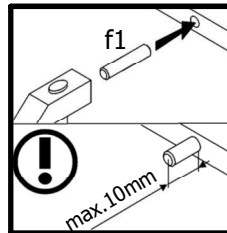
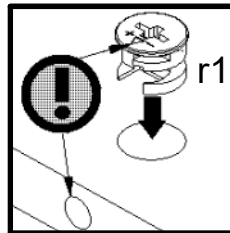




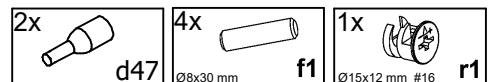
3



F=F

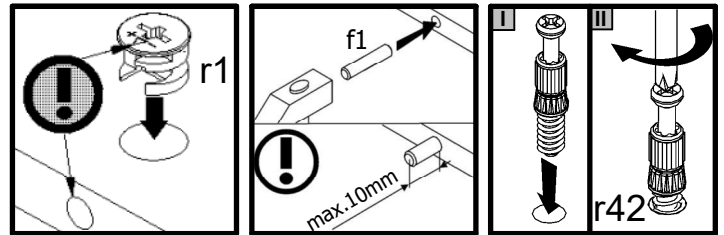
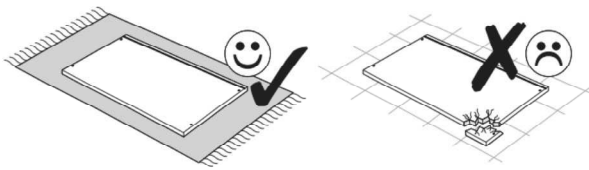
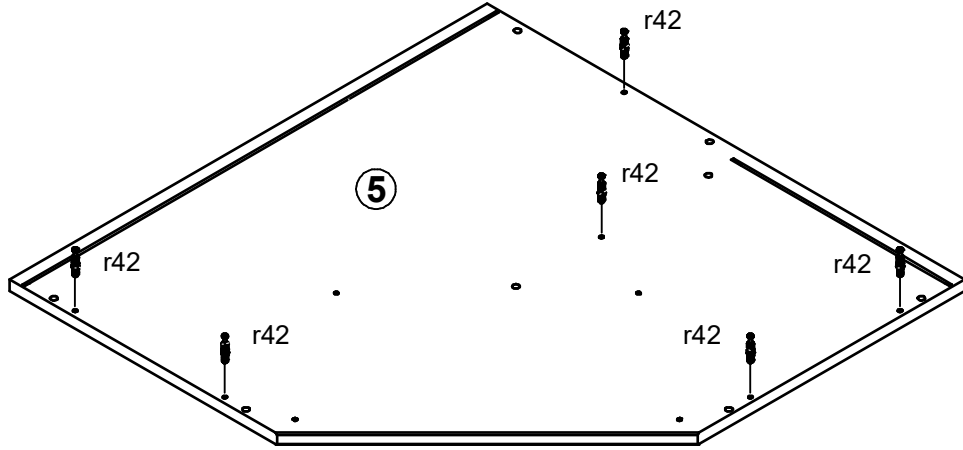


4

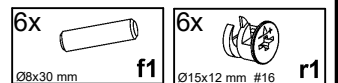
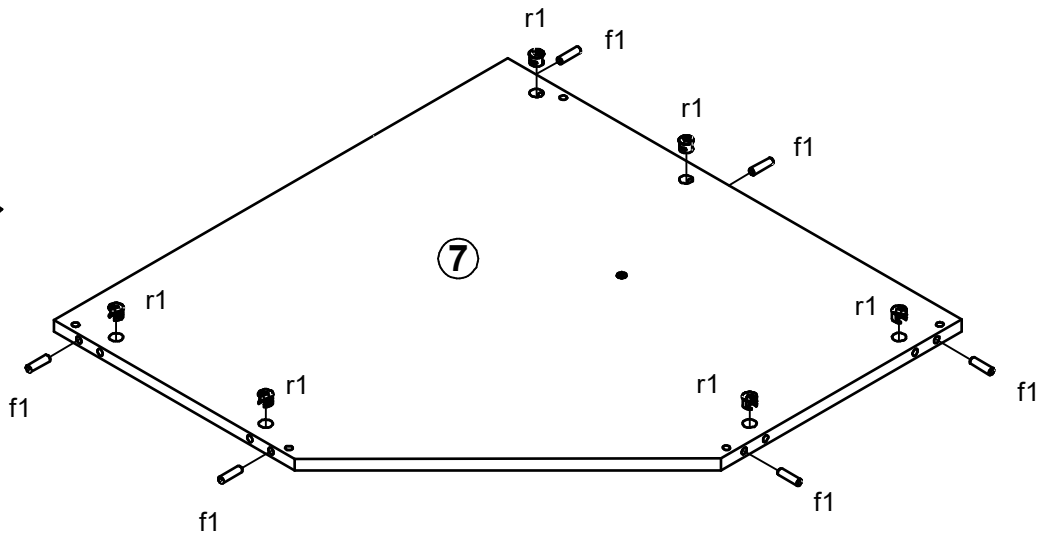


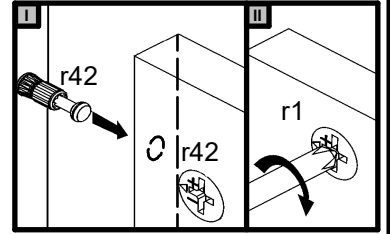
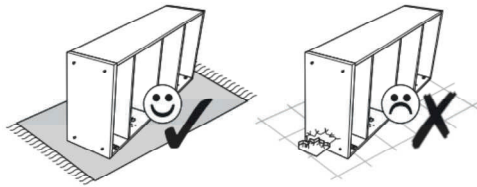


5 ▶

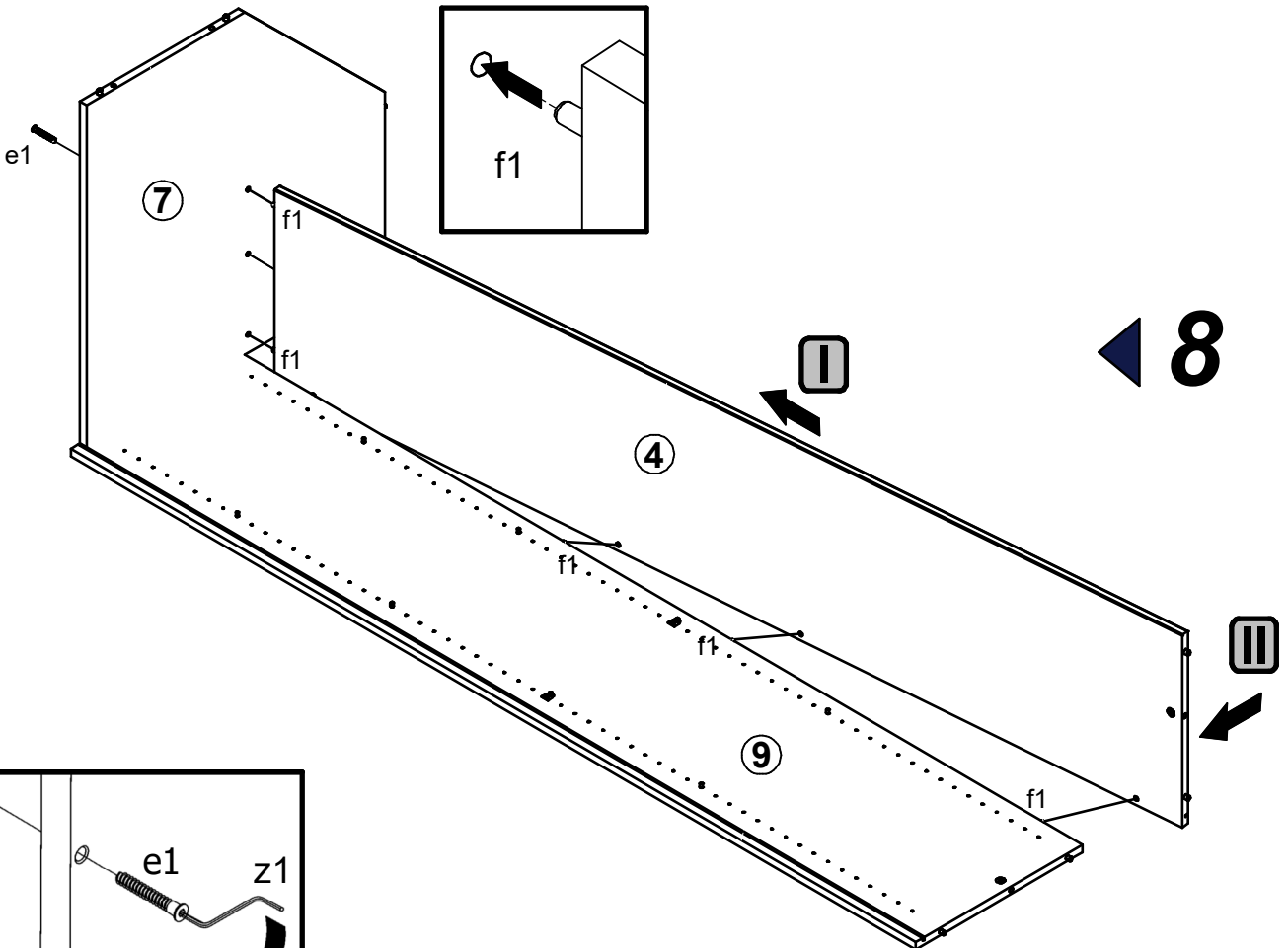
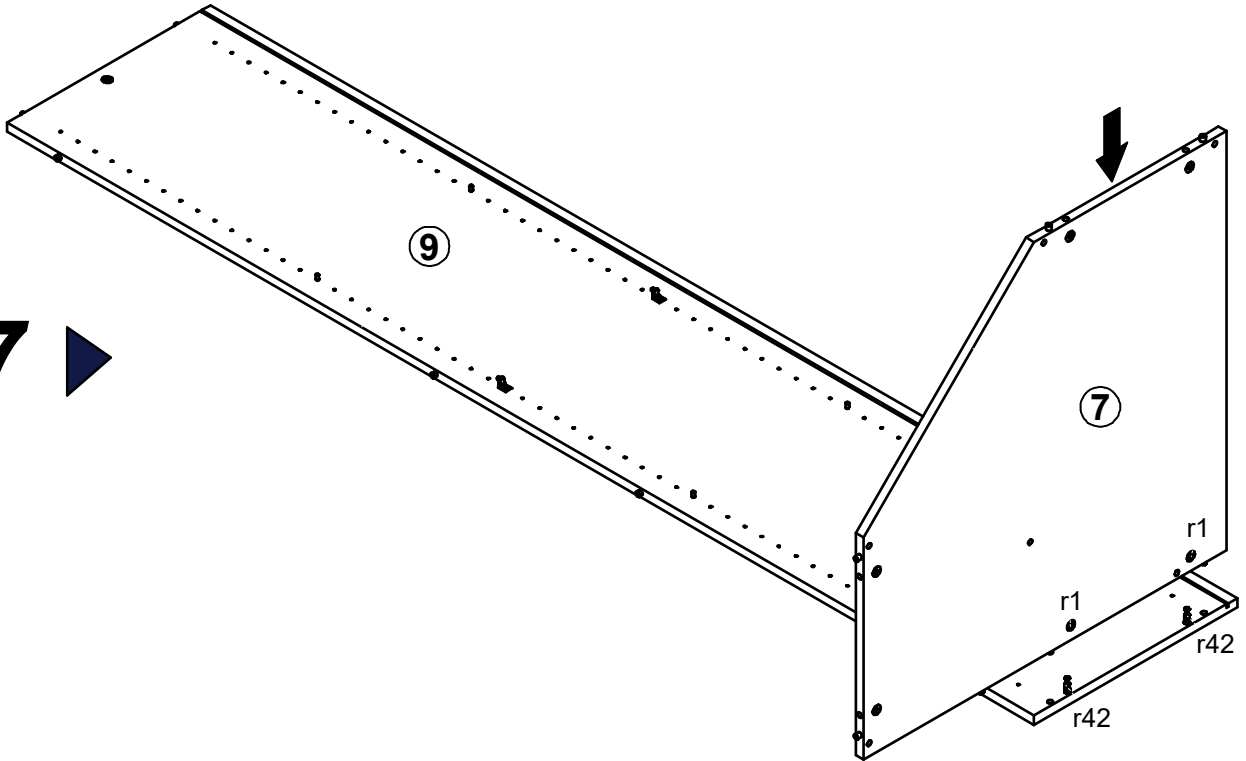


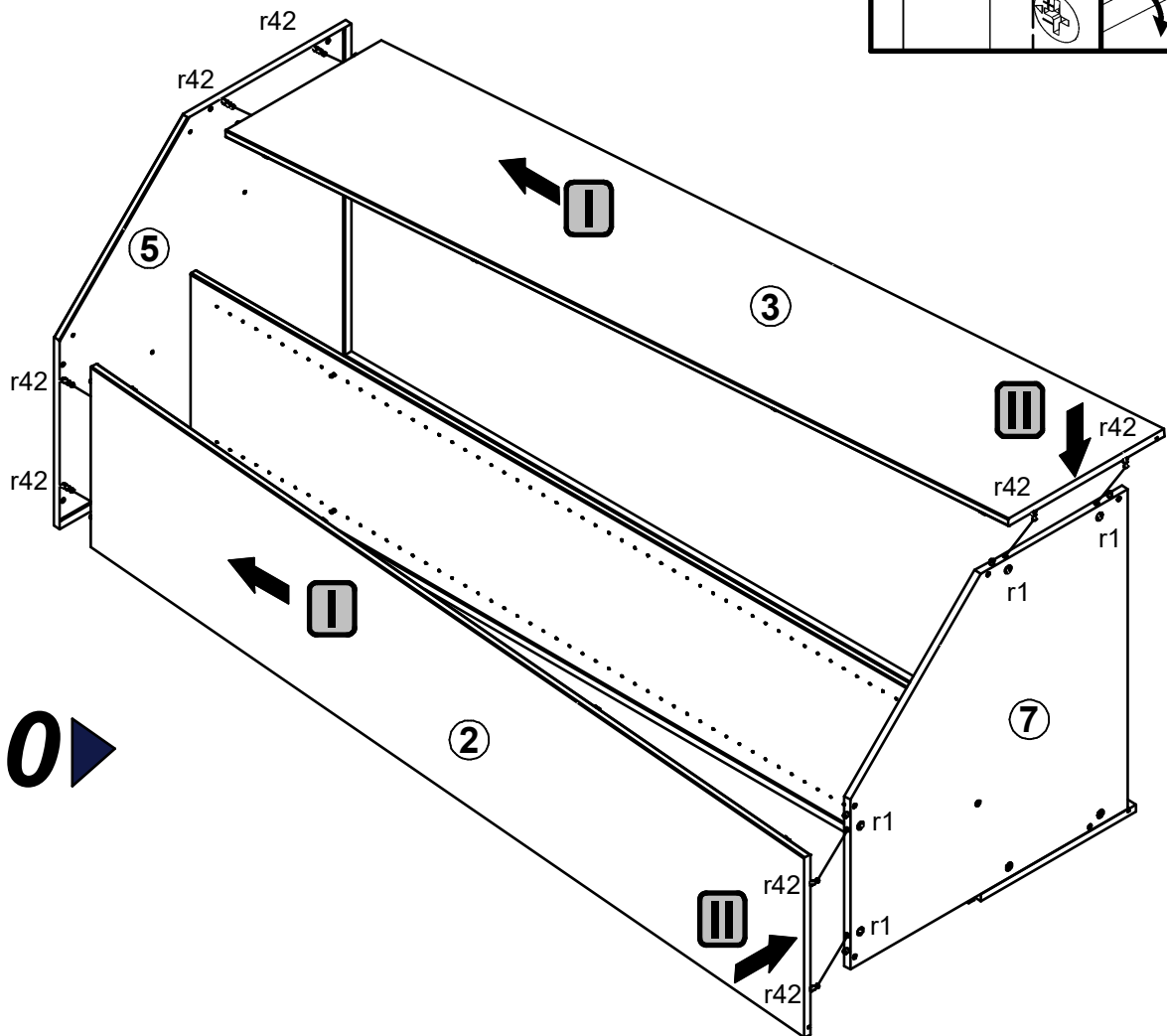
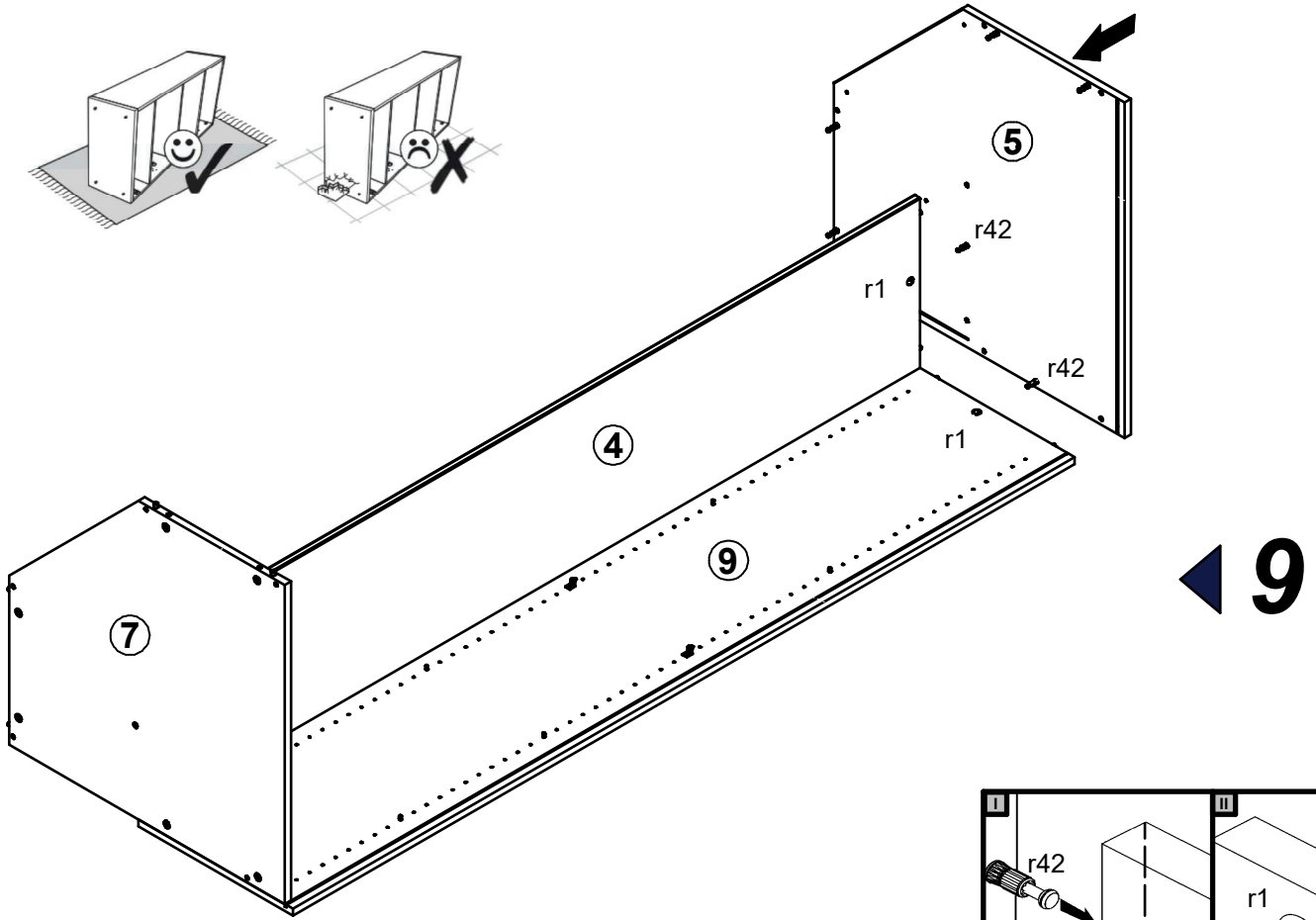
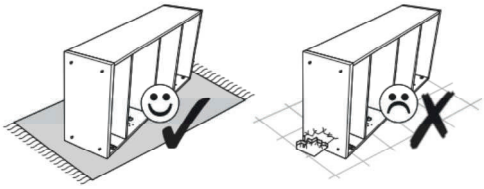
6 ▶

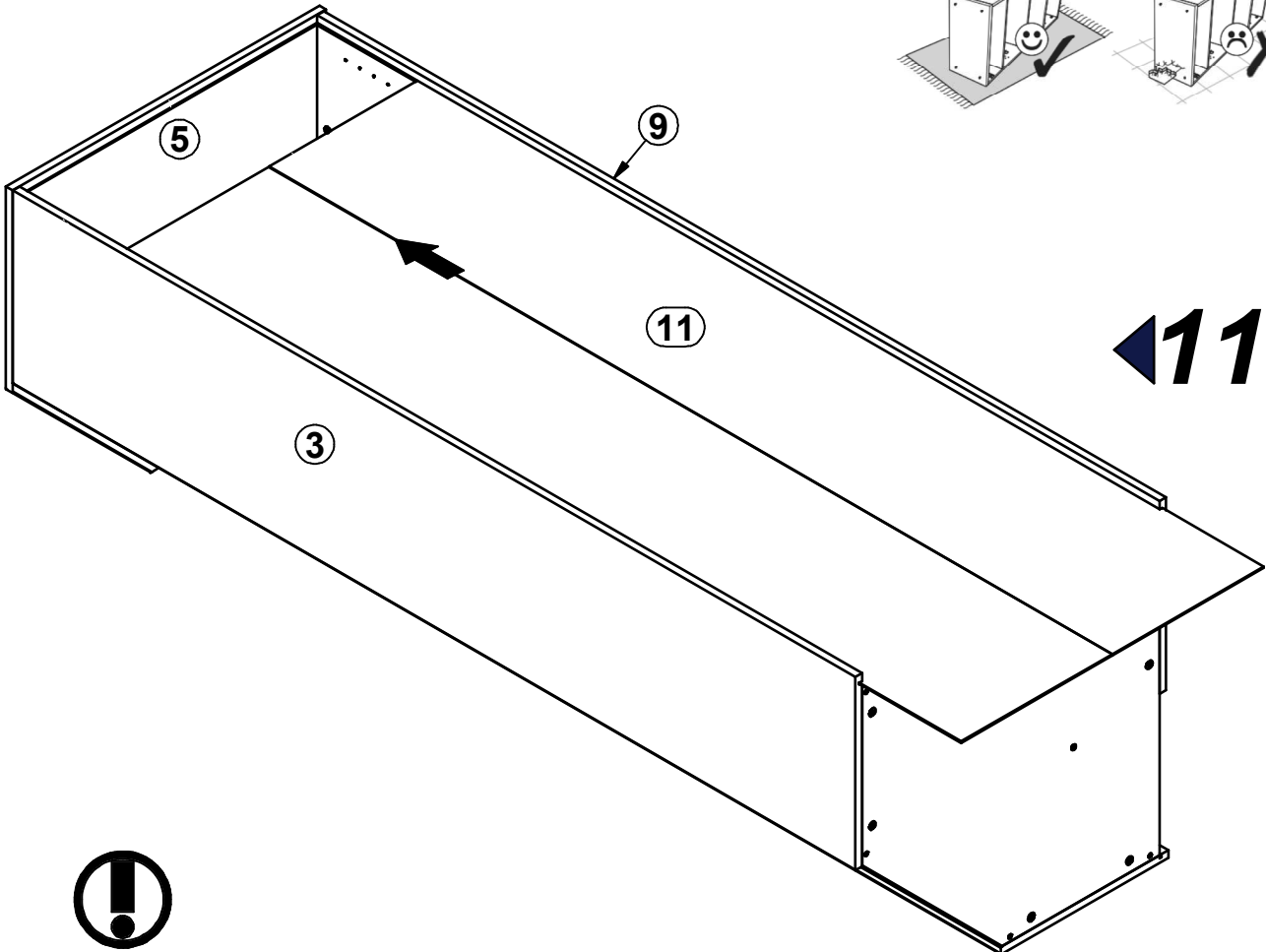
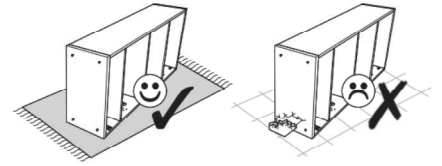




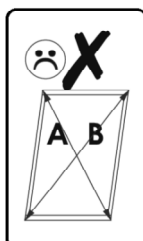
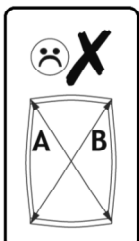
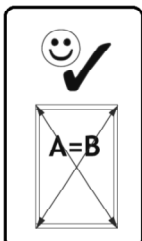
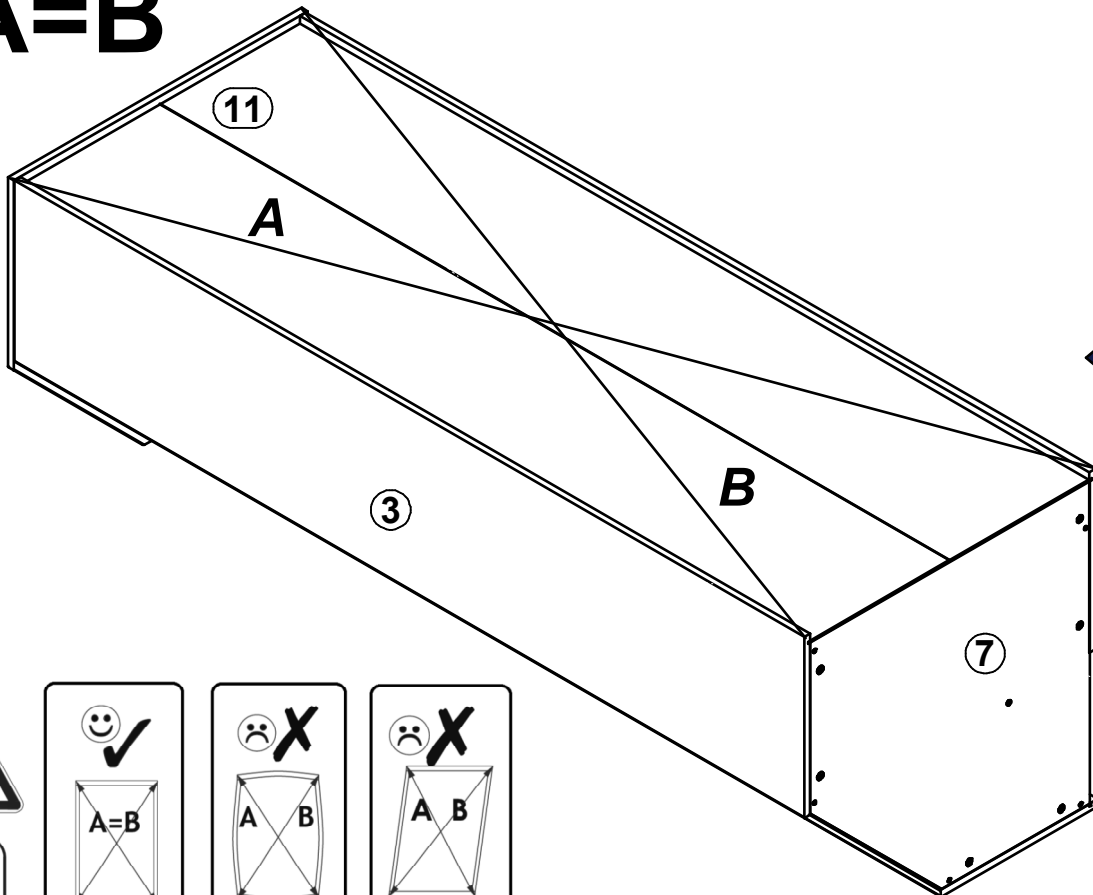
7

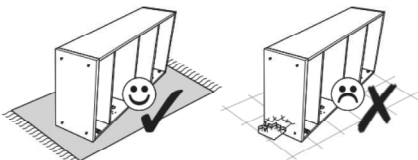
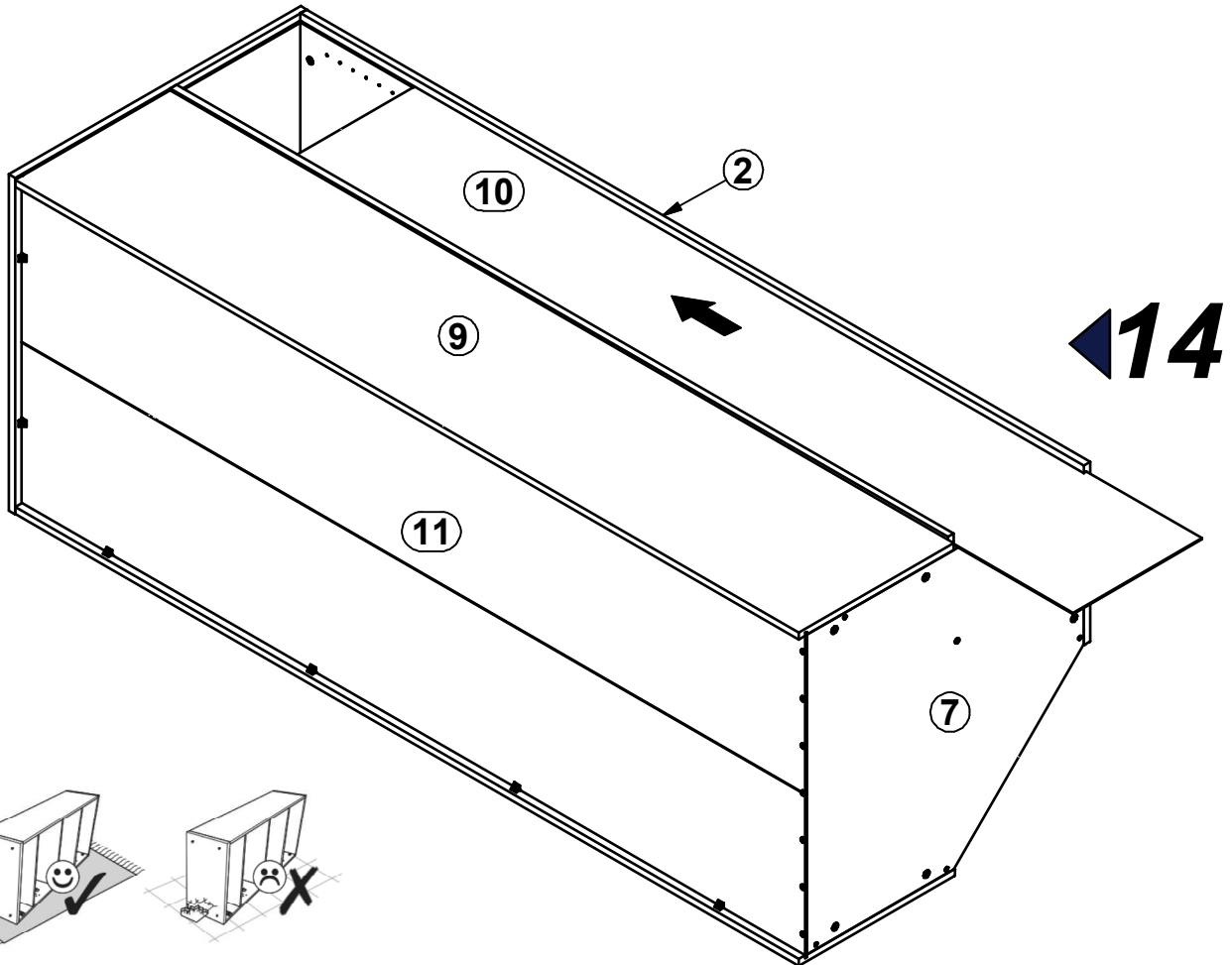
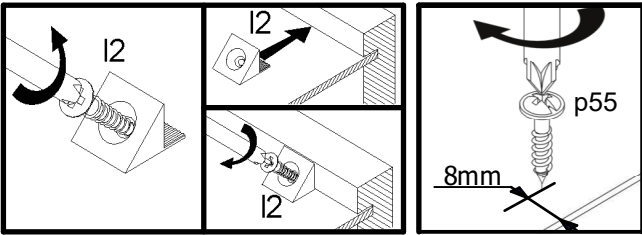
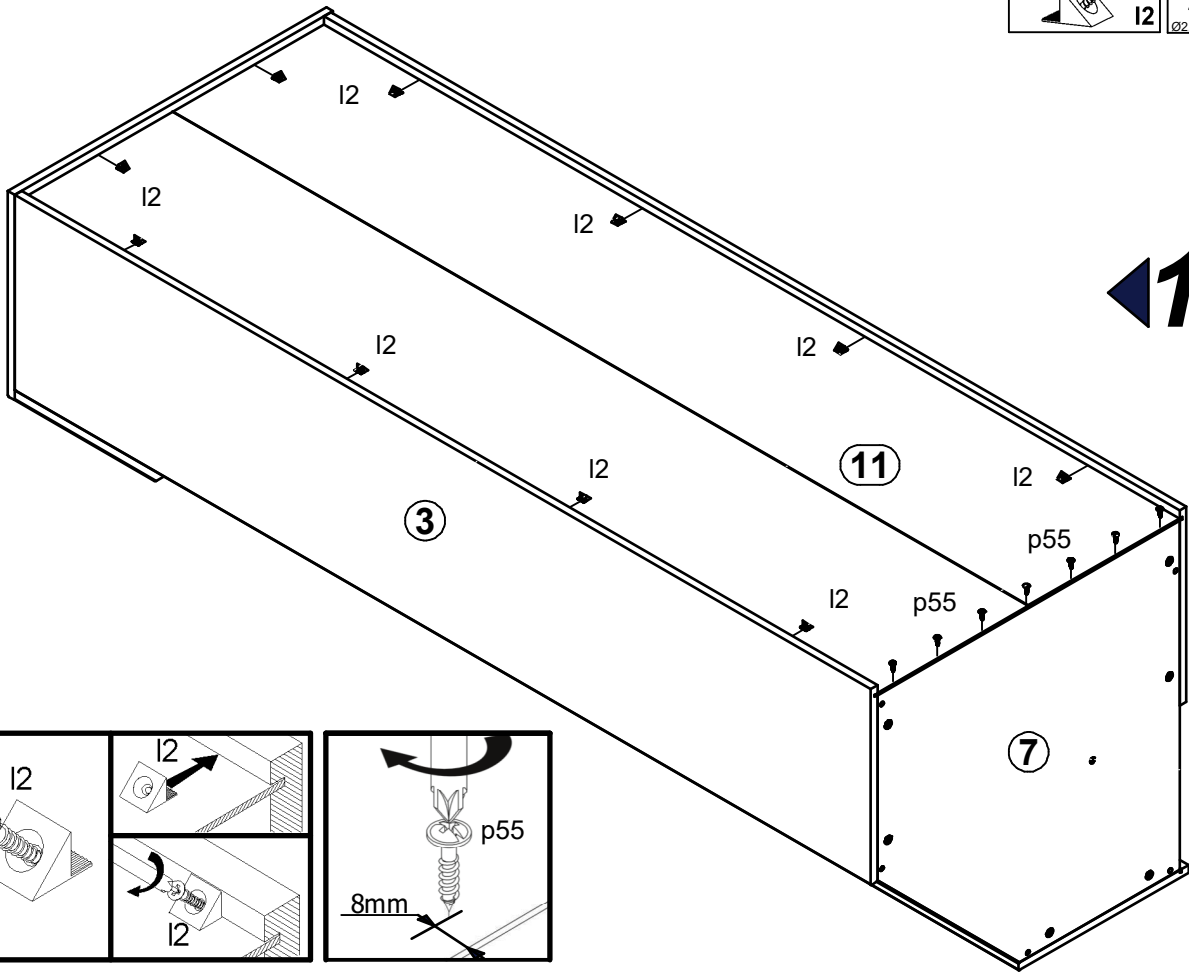
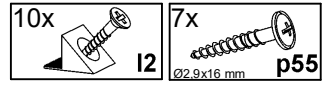






A=B

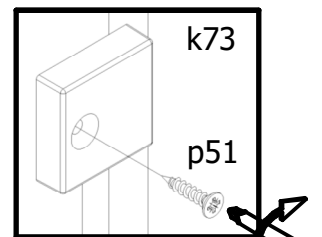
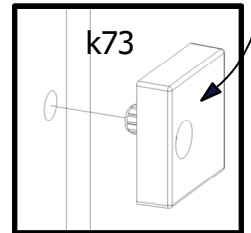
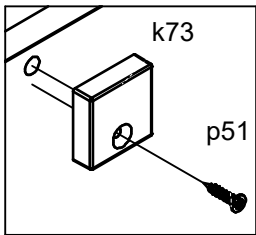
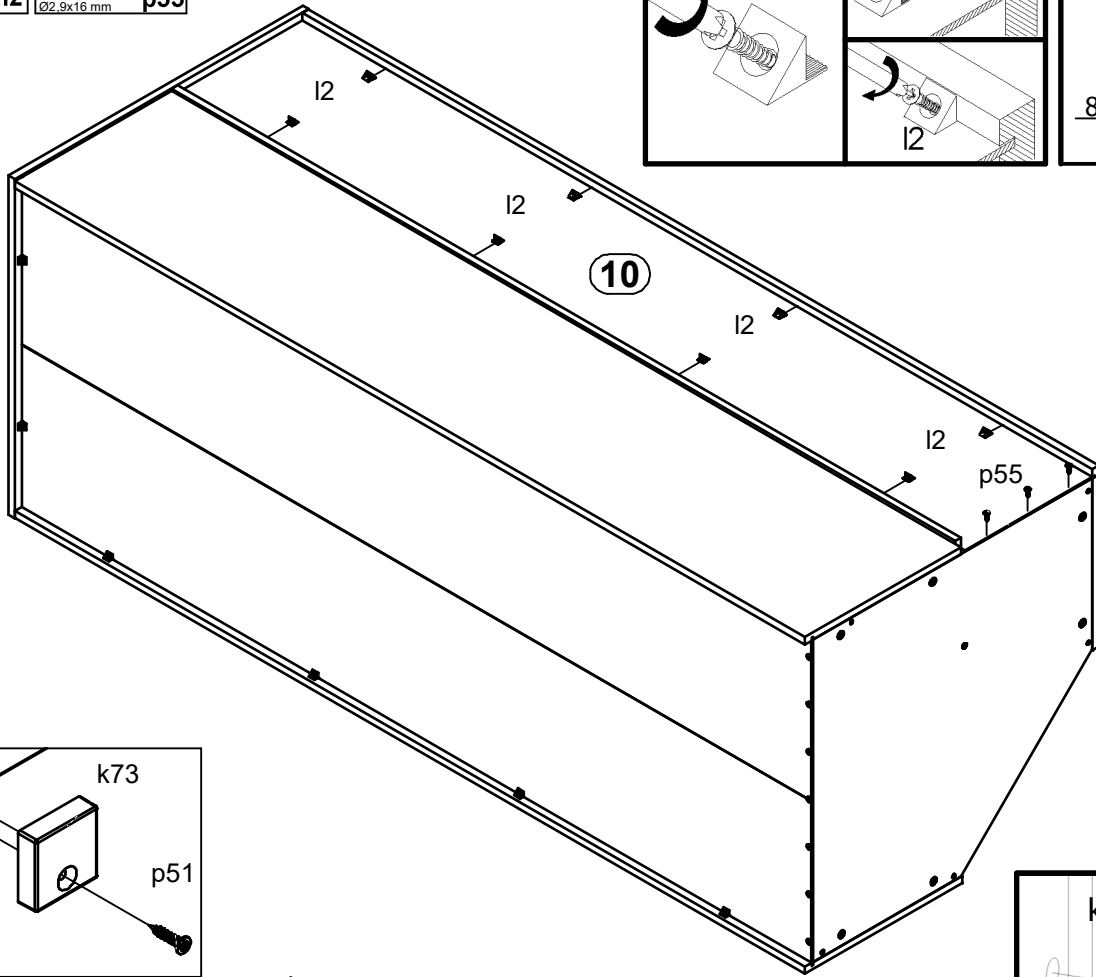
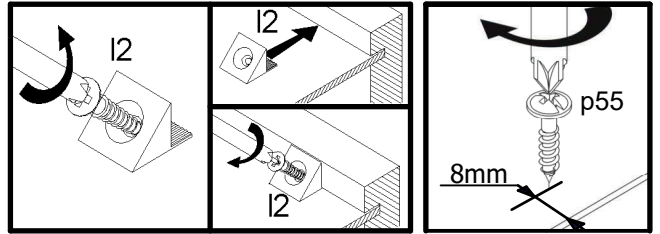
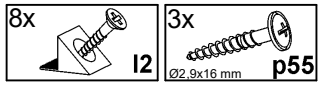




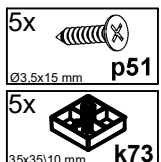
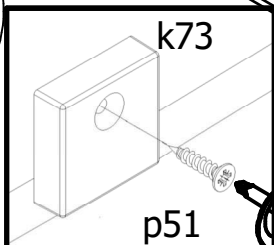
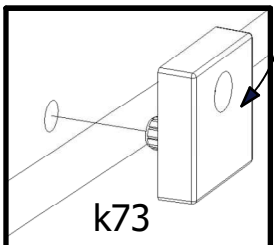
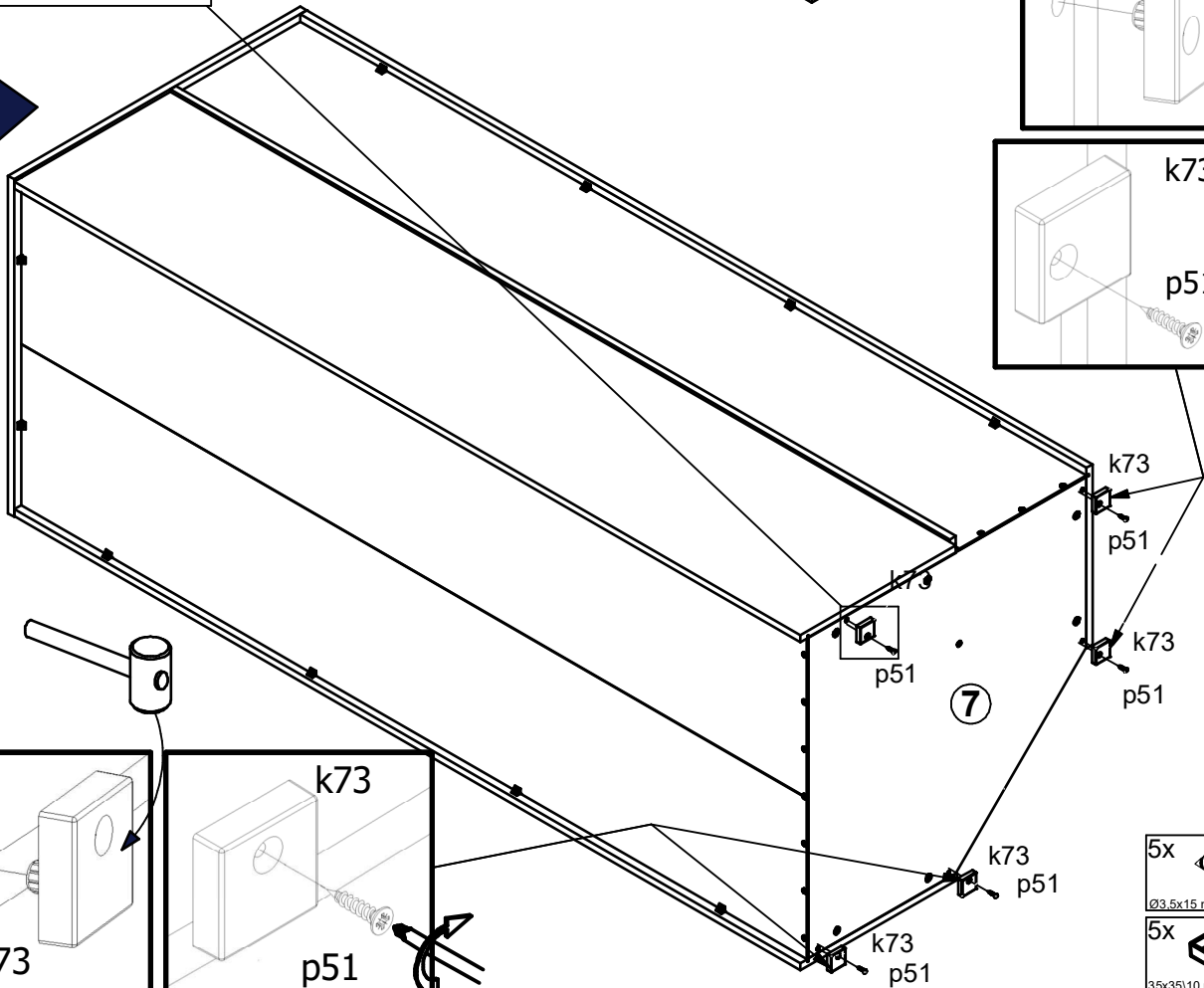
A

S588-REGN1D_190

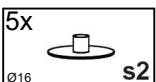
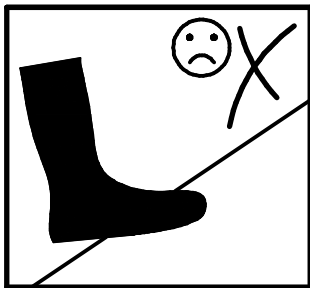
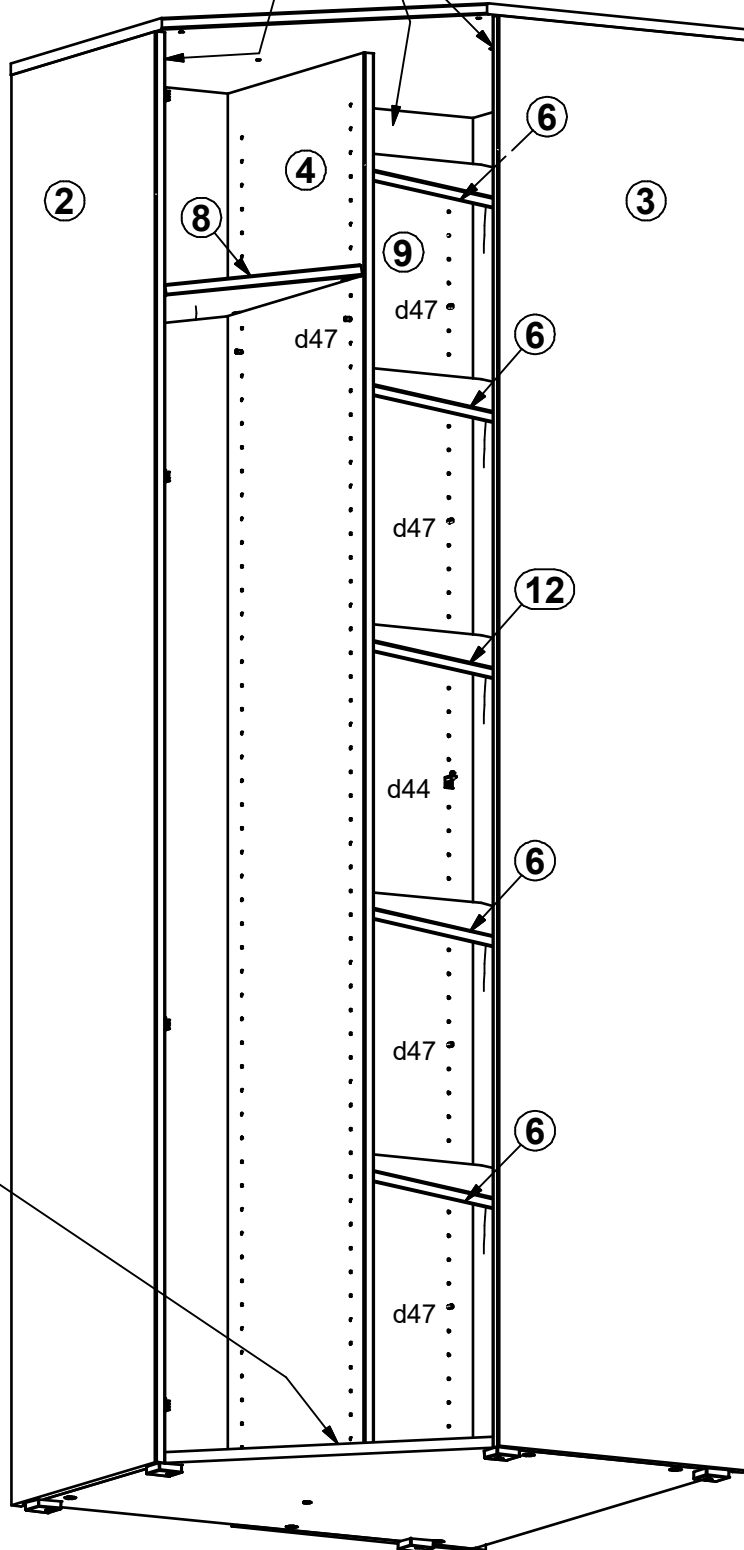
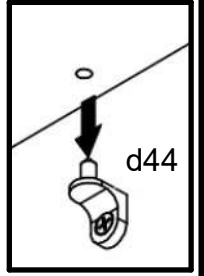
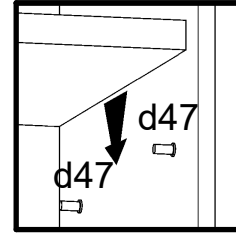
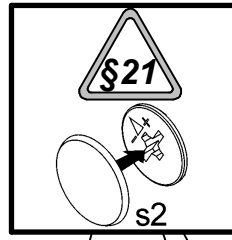
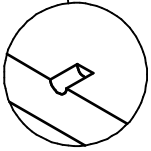
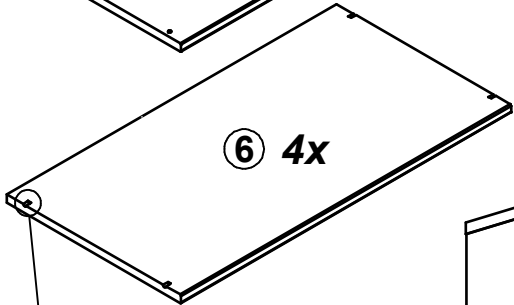
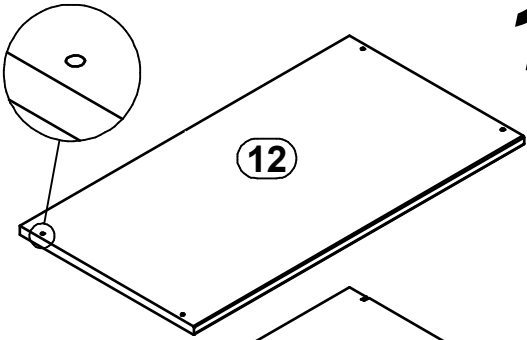
11 / 16

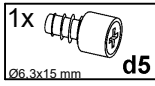
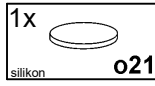
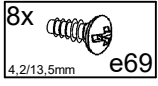


16

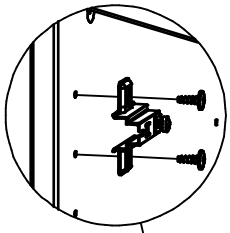


17

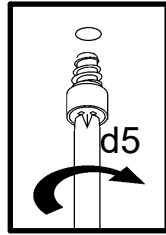




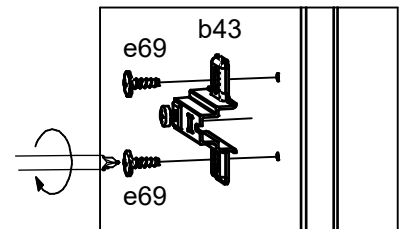
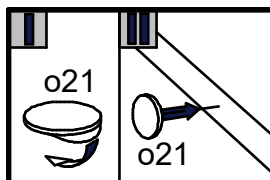
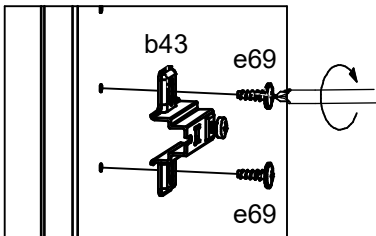
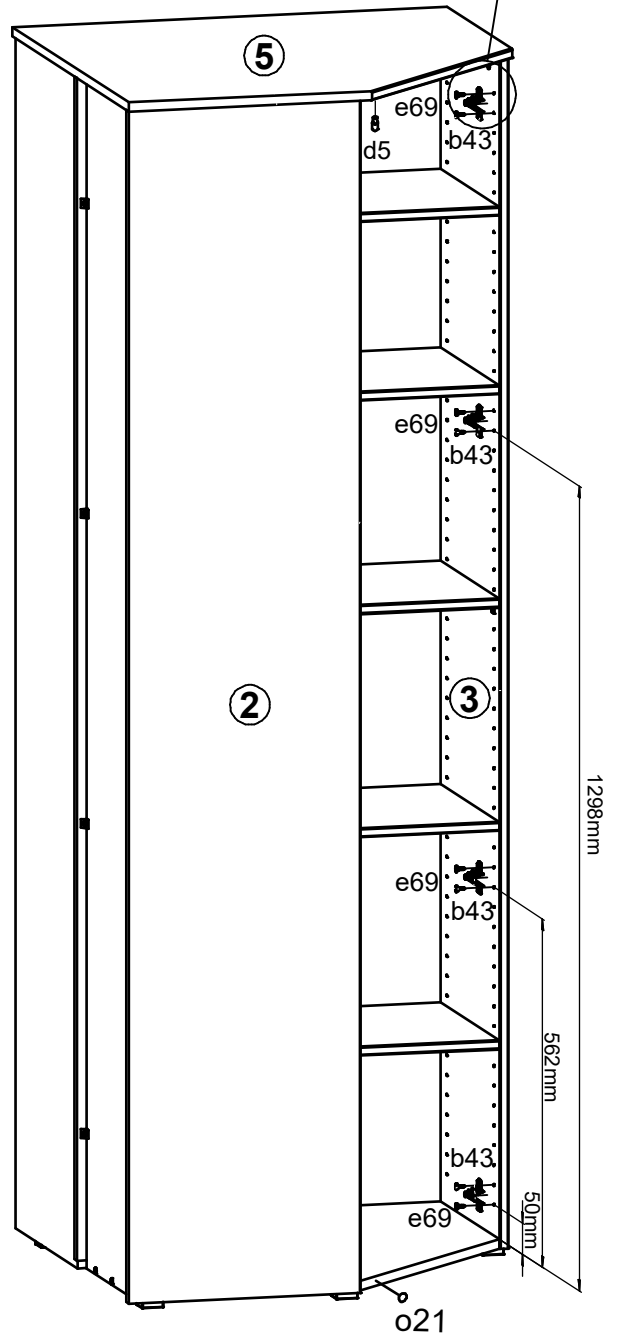
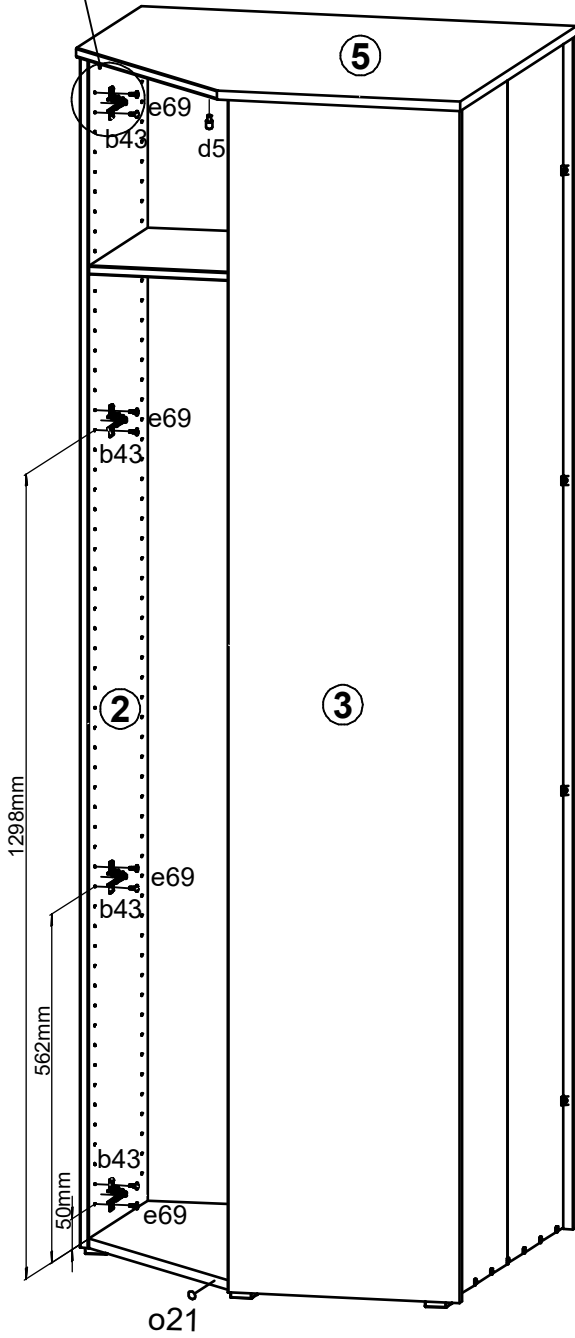
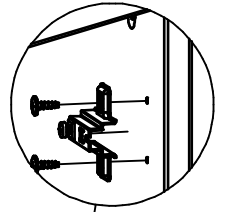
18

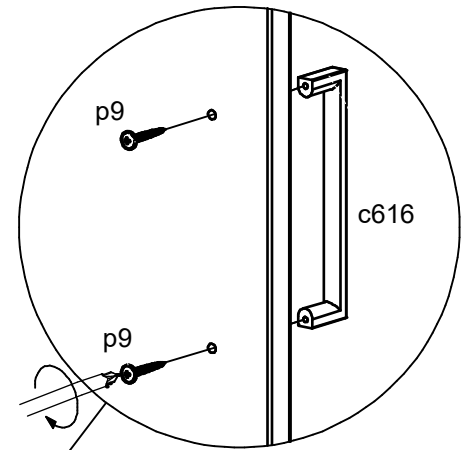
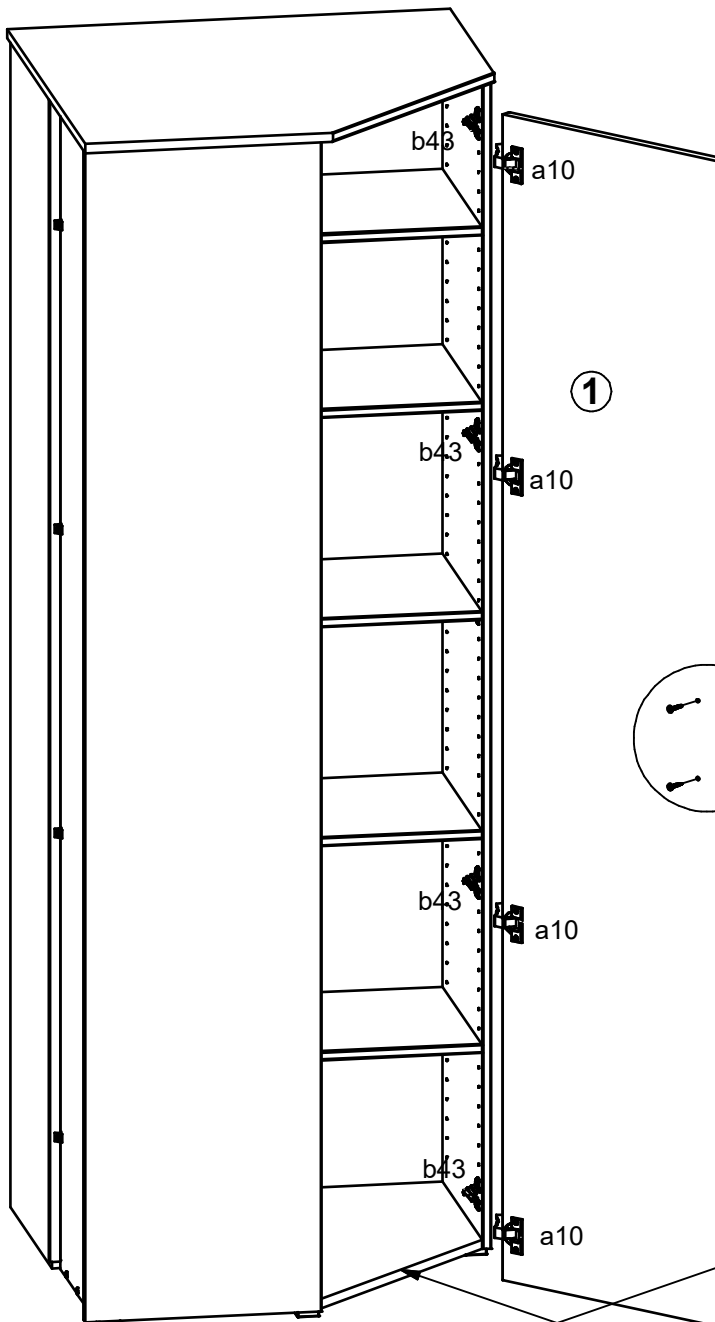
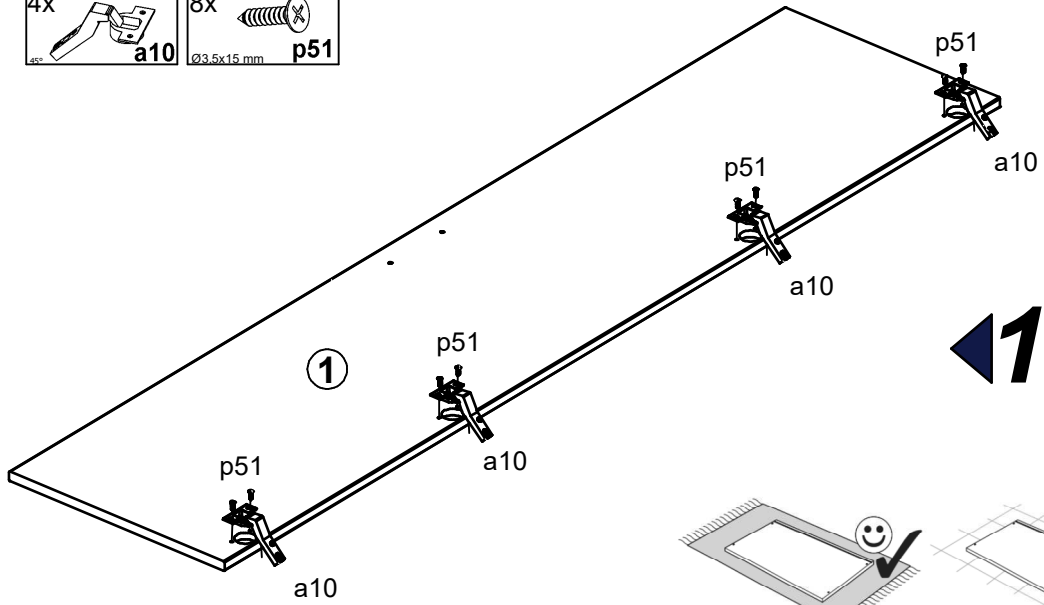
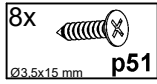
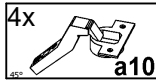
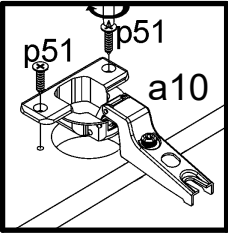


L

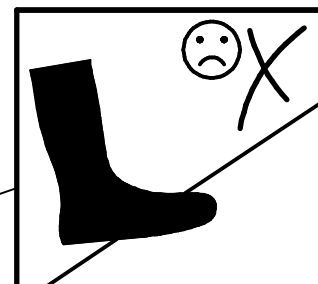
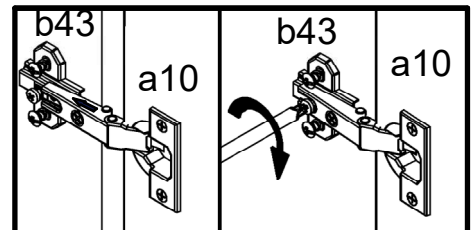


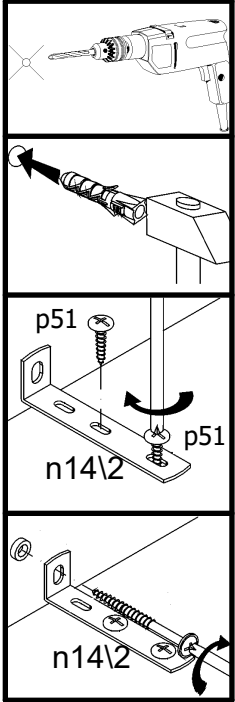
R





20





21

