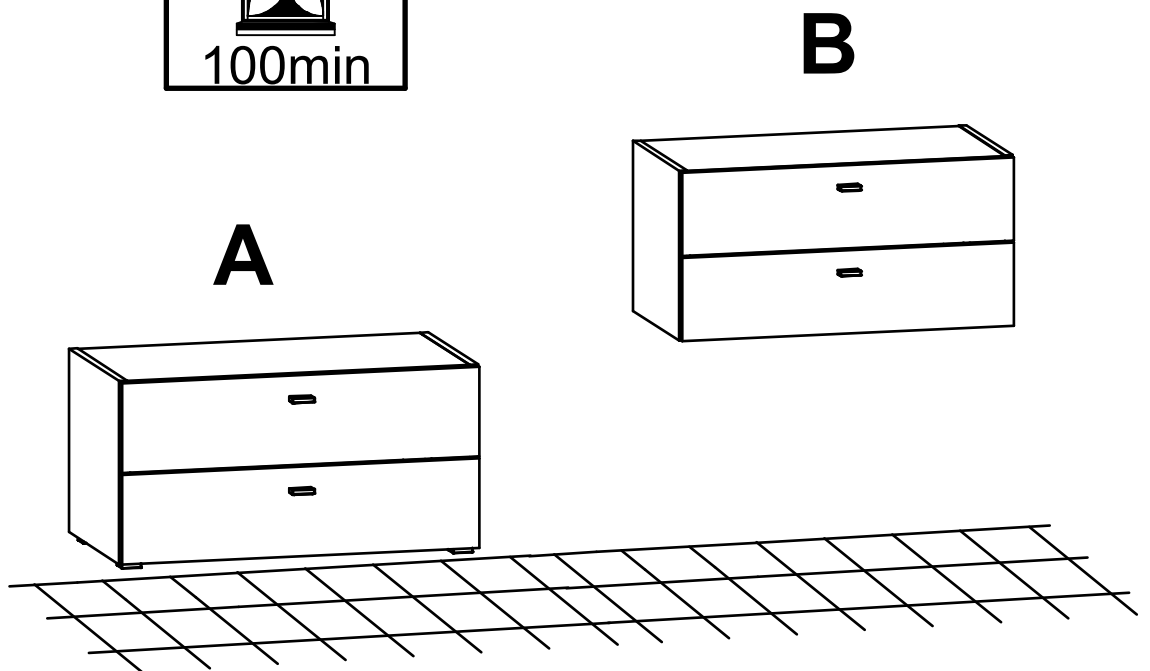
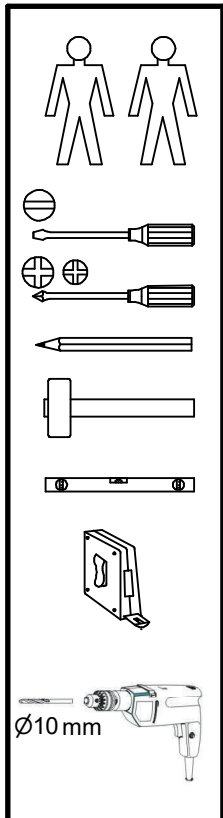
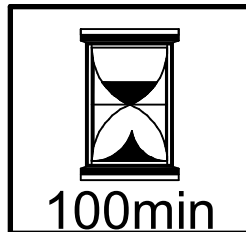
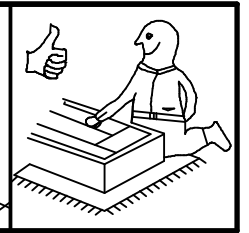
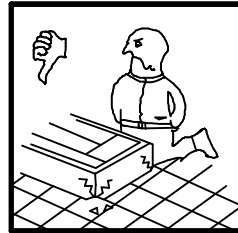
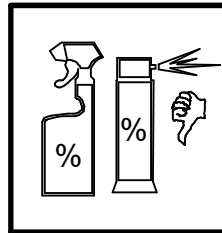
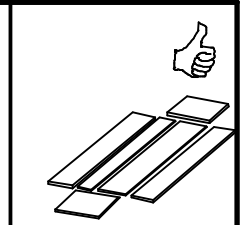
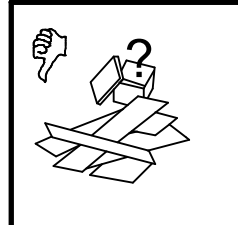
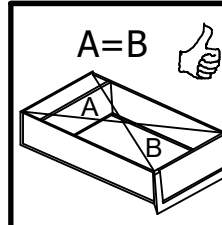
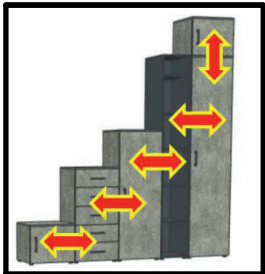
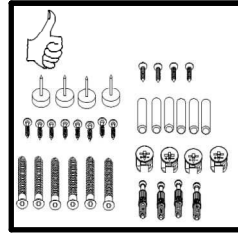
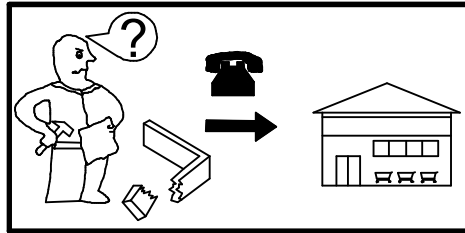
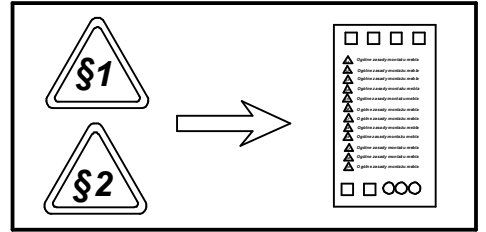
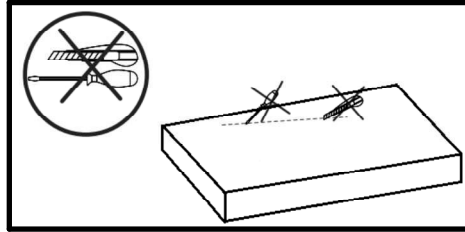
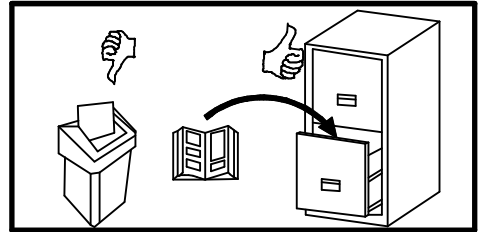
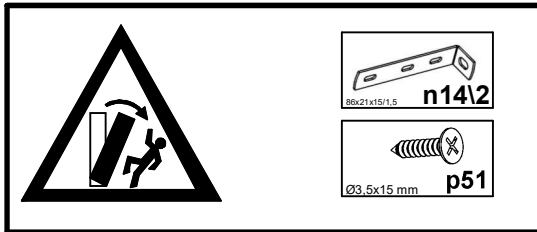
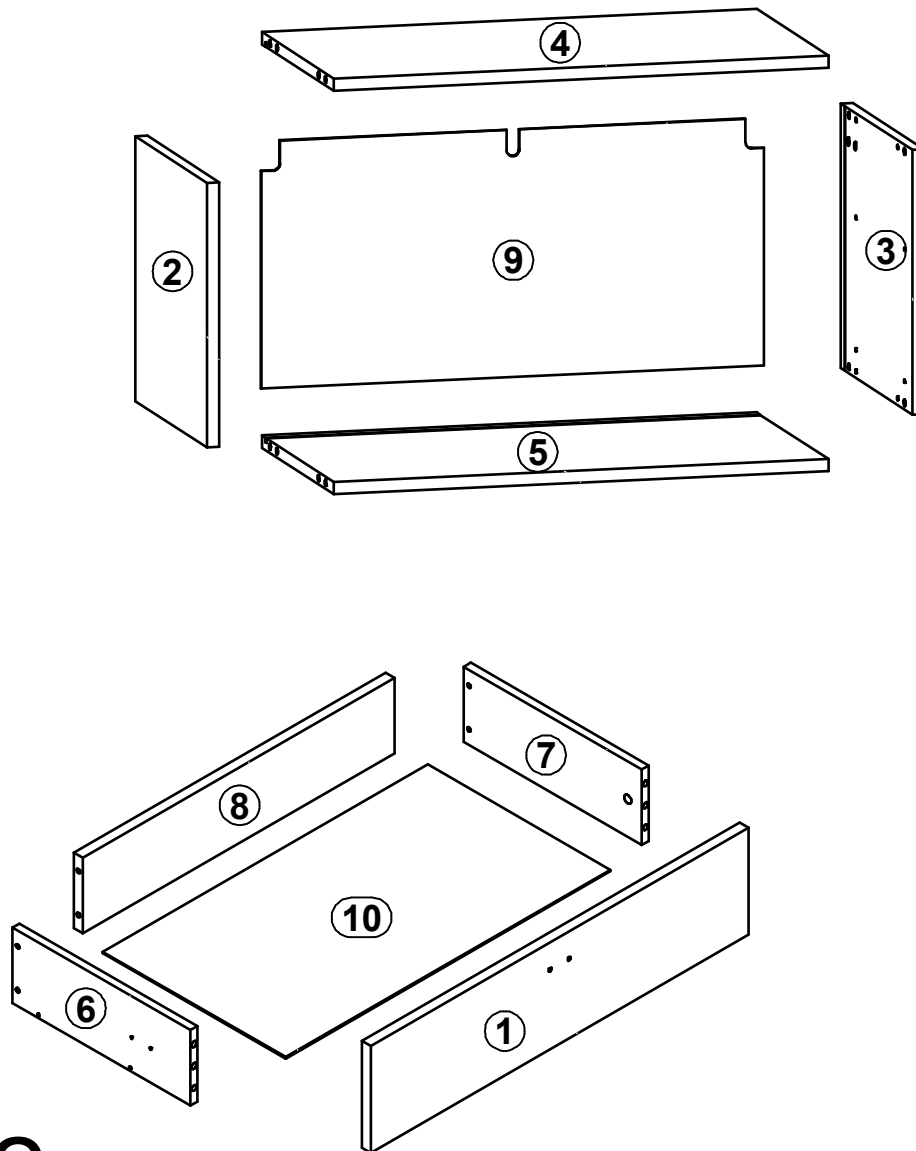


242702--05
13450246--
5109235
5109236
5109237



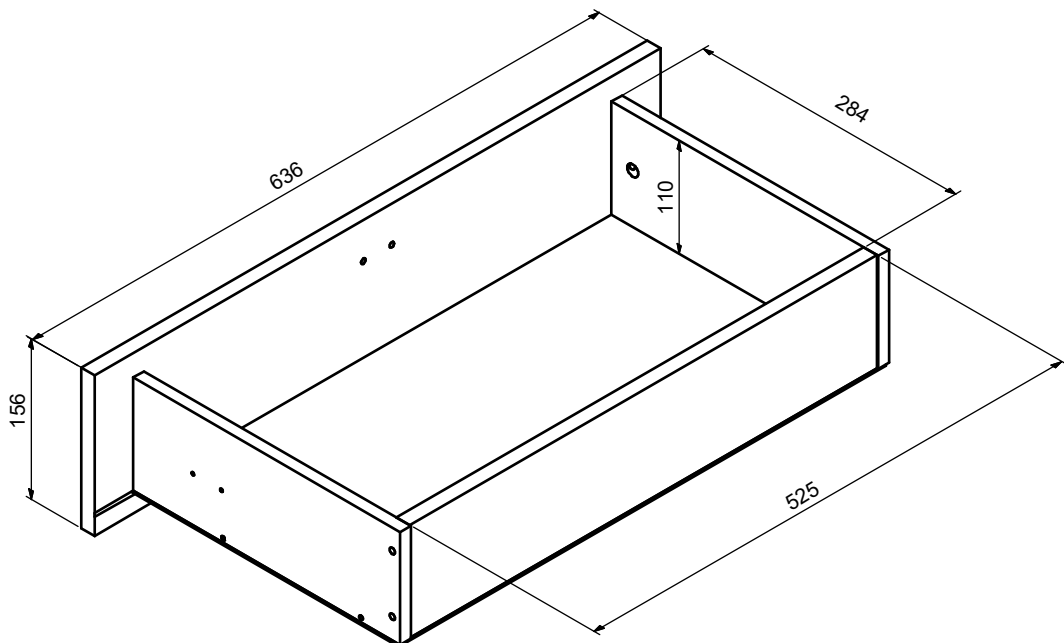
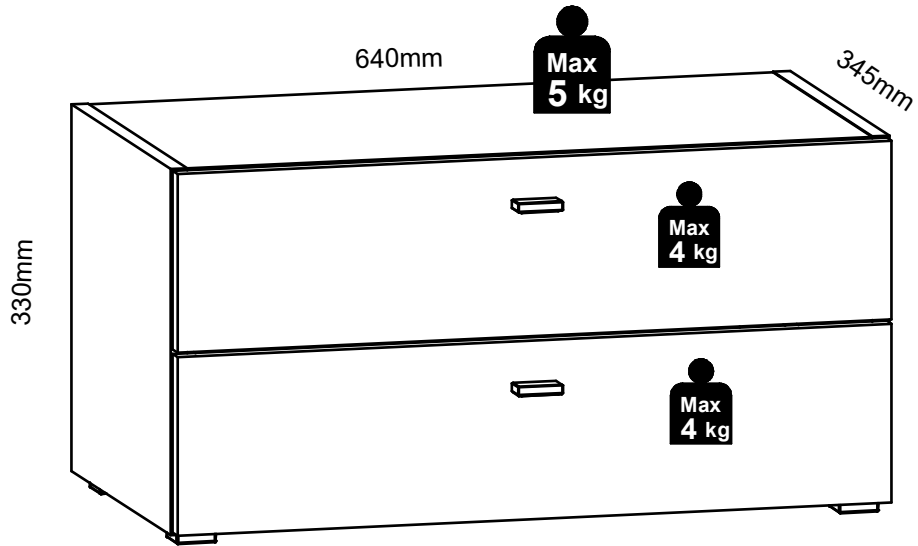
8x Ø6x30 mm e16	8x Ø5x9 mm e19	12x Ø5x16 mm e47	16x Ø8x30 mm f1	8x Ø6,5x40 mm f25
2x Ø10x50 mm f35	4x M4x22 mm j30	5x 35x35x10 mm k73	6x l2	1x 80x21x15x1,5 n14\2
1x n185\L	1x n185\P	4x Ø4x30 mm p21	2x Ø4x25 mm p36	11x Ø3,5x15 mm p51
12x Ø2,9x16 mm p55	2x Ø6x60 mm p127	8x Ø15x12 mm #16 r1	4x Ø12x10,5 mm #12 r15	12x 20/11 r42
2x w112\1	2x w112\2	4x w182	8x H=18 mm w36	2x 300 mm w37\CL
2x 300 mm w37\CR	2x 300 mm w37\DL	2x 300 mm w37\DR	2x L=40/oth. 32 c635	5x Ø8mm s6
6x Ø16 s2	2x Ø20mm s68			

A	B1	B2	C1	C2	C3	C4	D
1	S707-0001	-	636	156	15	2	1\1
2	S707-1007	-	320	330	15	1	1\1
3	S707-1008	-	320	330	15	1	1\1
4	S707-3001	-	610	330	15	1	1\1
5	S707-3002	-	610	330	15	1	1\1
6	S707-5401	-	300	110	12	2	1\1
7	S707-5402	-	300	110	12	2	1\1
8	STR-5064	-	525	110	15	2	1\1
9	S707-9001	-	299	620	2,5	1	1\1
10	WSD-9147	-	547	308	2,5	2	1\1

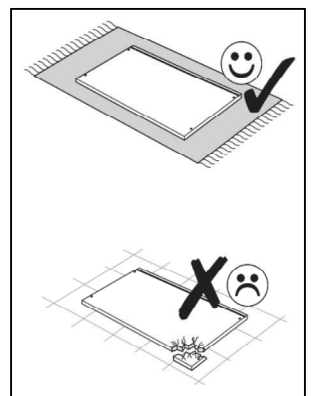
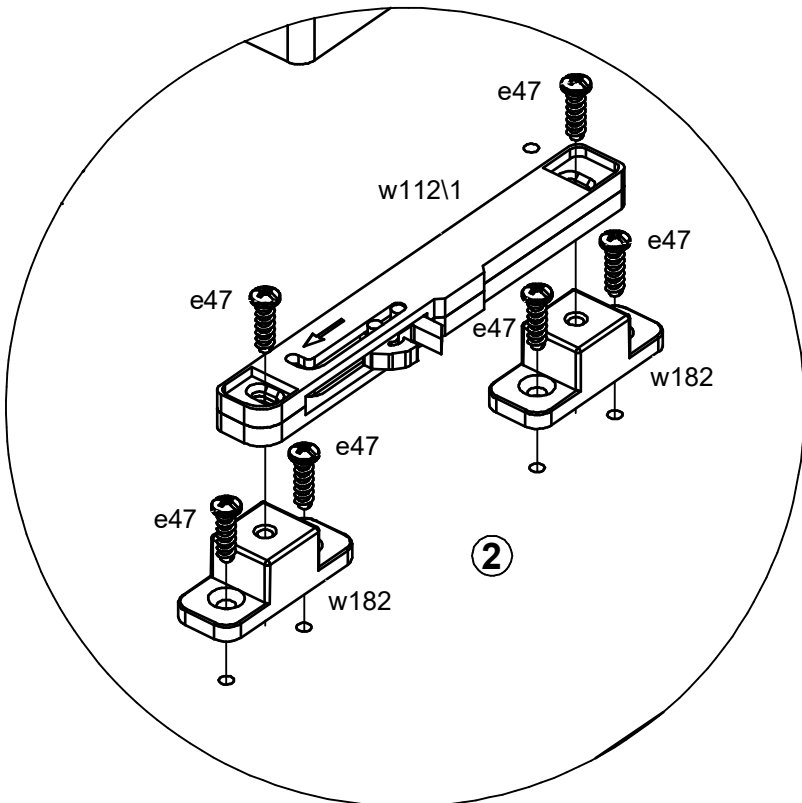
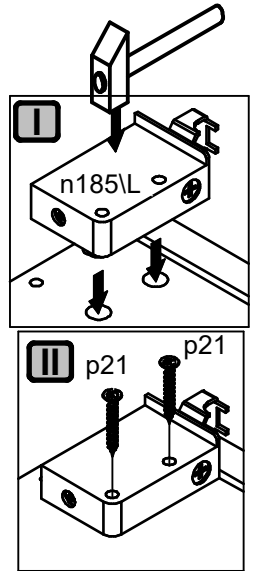
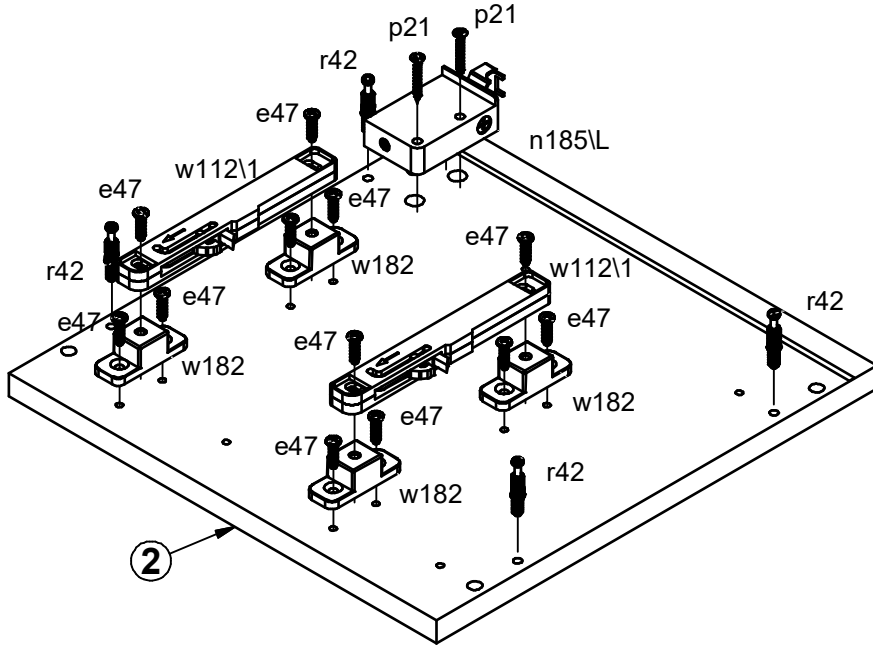
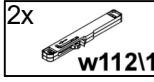
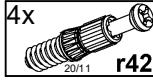
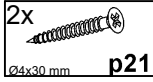
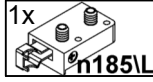
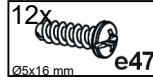


2x



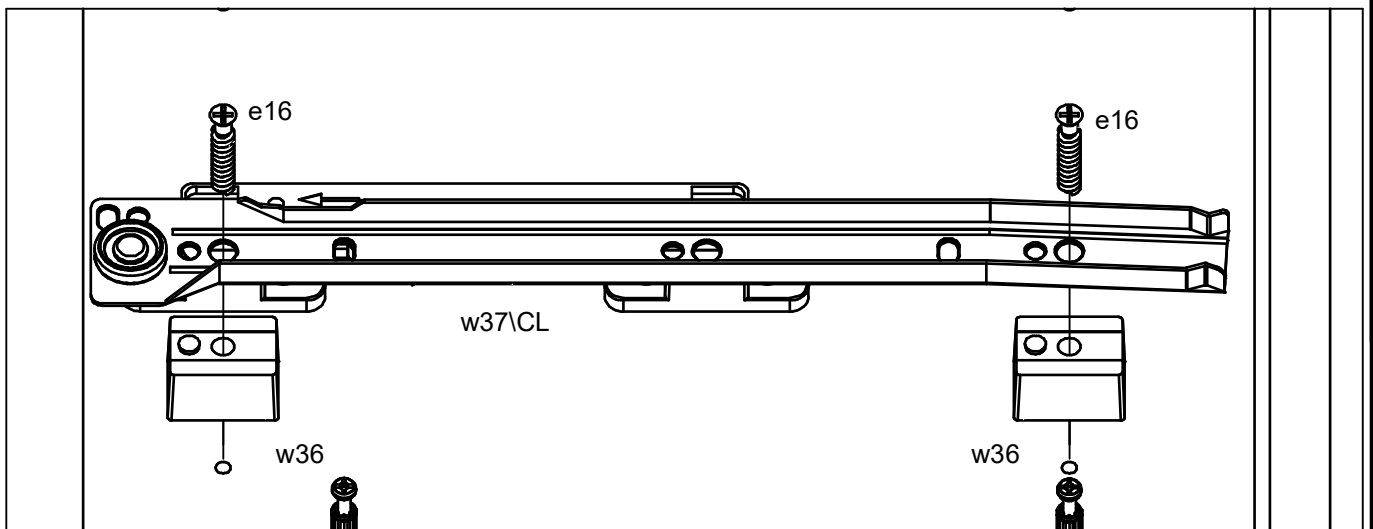
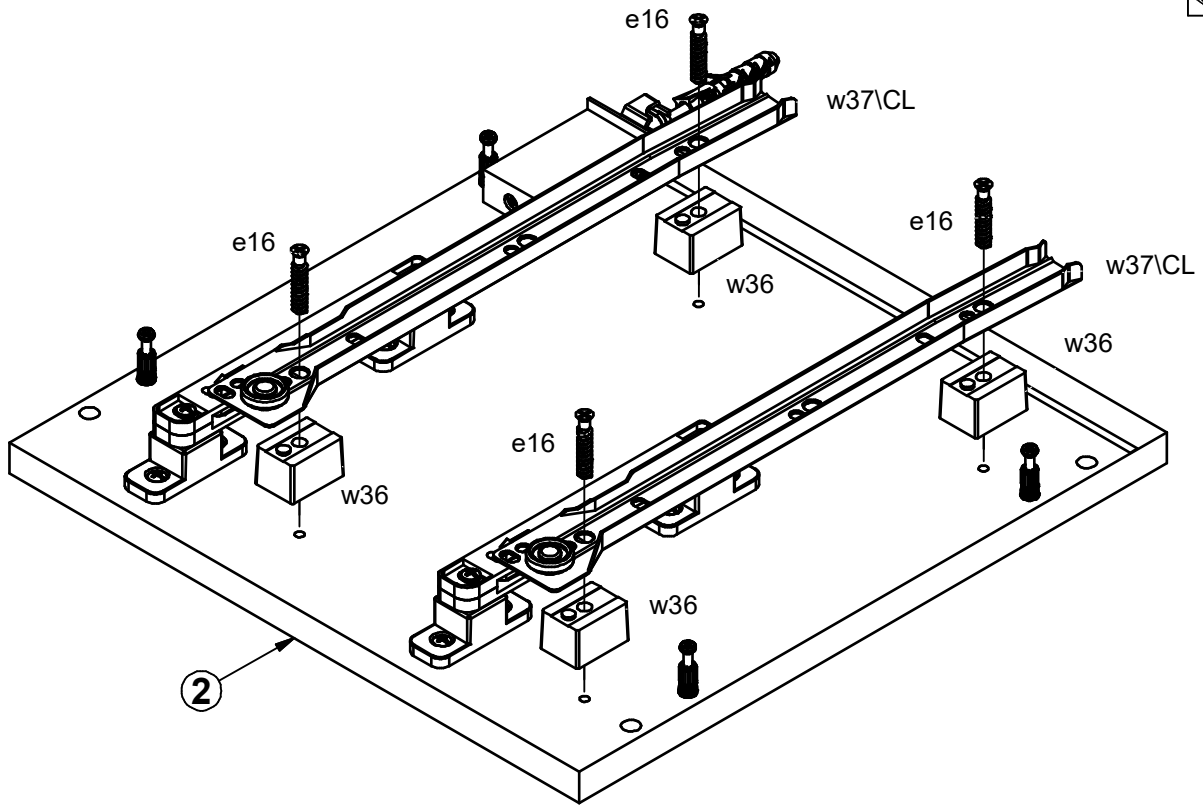


1 ▶



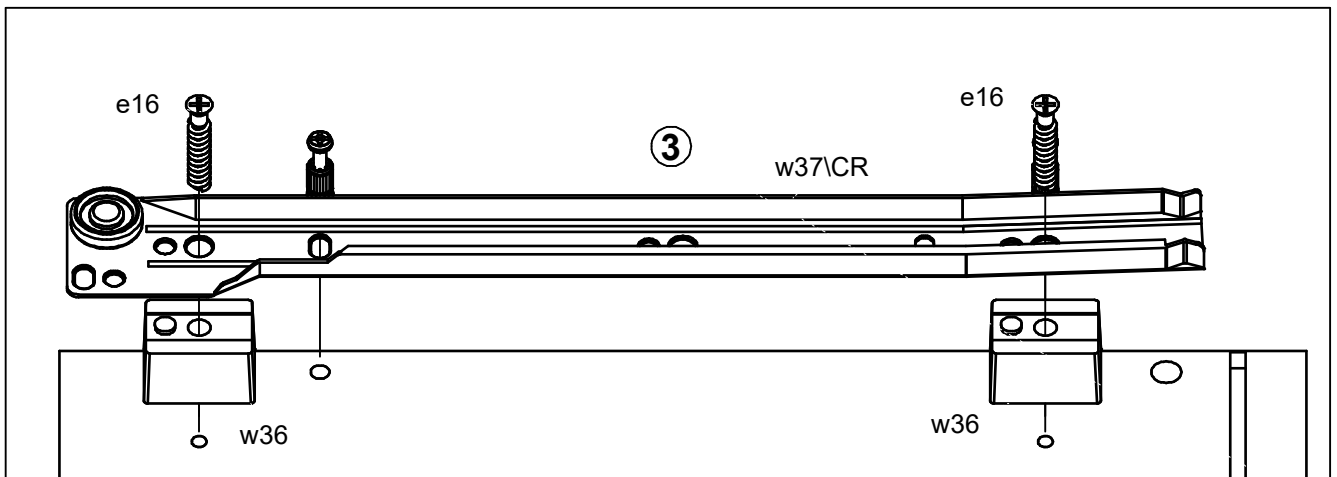
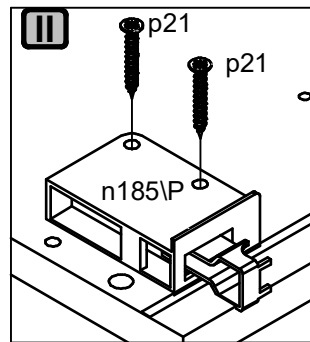
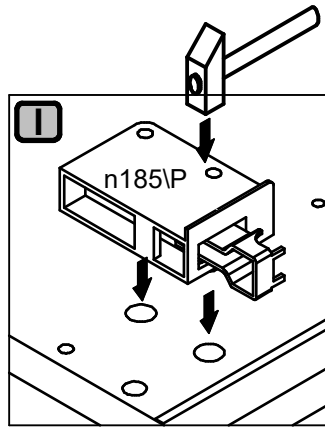
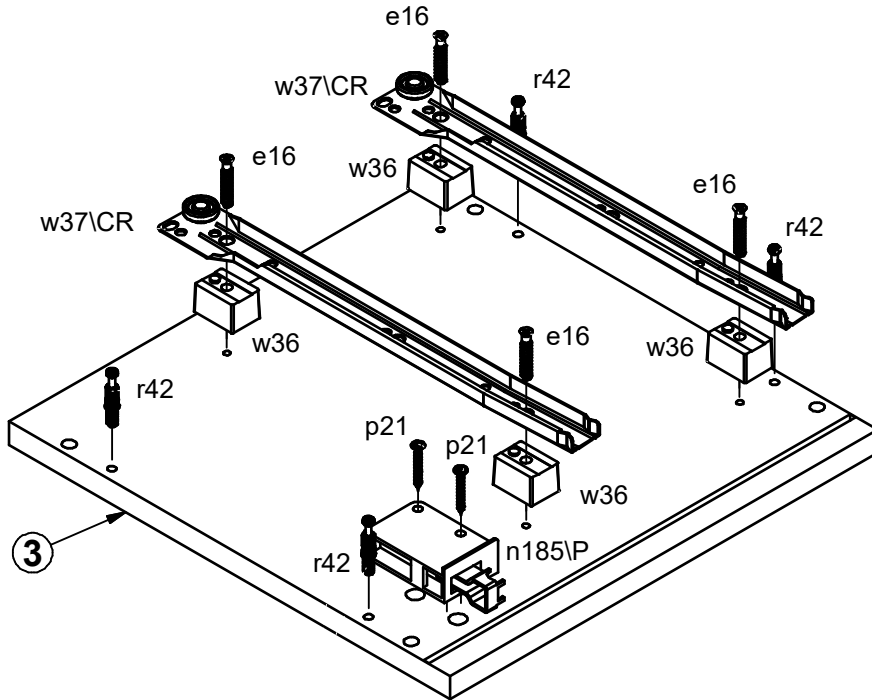
2 ▶

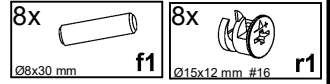
4x H=18 mm w36	4x Ø6x30 mm e16
2x 300 mm w37\CL	



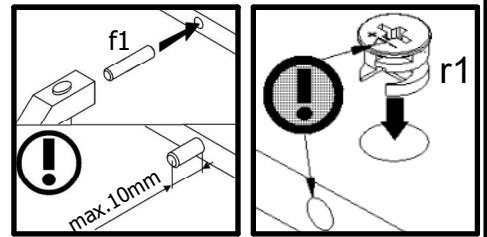
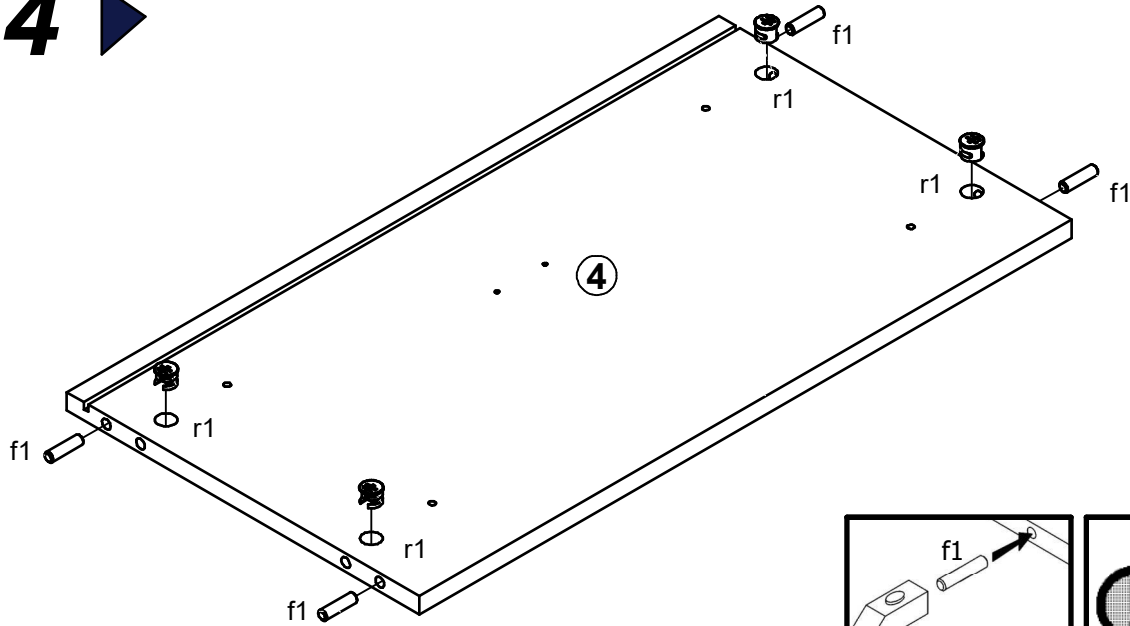
2x Ø4x30 mm p21	1x n185P H=18 mm	4x H=18 mm w36	2x 300 mm w37\CR
			4x Ø6x30 mm e16

3 ▶

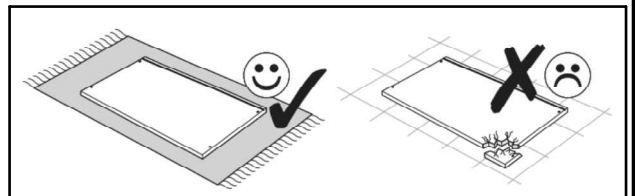
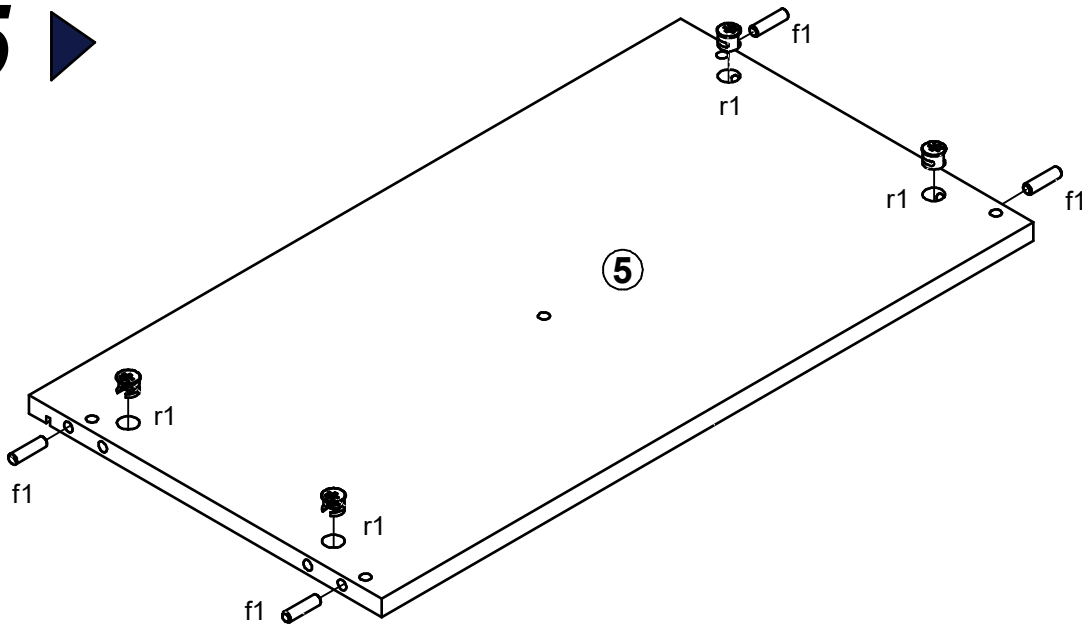




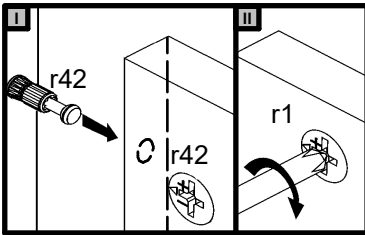
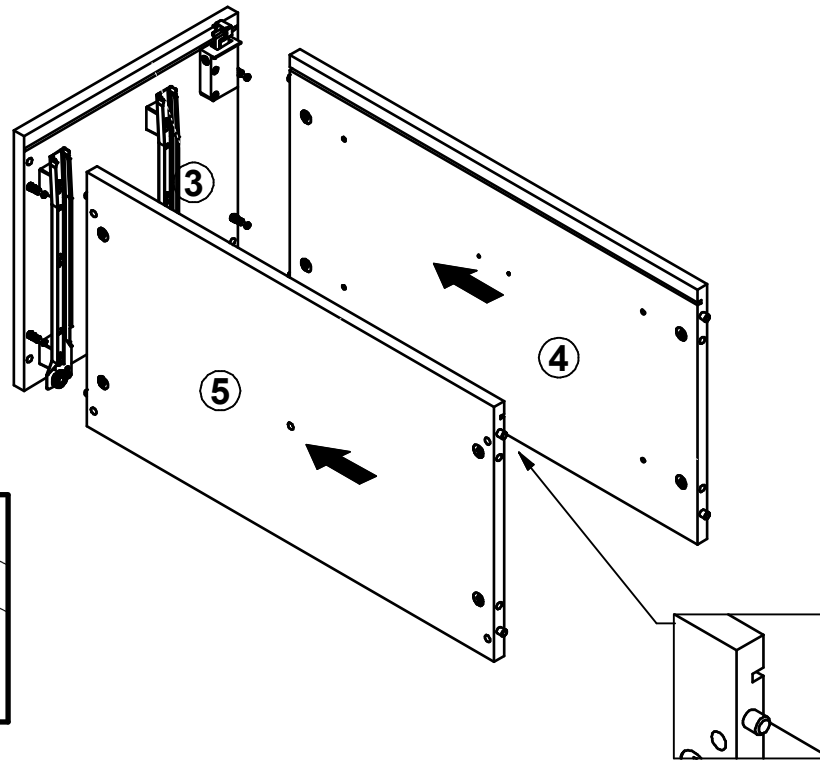
4 ▶



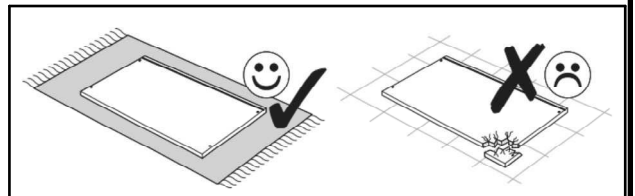
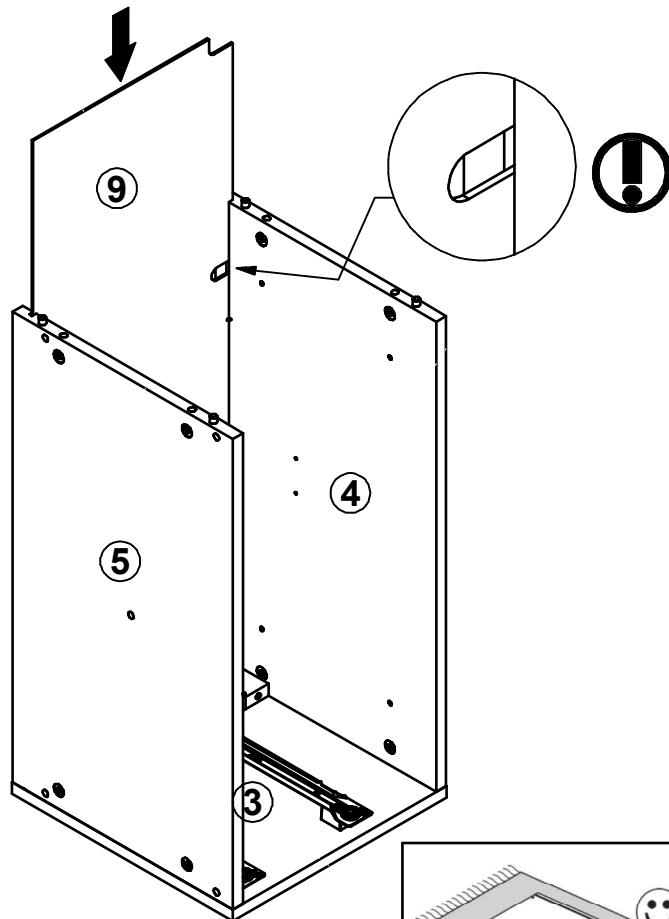
5 ▶



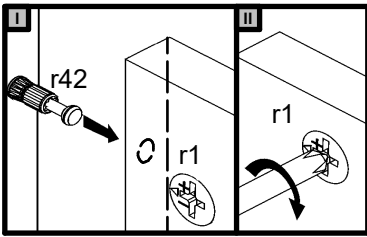
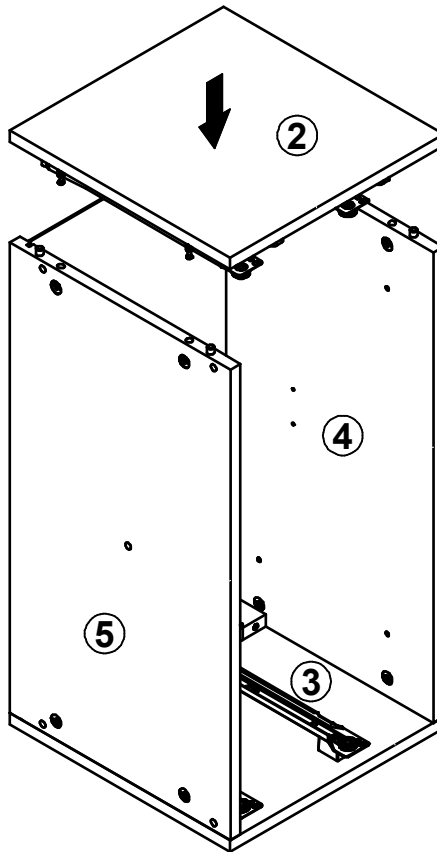
6 ▶



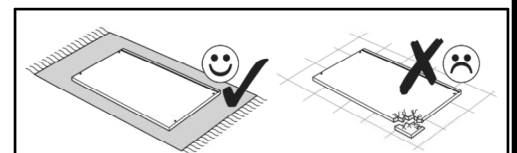
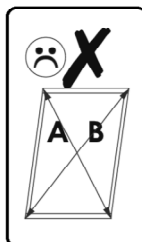
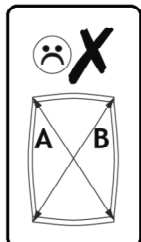
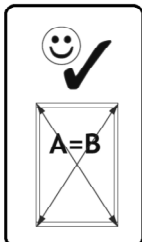
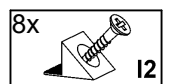
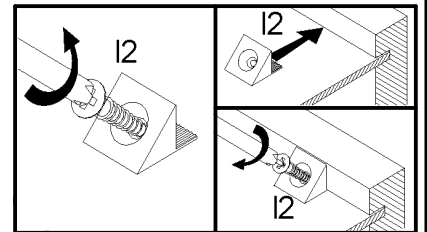
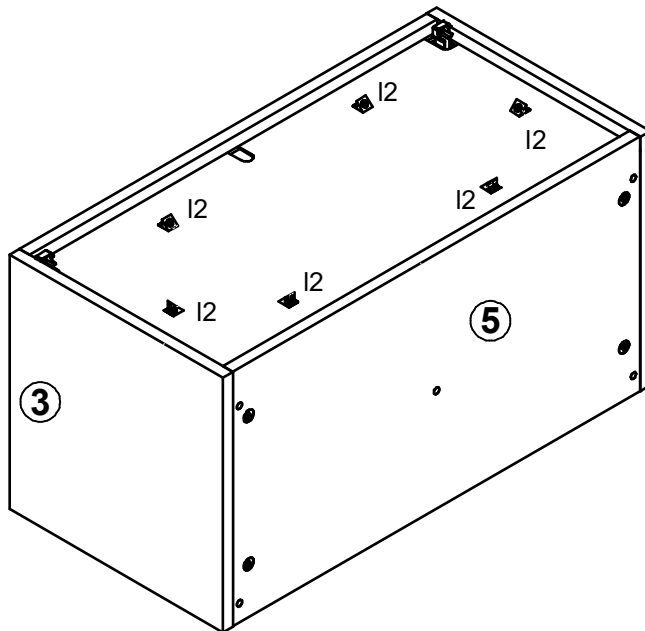
7 ▶

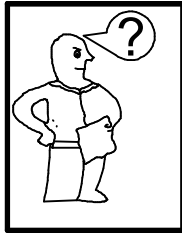


8 ▶



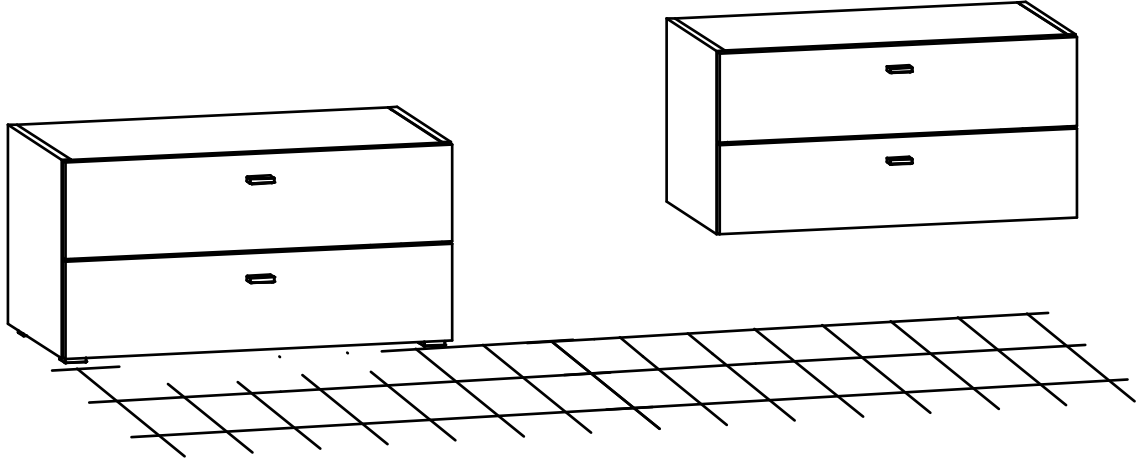
9 ▶





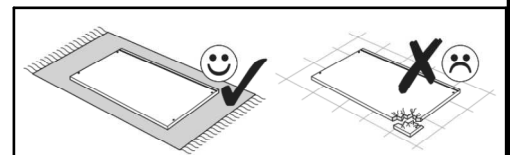
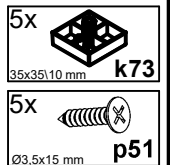
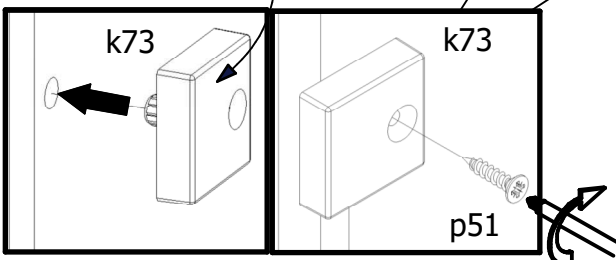
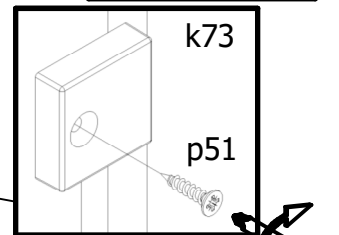
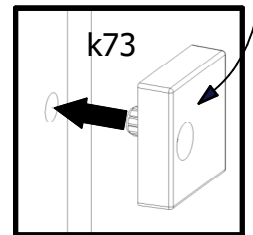
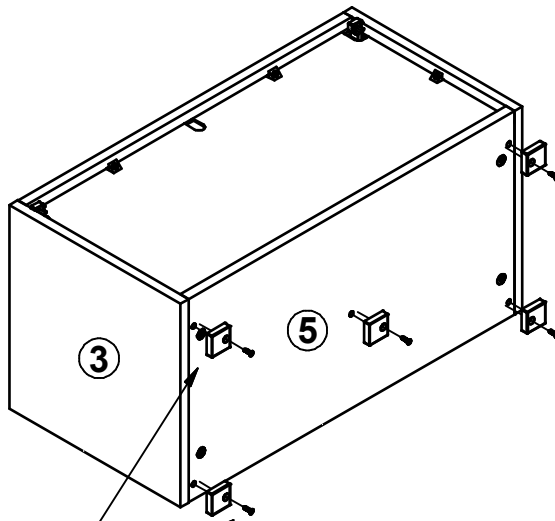
A

B

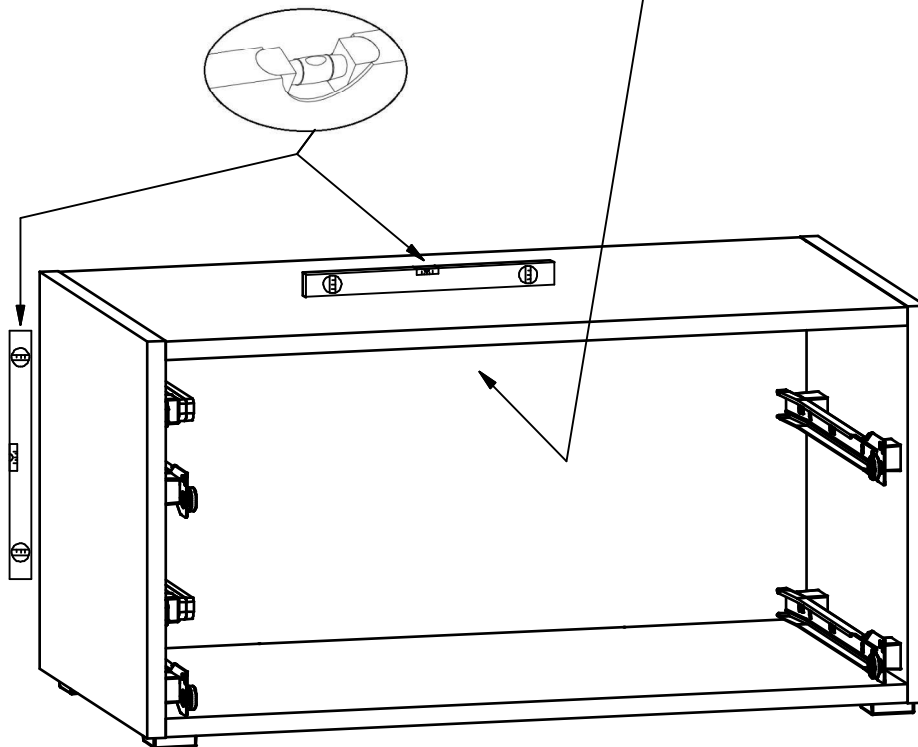
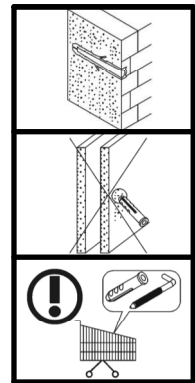
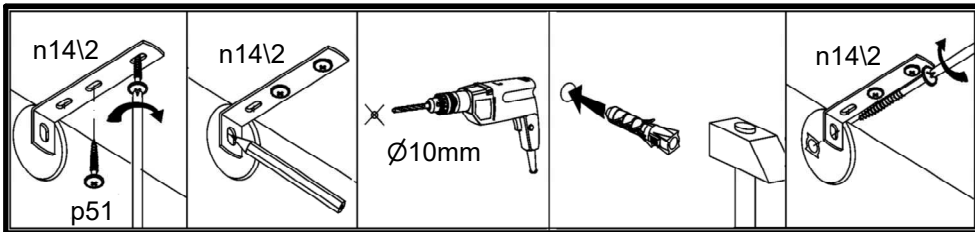
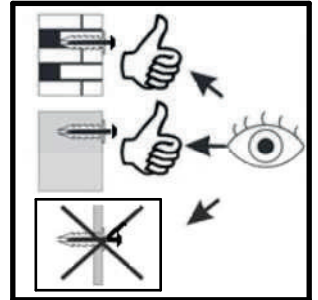
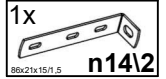
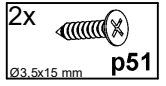


⚠ A

10 ▶

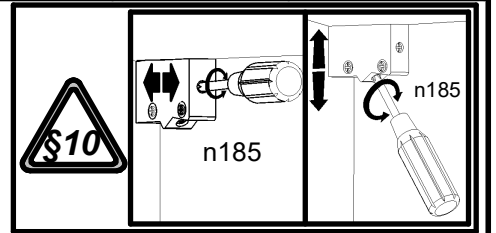
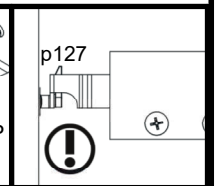
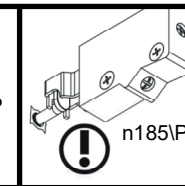
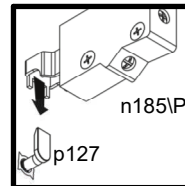
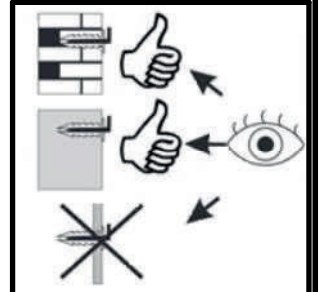
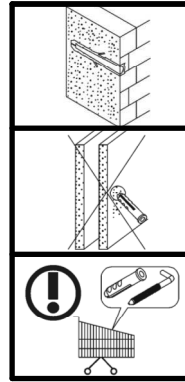
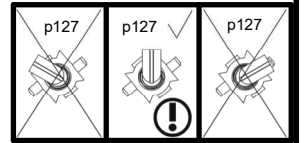
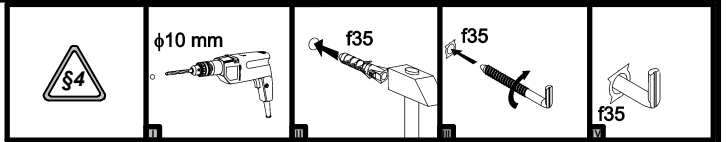
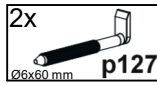
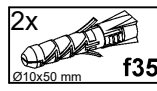
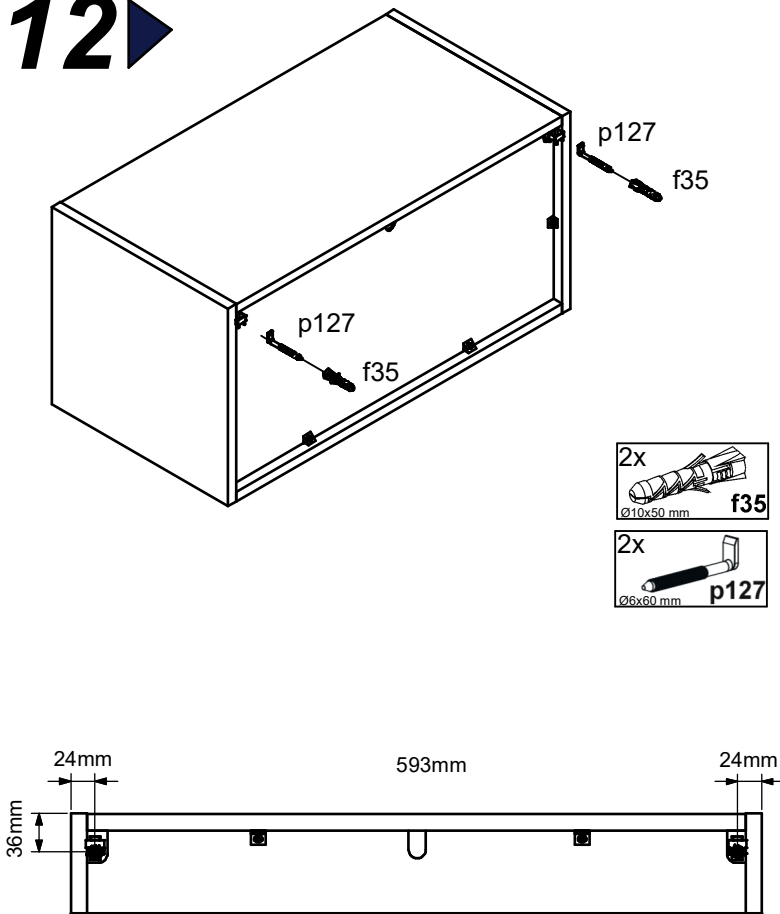
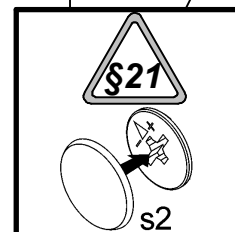
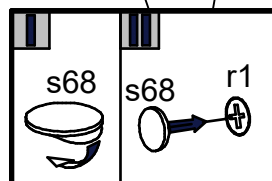
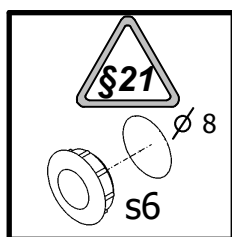
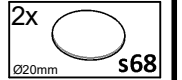
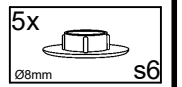
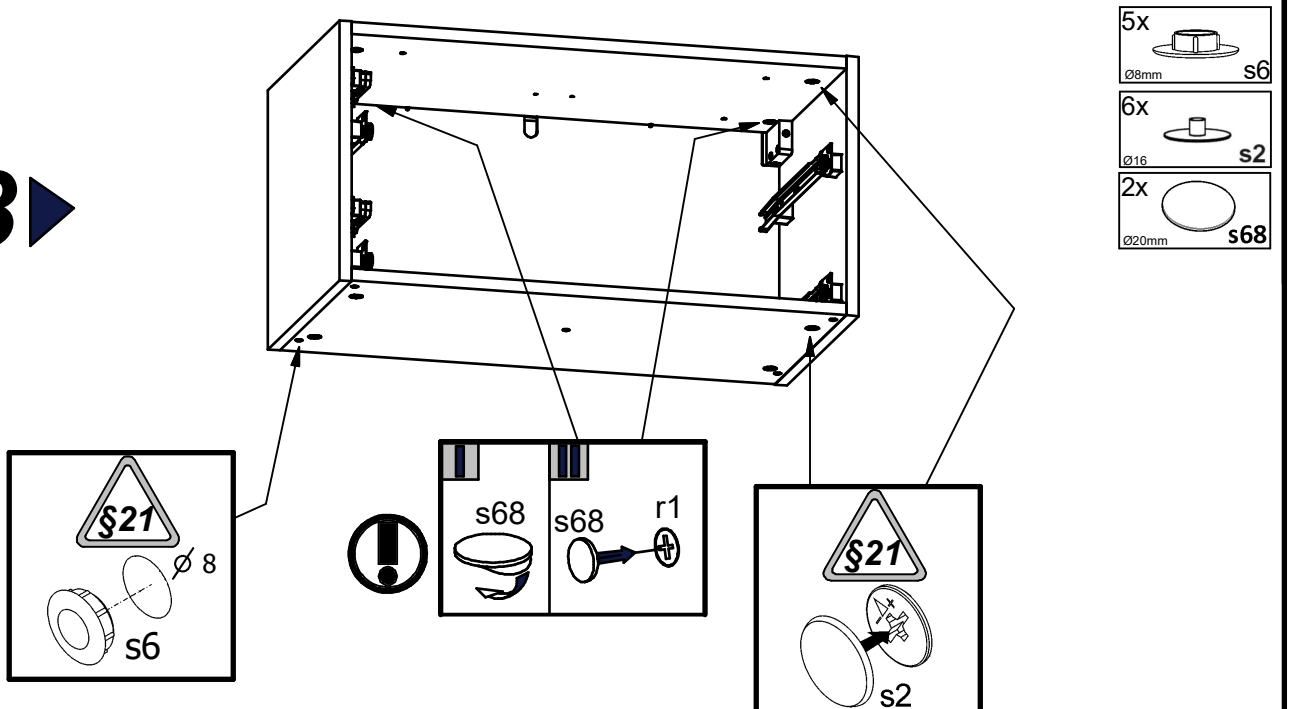


11 ▶



A**S707-KOM2S**

12 / 17

B **12** **B** **13** 

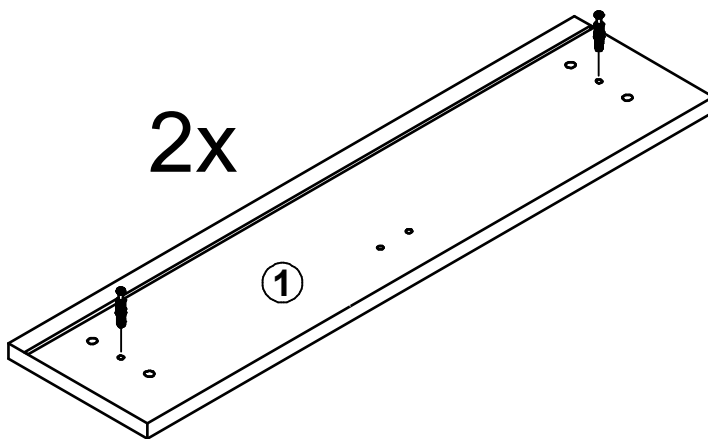
A



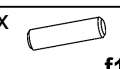

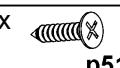
S707-KOM2S

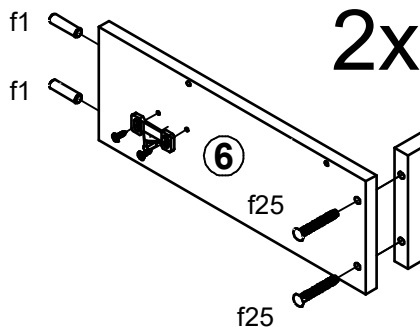
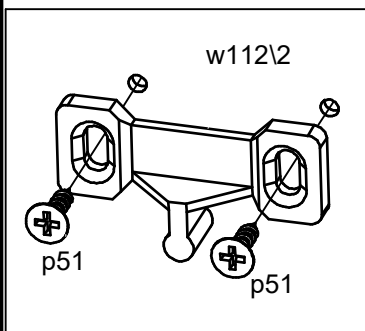
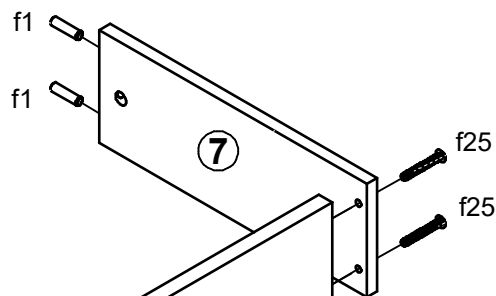
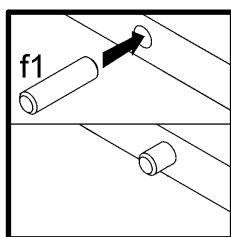
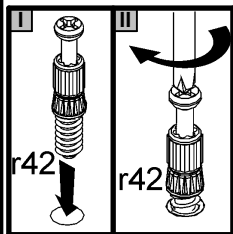
13 / 17

14 ▶

2x

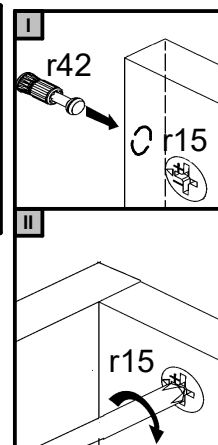
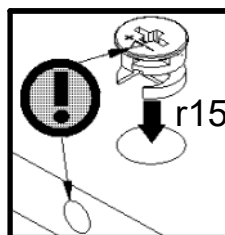
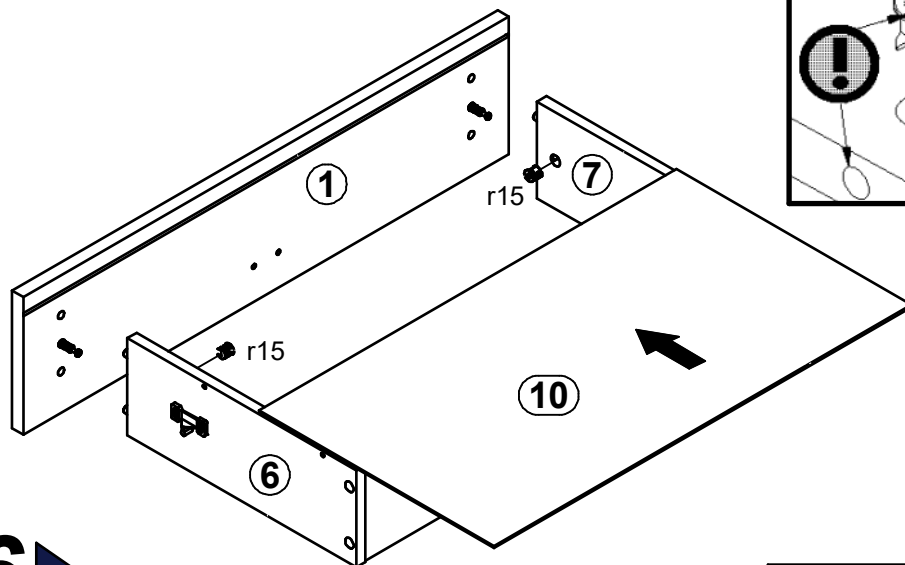


- 4x  r42
- 8x  f25
Ø6.5x40 mm
- 8x  f1
Ø8x30 mm
- 2x  w112\2
- 4x  p51
Ø3.5x15 mm

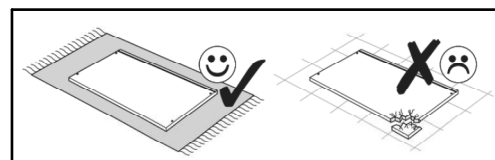


2x

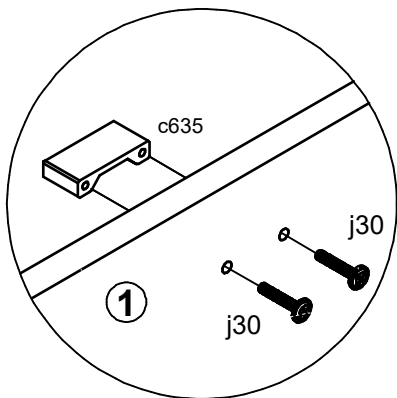
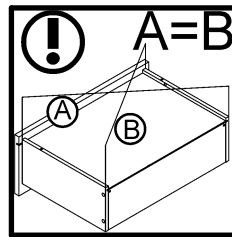
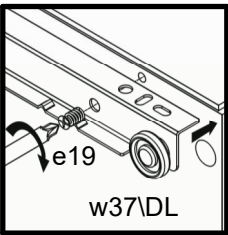
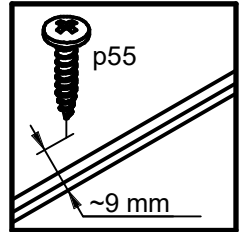
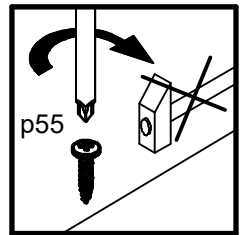
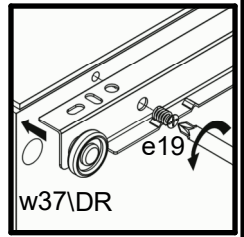
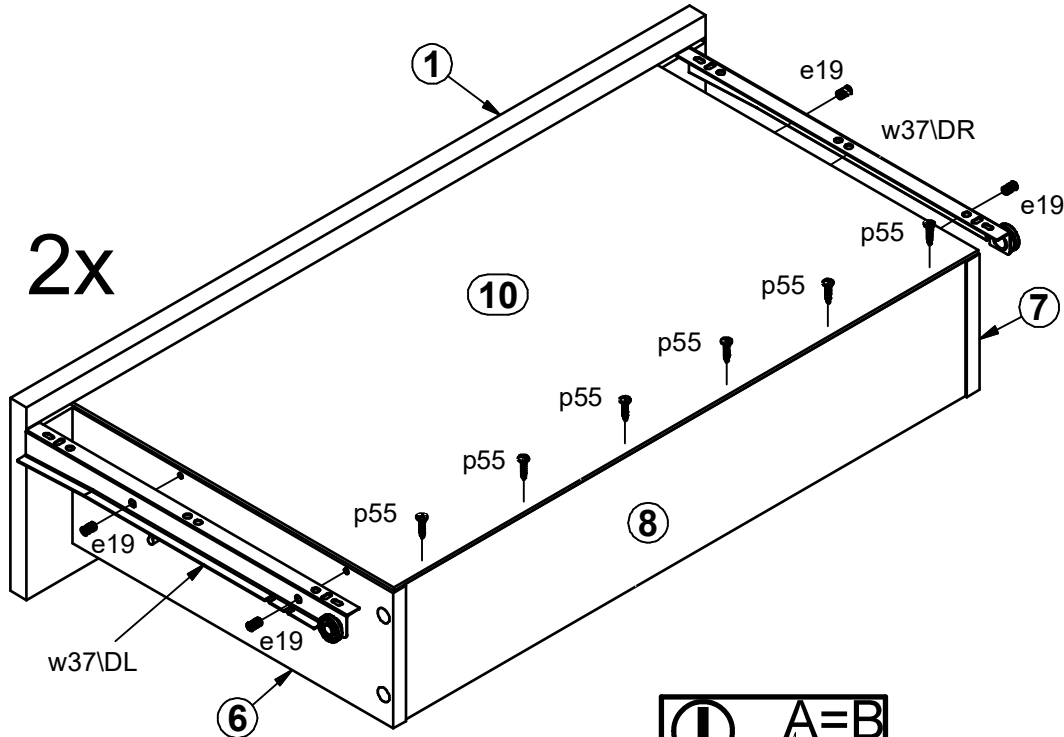
▶15



16 ▶

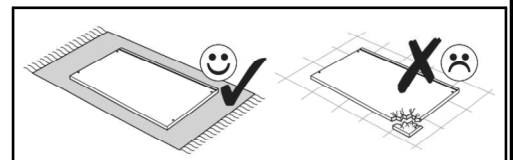
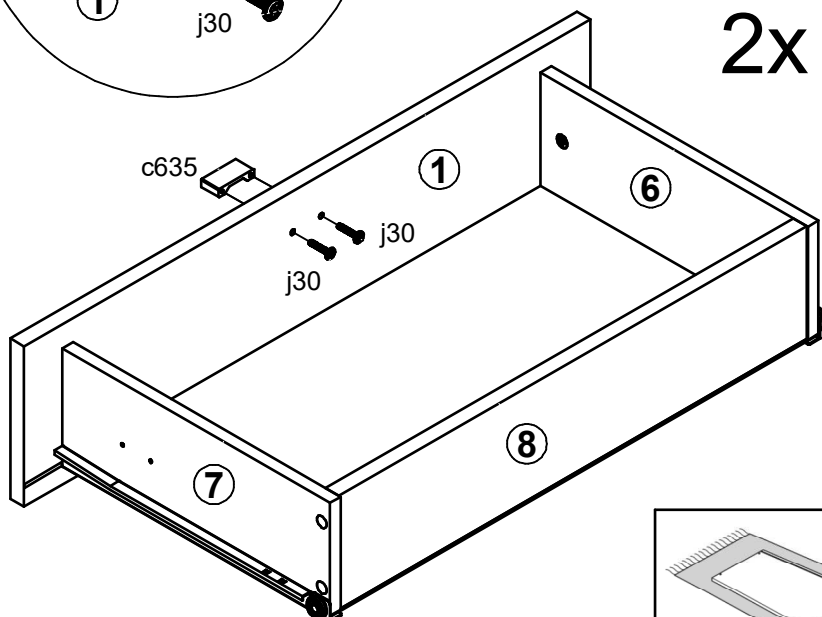


17 ▶

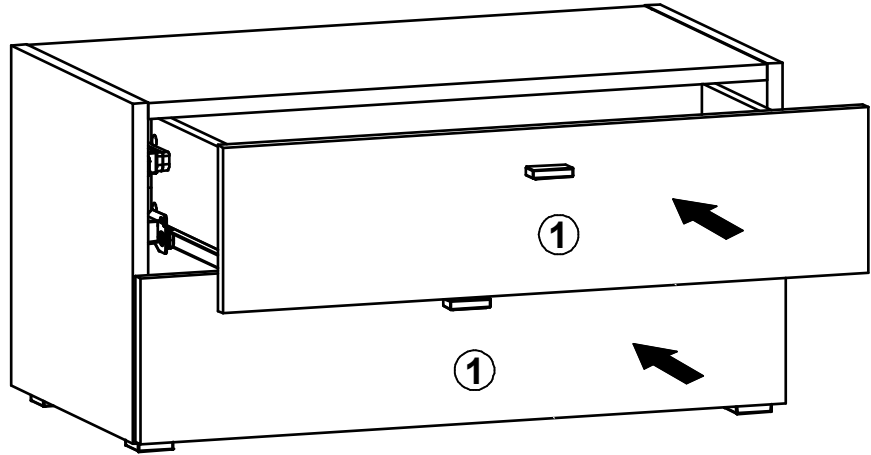
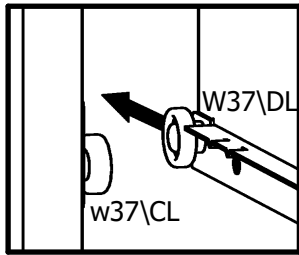


- 8x e19
Ø5x9 mm
- 2x w37\DL
300 mm
- 2x w37\DR
300 mm
- 12x p55
Ø2.9x16 mm
- 2x c635
L=40/øw.32
- 4x j30
M4x22 mm

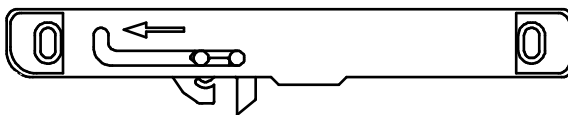
18 ▶



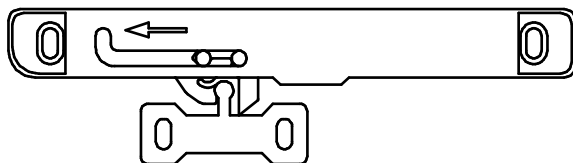
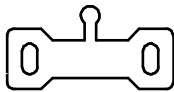
18 ▶



w112\1



w112\2



w112\1



OPTION

