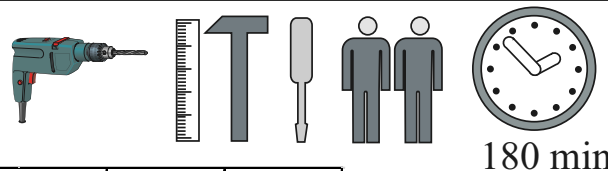
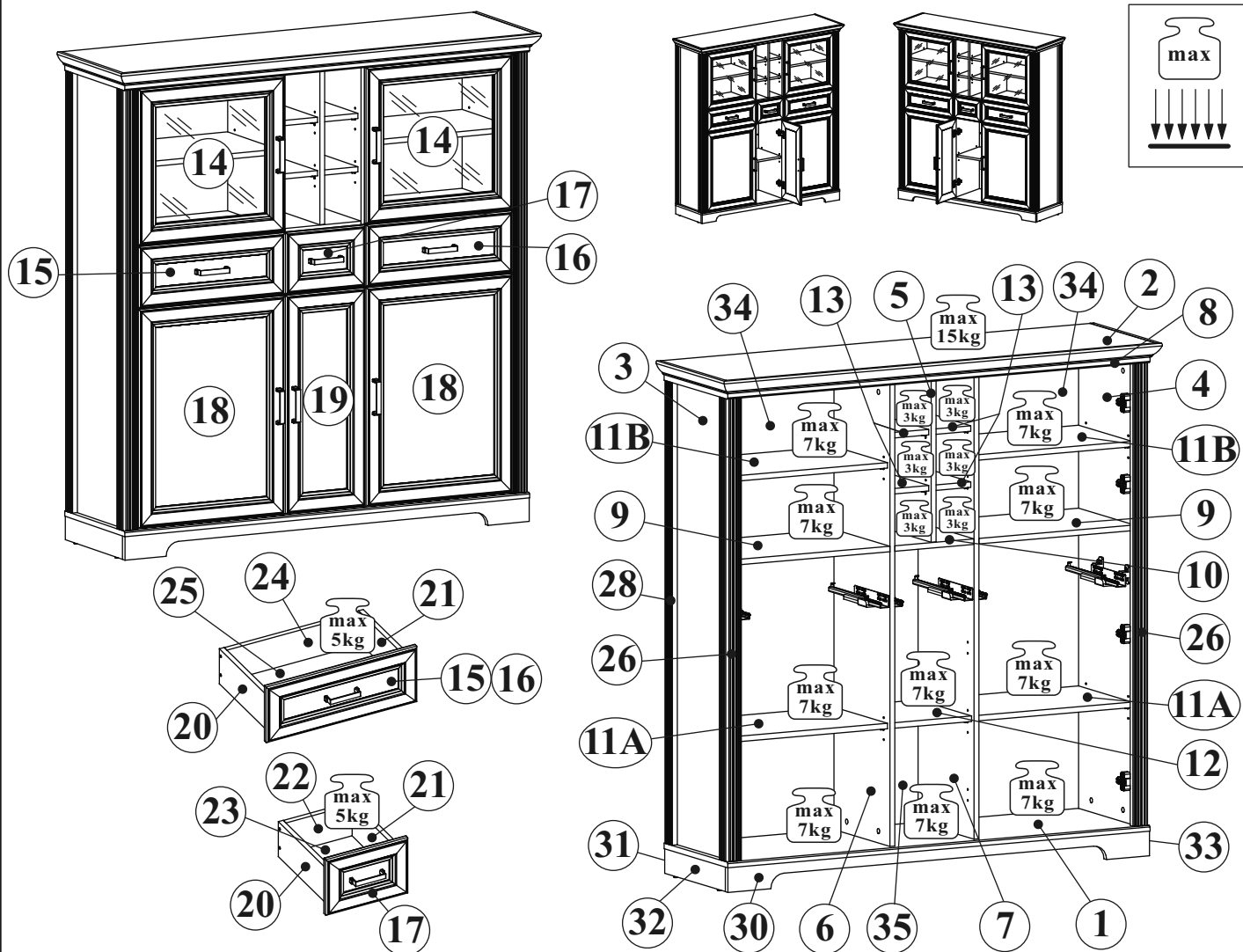


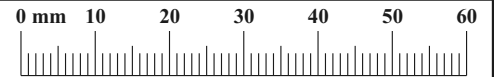
# JASMIN 10G9\_22



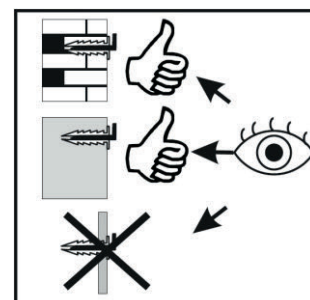
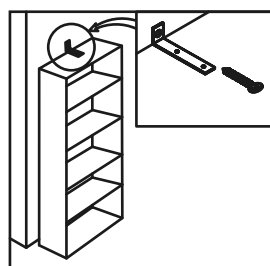
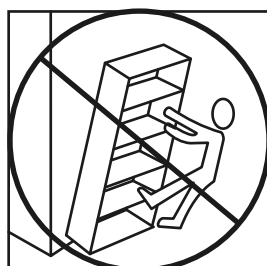
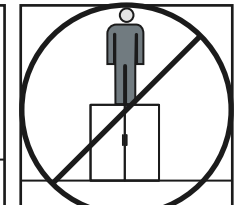
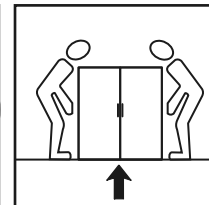
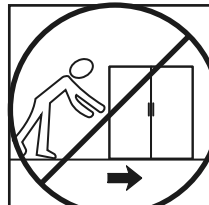
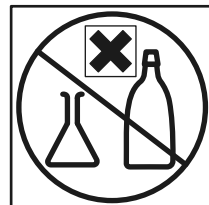
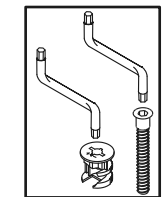
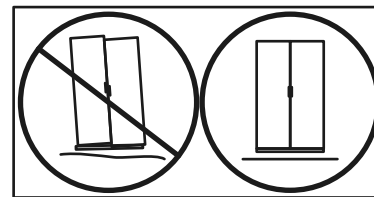
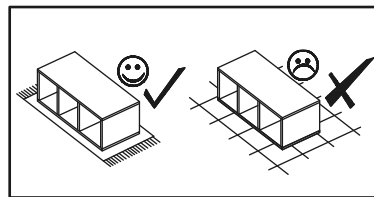
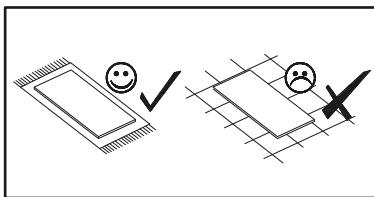
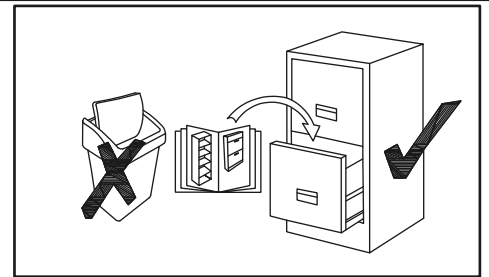
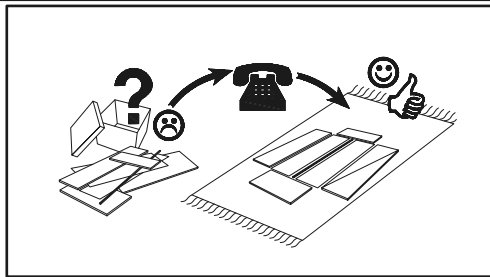
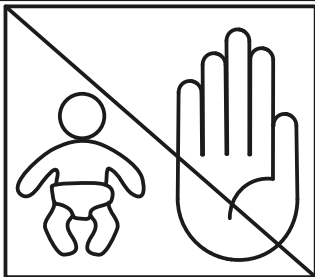
180 min

NO	Dim.		Col.-No	Qty
1	1376	386	2	1
2	1429	412	2	1
3	1346	359	3	1
4	1346	359	3	1
5	473	334	3	1
6	1346	339	3	1
7	1346	339	4	1
8	1376	386	2	1
9	507	339	2	2
10	258	339	3	1
11A	507	324	1	2
11B	507	324	1	2
12	258	324	3	1
13	121	319	3	4
14	476	496	1	2
15	496	188	1	1
16	496	188	1	1
17	270	188	1	1

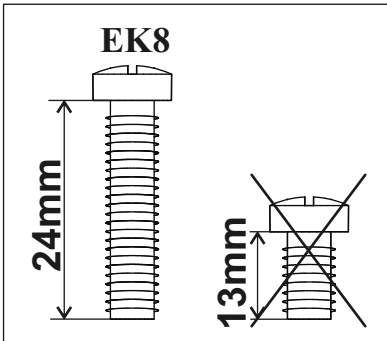
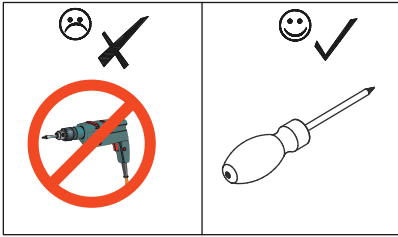
NO	Dim.		Col.-No	Qty
18	668	496	1	2
19	668	270	1	1
20	300	120	4	3
21	300	120	4	3
22	218	106	4	1
23	304	230	4	1
24	442	106	4	2
25	454	304	4	2
26	1346	49	3	2
28	1346	43	3	2
30	1374	72	2	1
31	1340	72	3	1
32	369	72	4	1
33	369	72	4	1
34	1360	522	4	2
35	1360	274	4	1

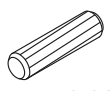

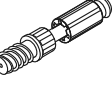
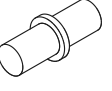
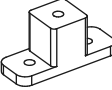
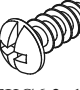


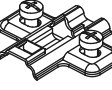




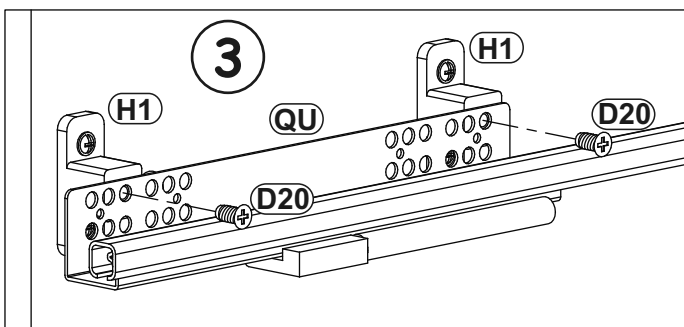
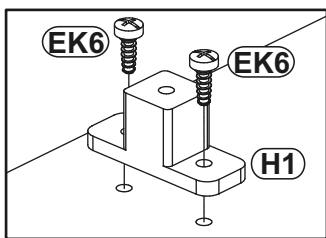
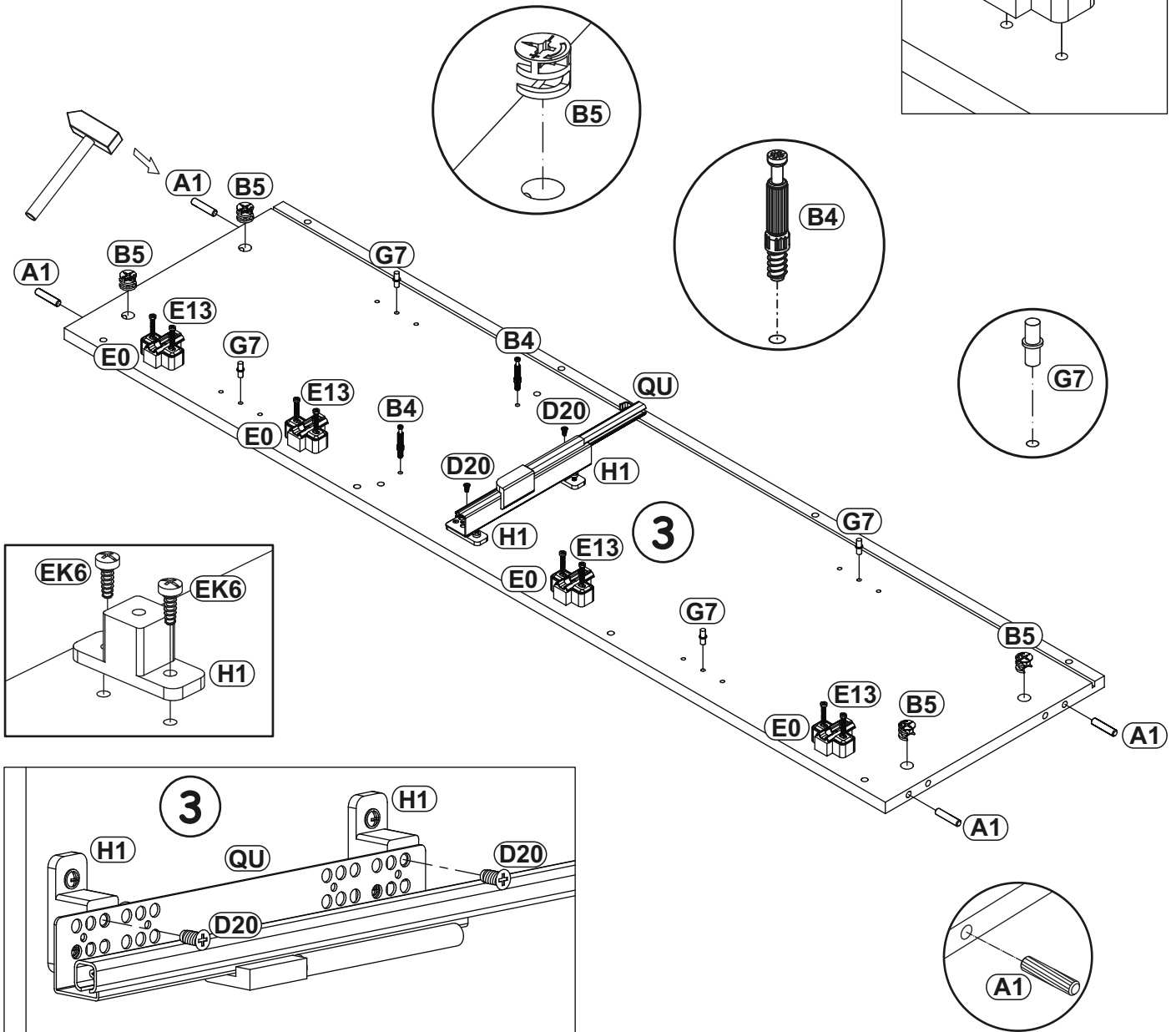
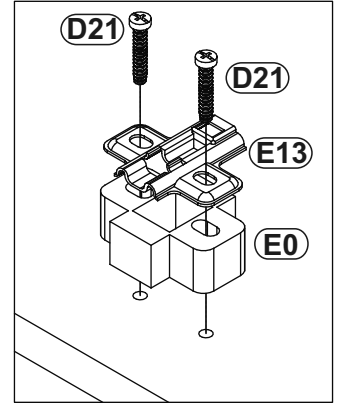
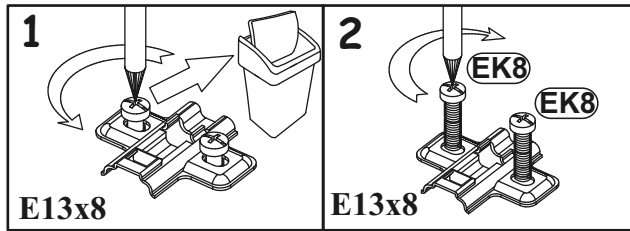
A1 x58  ø8x36	B4 x38 	B5 x46  ø15x12	G5 x46 	B11 x16  Ø7x50	B14 x24  Ø7x30
E9 x2  H=8	E17 x8  H=16	E13 x10 	E0 x8  H=11	EK8 x16  EKØ6,3x24	G4 x30 
QU x3  L-300	D20 x12  ESØ6,3x9,5	D10 x38  USØ3,5x13	H1 x4 	EK6 x8  EKØ6,3x13	G7 x28 
C19 x8 	D34 x6  M4x16	D4 x10  M4x30	Z2 x4  Ø5	KM1 x3 	I2 x6 
S1 x23 	G16 x18 	UP13 x37  UPØ3x16	L1 x2 	KR1 x2 	G2 x1 
UP9 x8  UPØ3,5x16	I9 x2  H-60 mm.	OS3 x2 	B6 x4  Ø7x76	PH x8 	G12 x8  Ø14



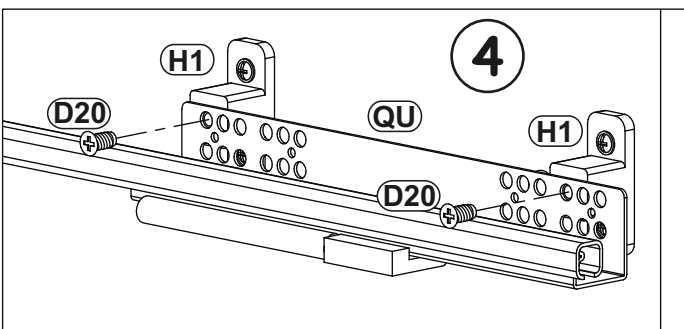
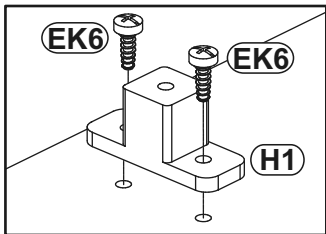
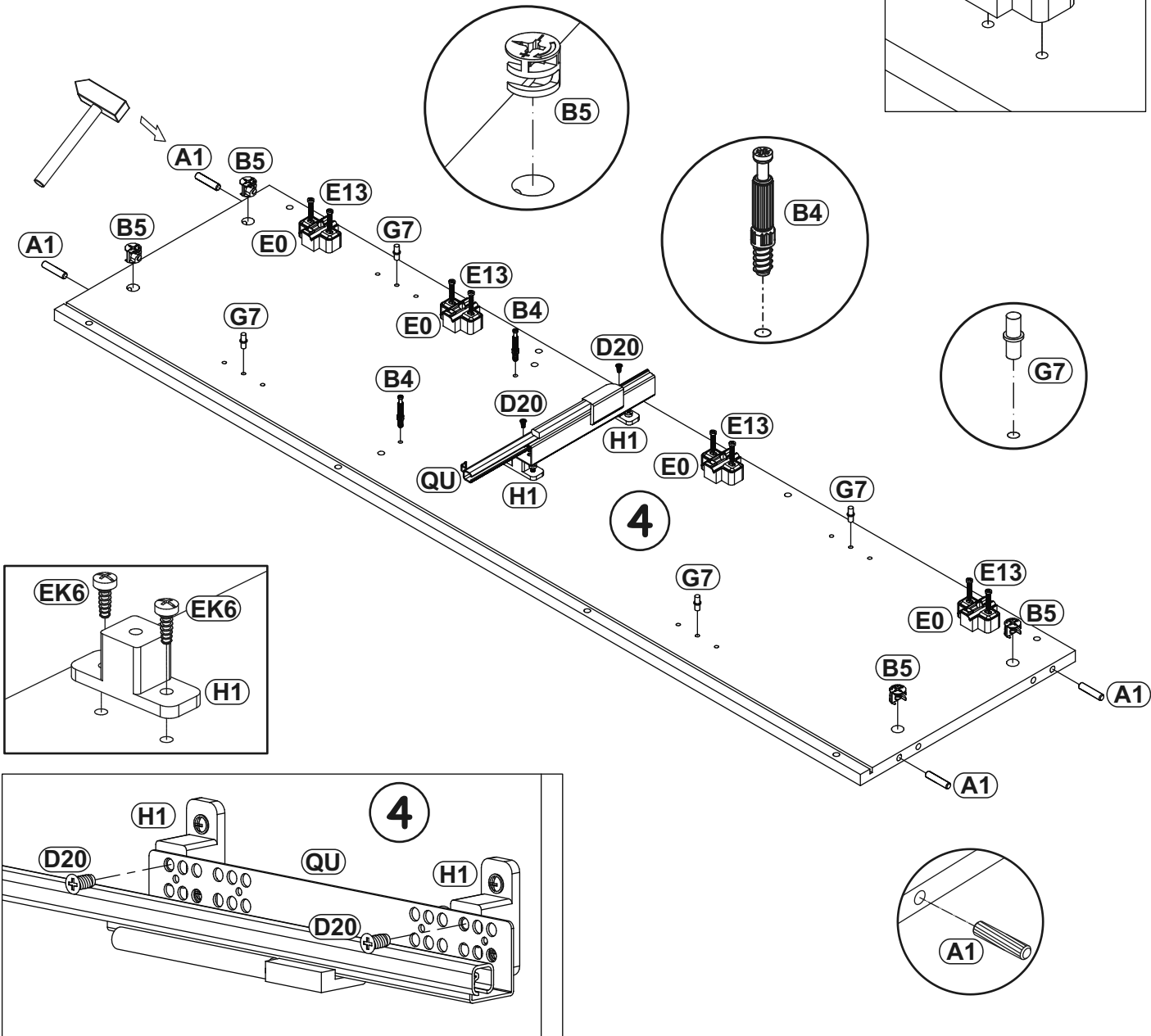
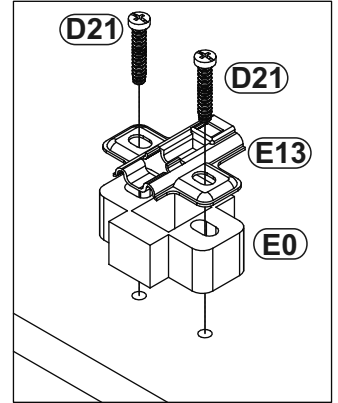
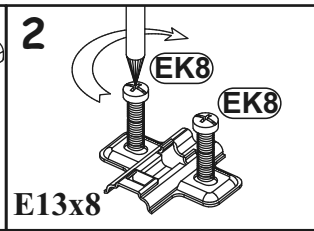
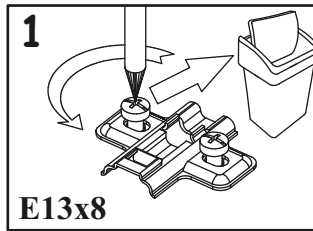
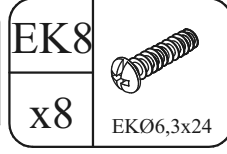
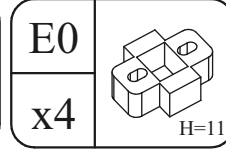
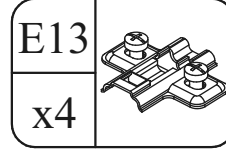
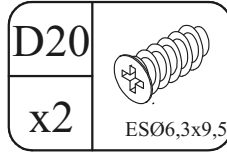
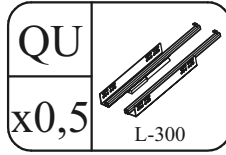
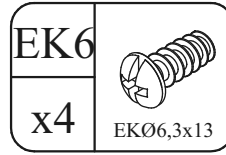
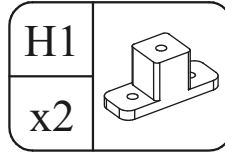
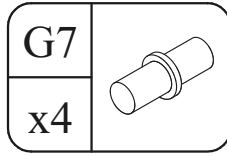
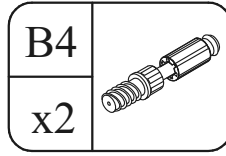
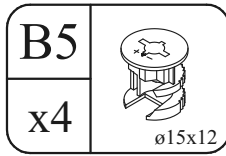
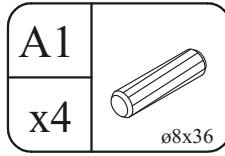
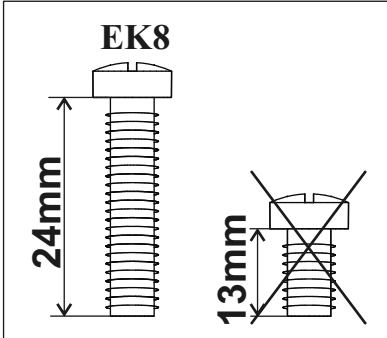
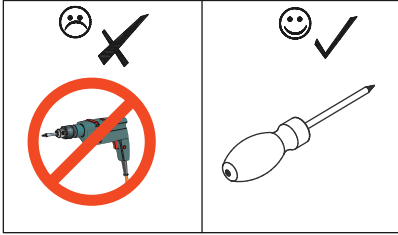
1



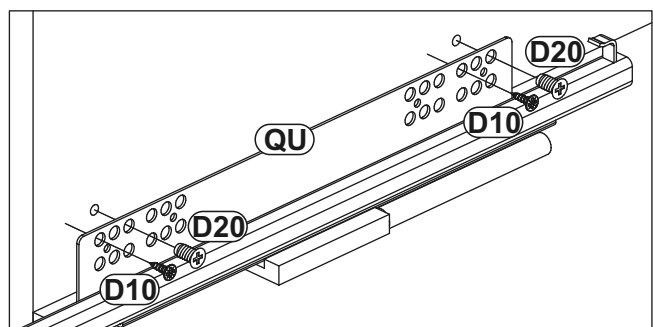
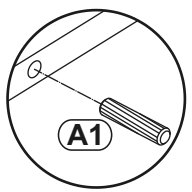
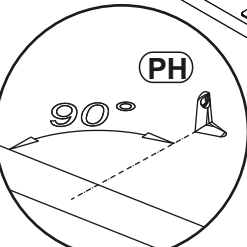
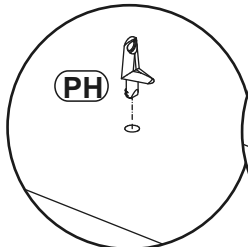
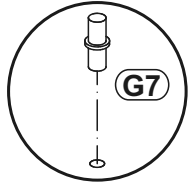
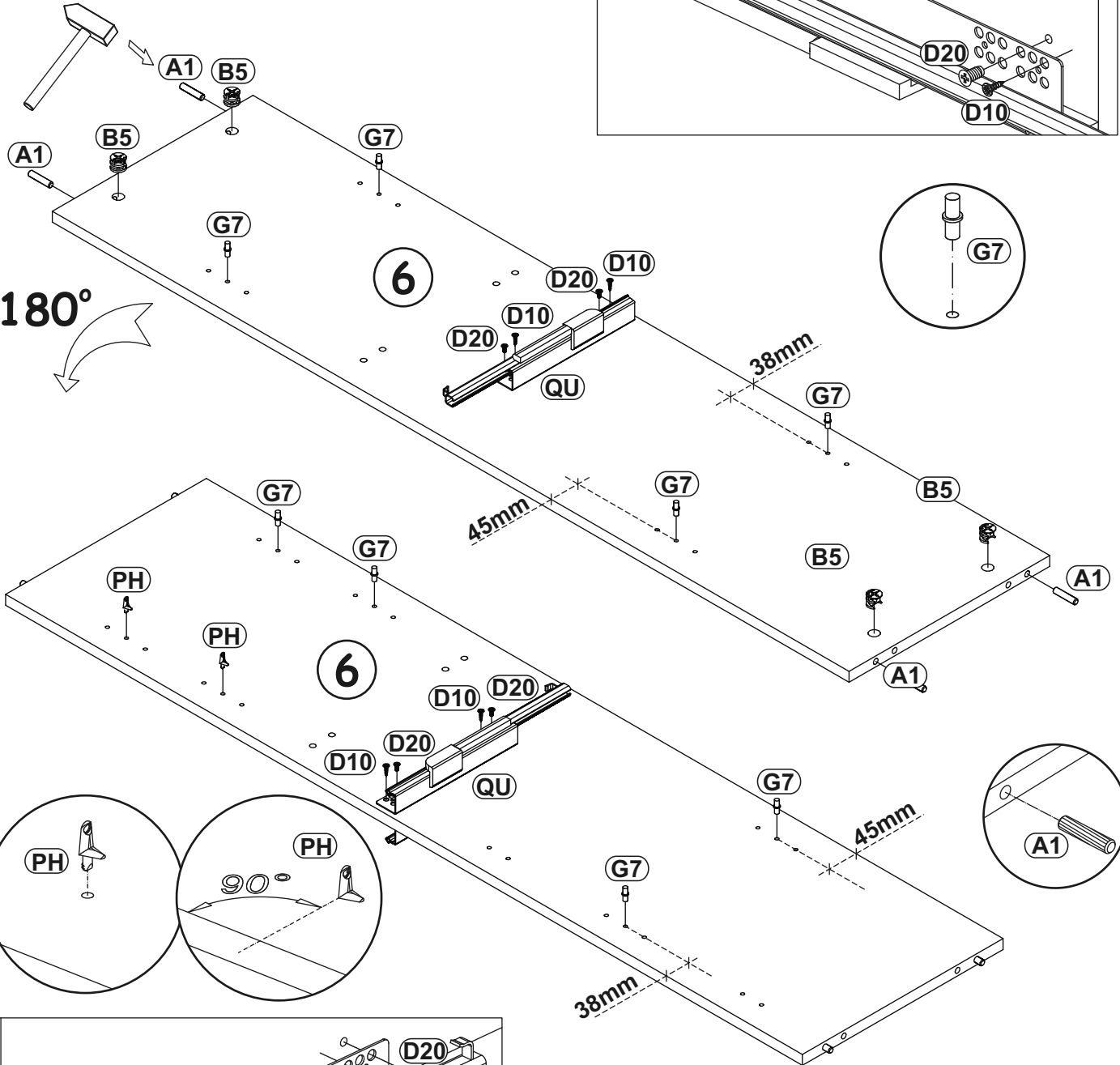
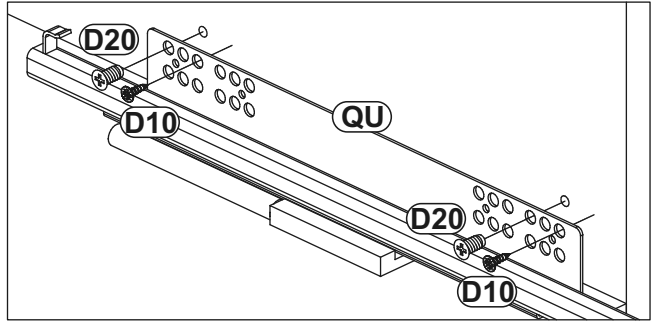
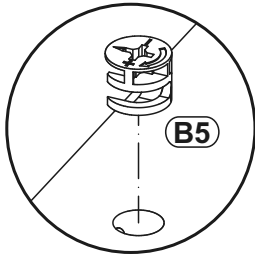
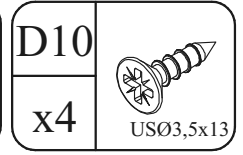
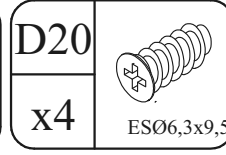
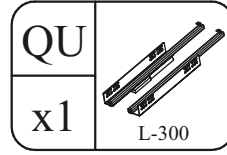
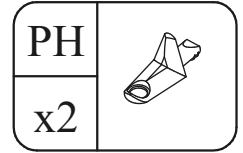
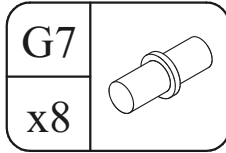
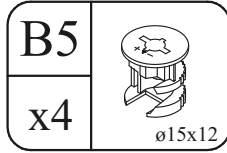
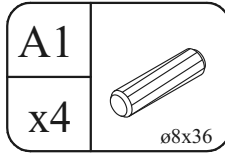
A1 x4	 ø8x36	B5 x4	 ø15x12	B4 x2		G7 x4	
H1 x2		EK6 x4	 EKØ6,3x13	QU x0,5	 L-300	D20 x2	 ESØ6,3x9,5
E13 x4		E0 x4	 H=11	EK8 x8	 EKØ6,3x24		



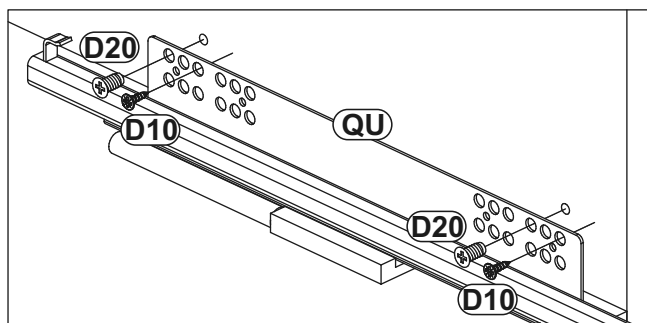
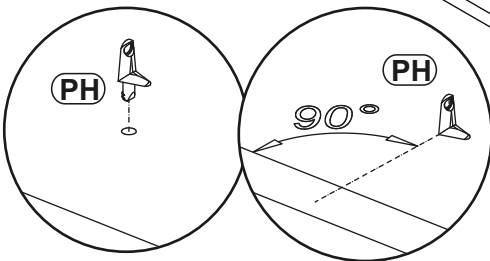
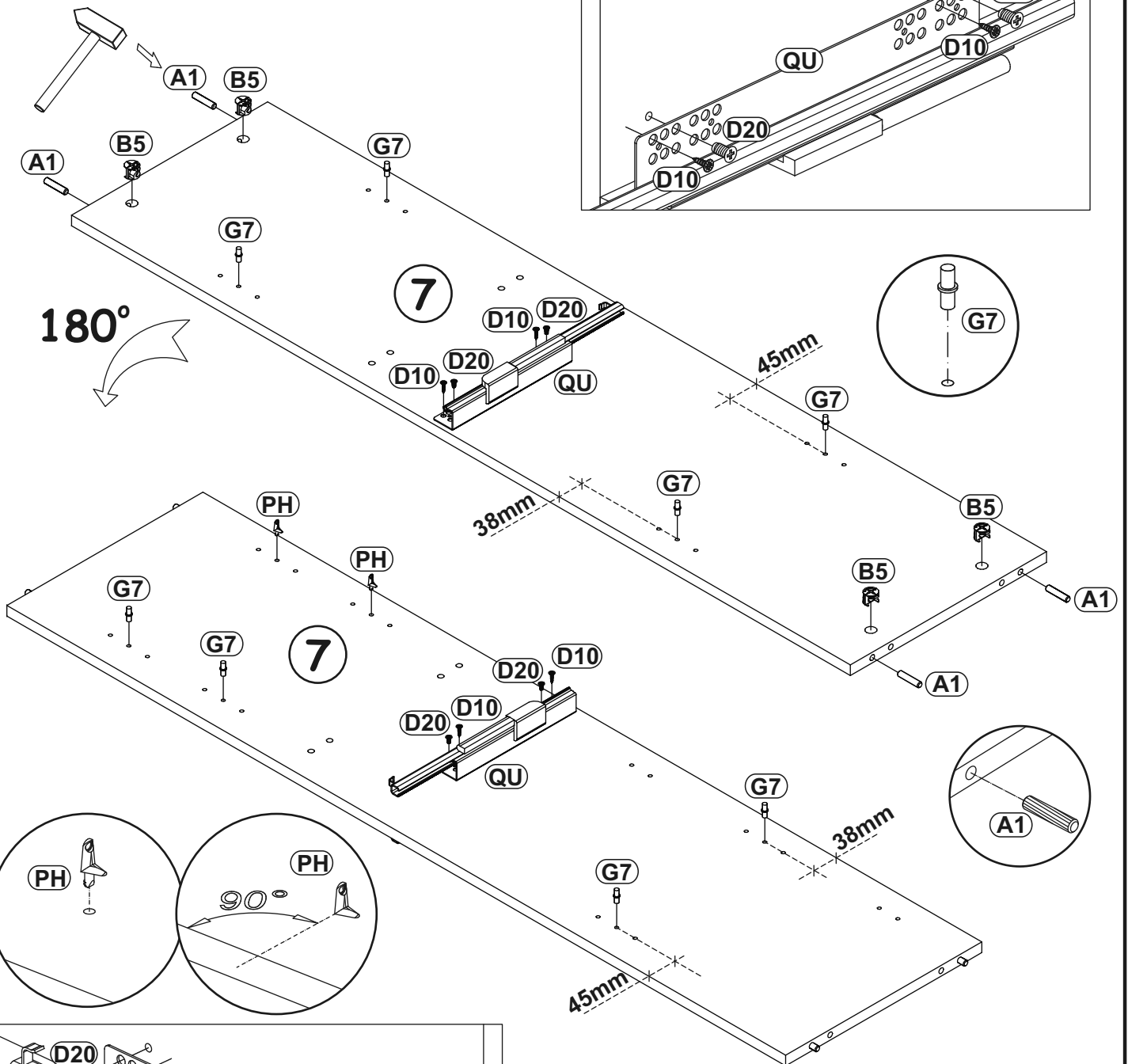
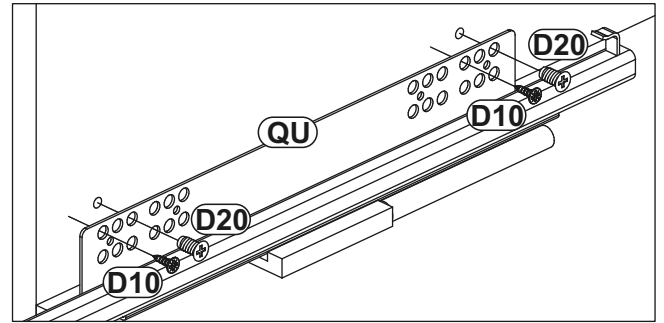
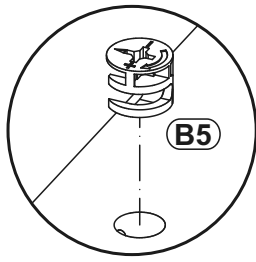
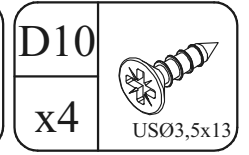
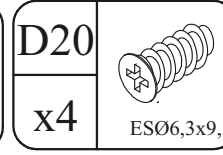
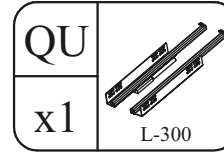
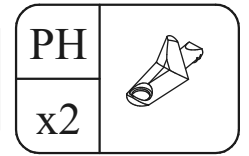
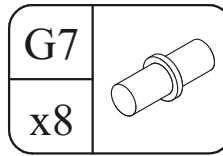
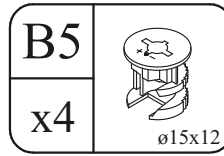
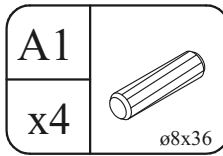
2



3

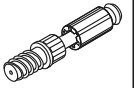


4

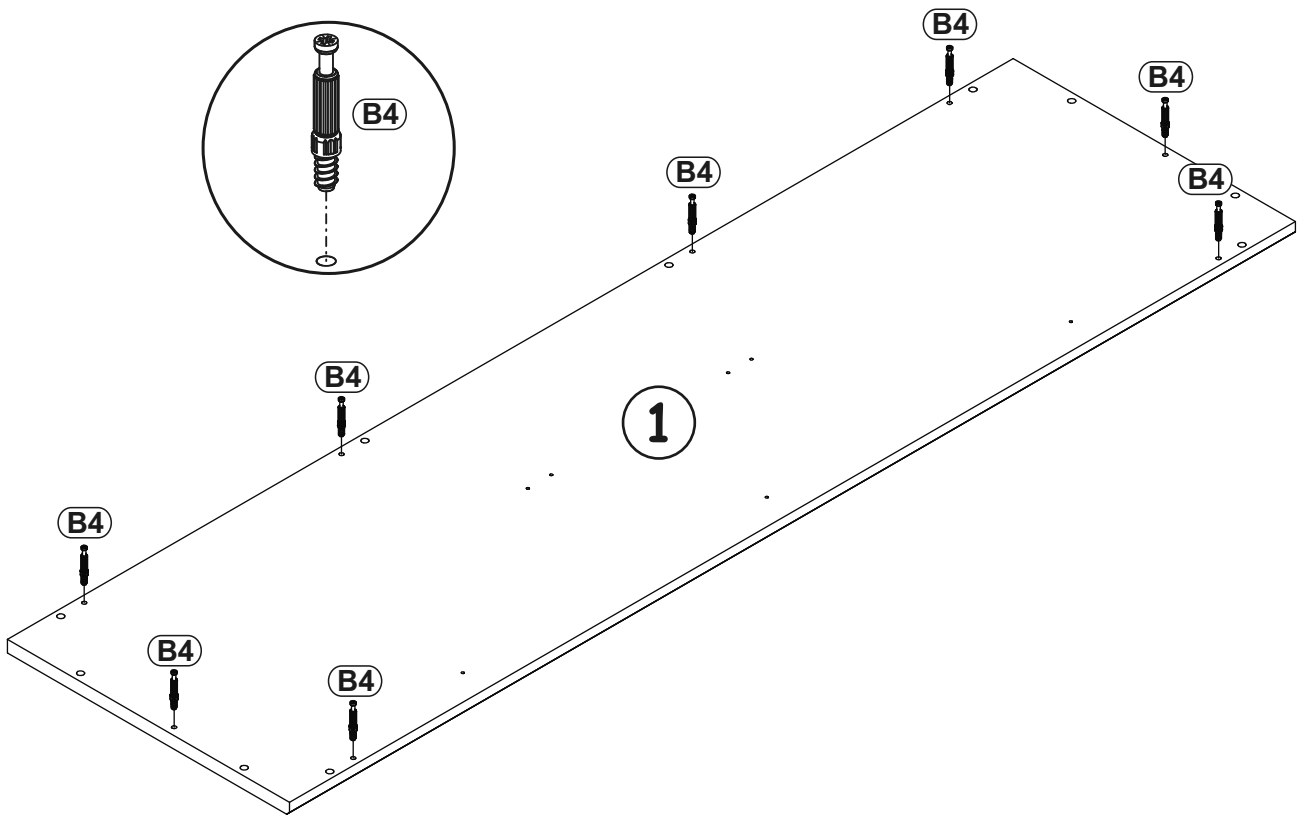


B4

x8



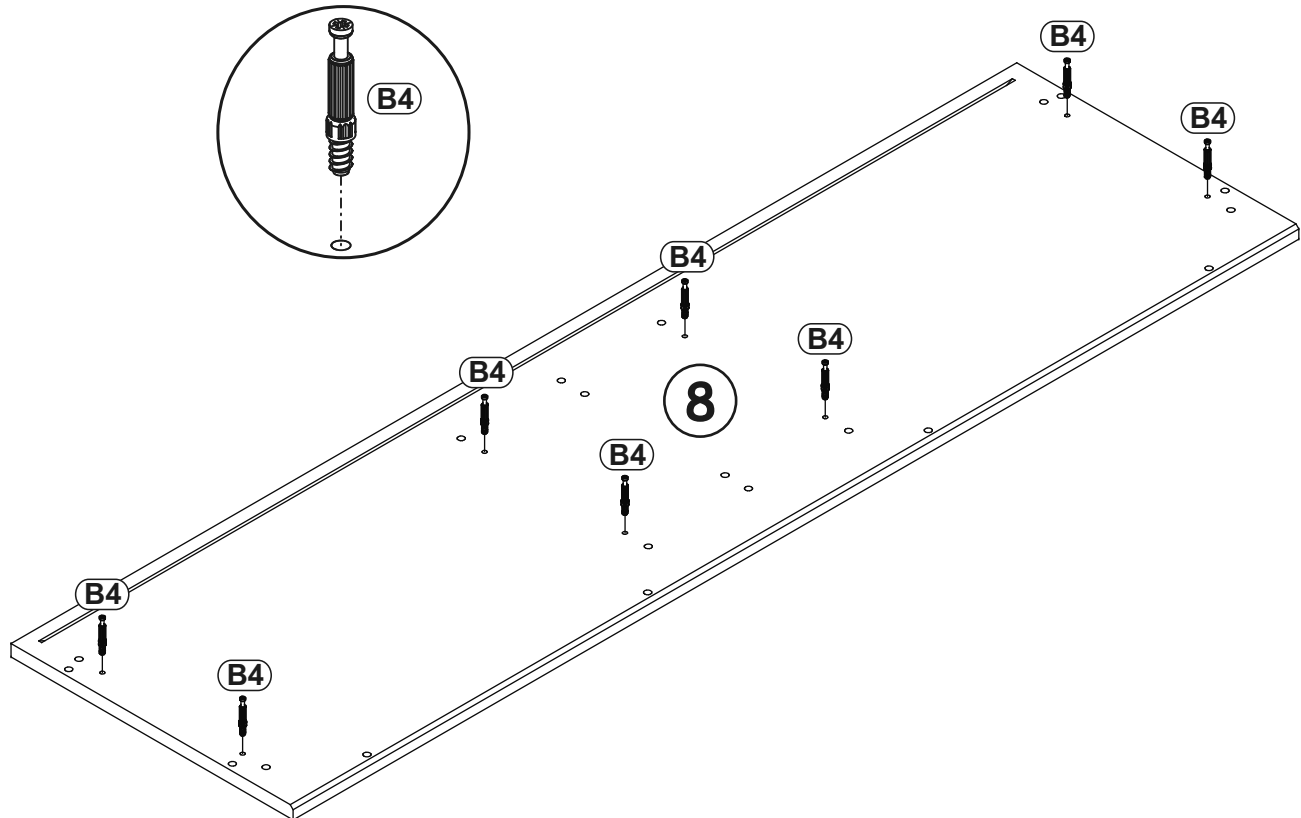
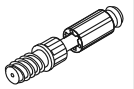
5



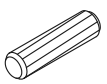
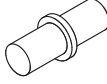

6

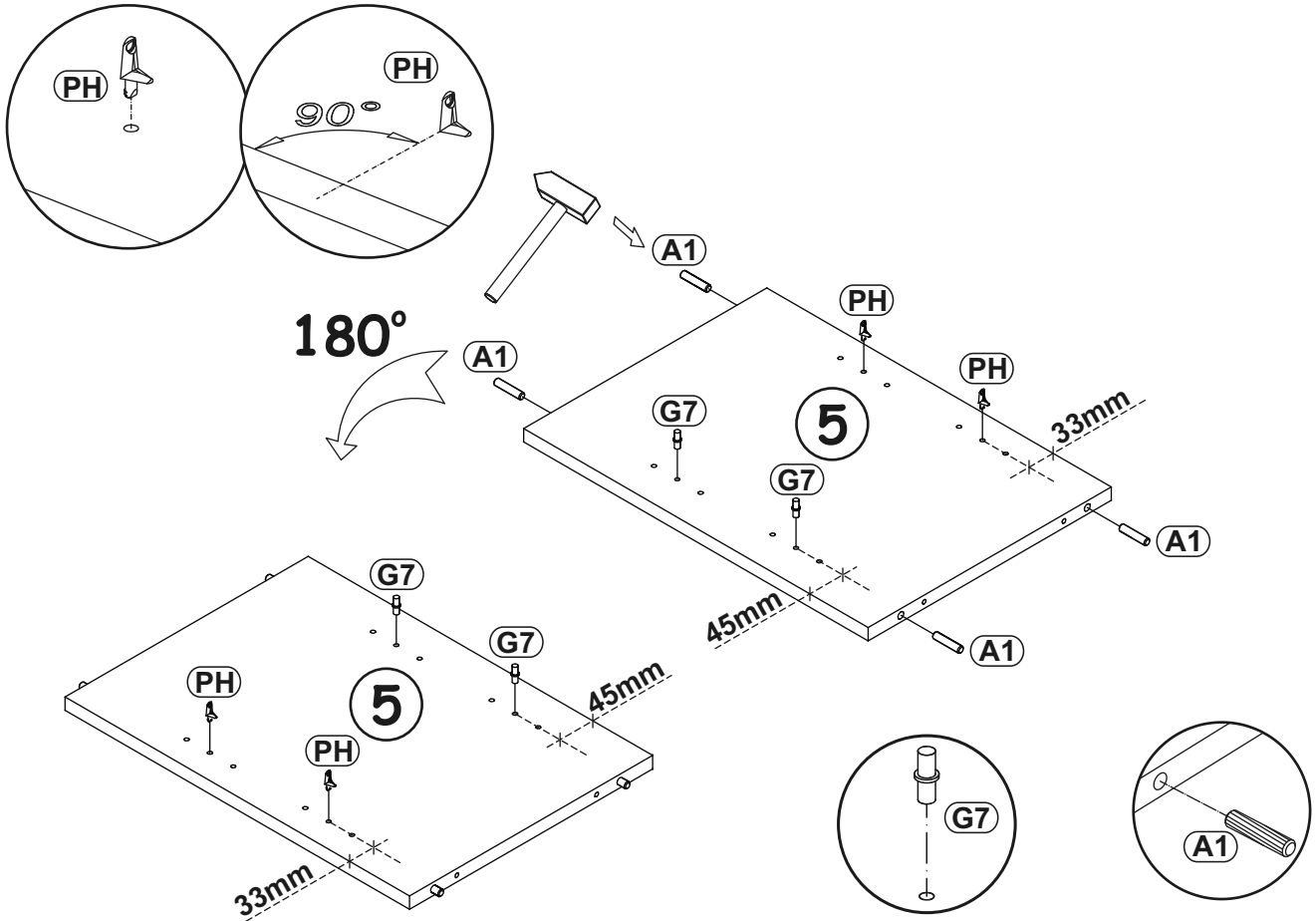
B4

x8

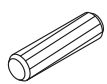
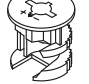


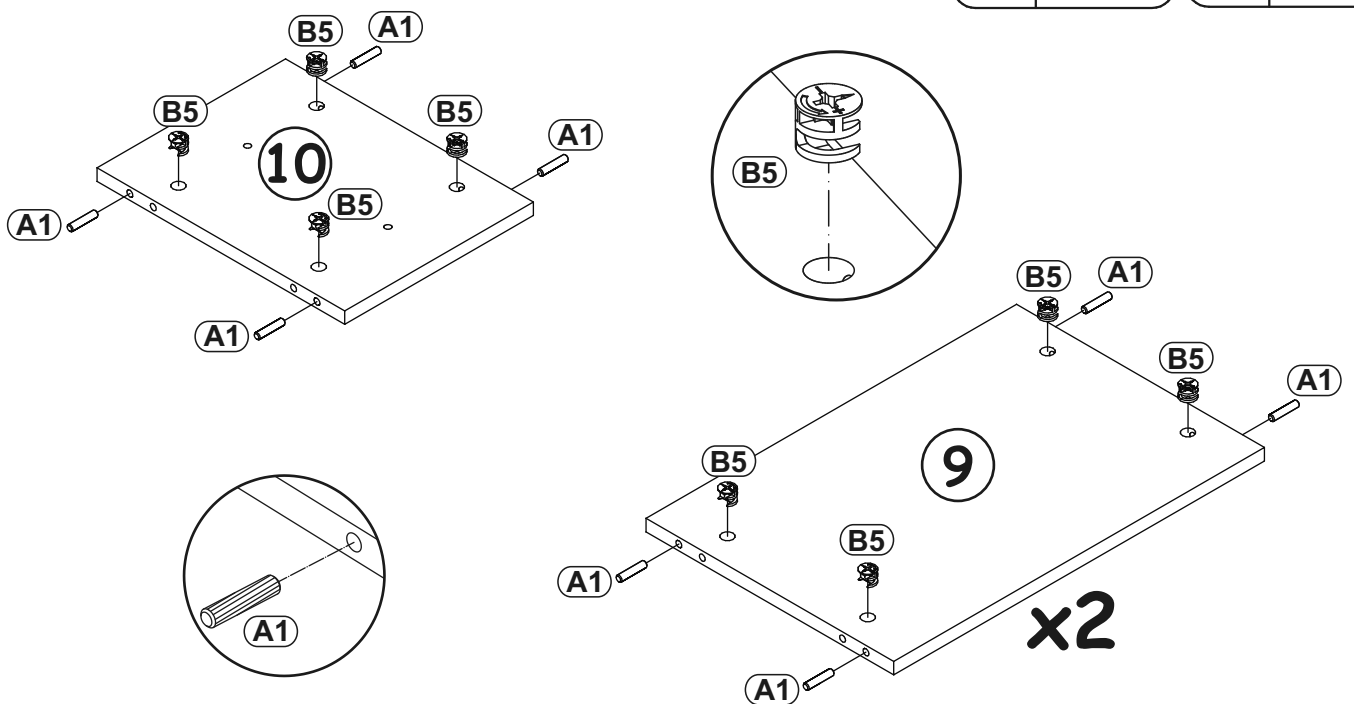
7

A1		G7		PH	
x4	ø8x36	x4		x4	



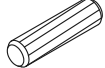
8

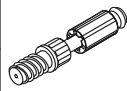
A1		B5	
x12	ø8x36	x12	ø15x12

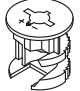


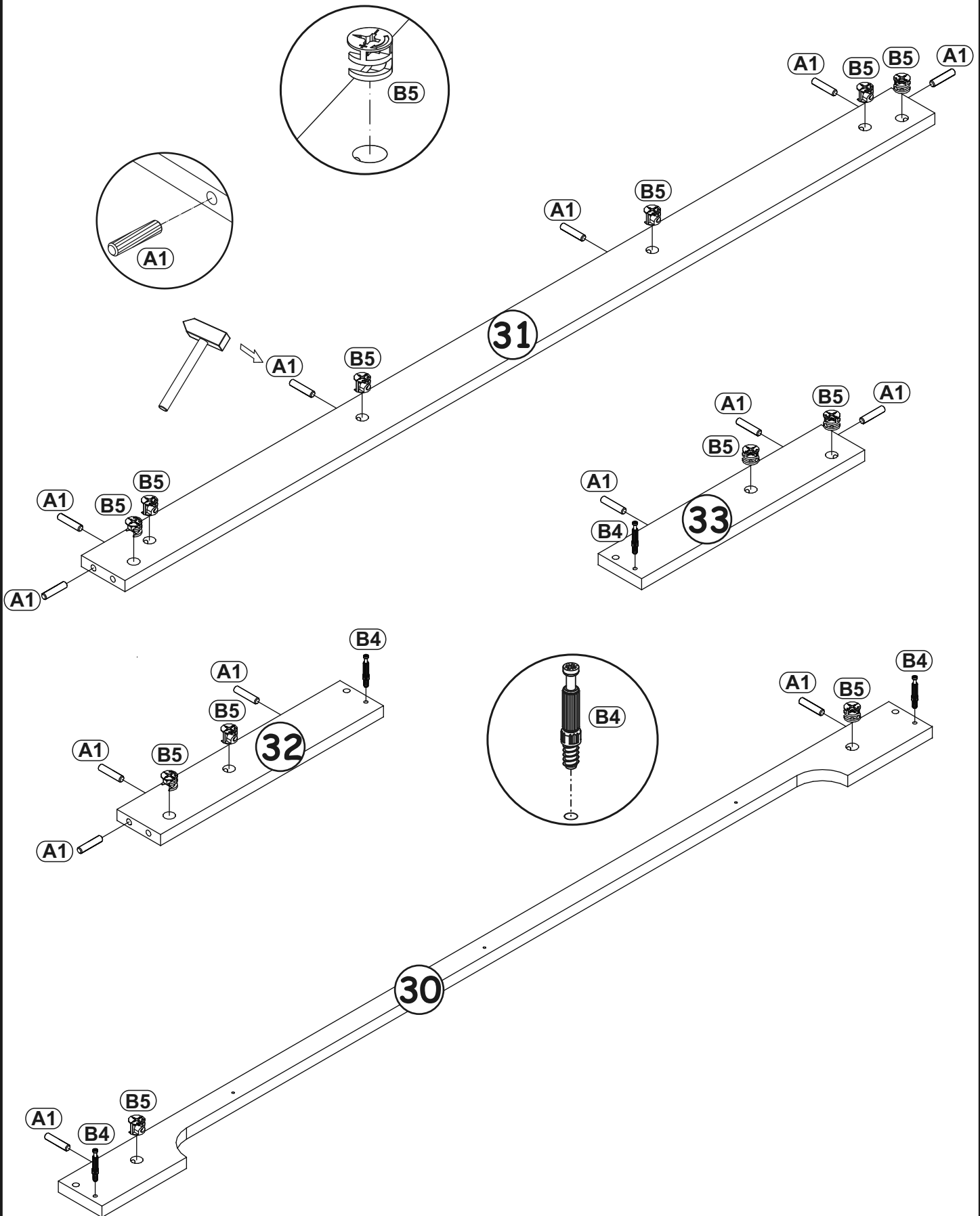


9

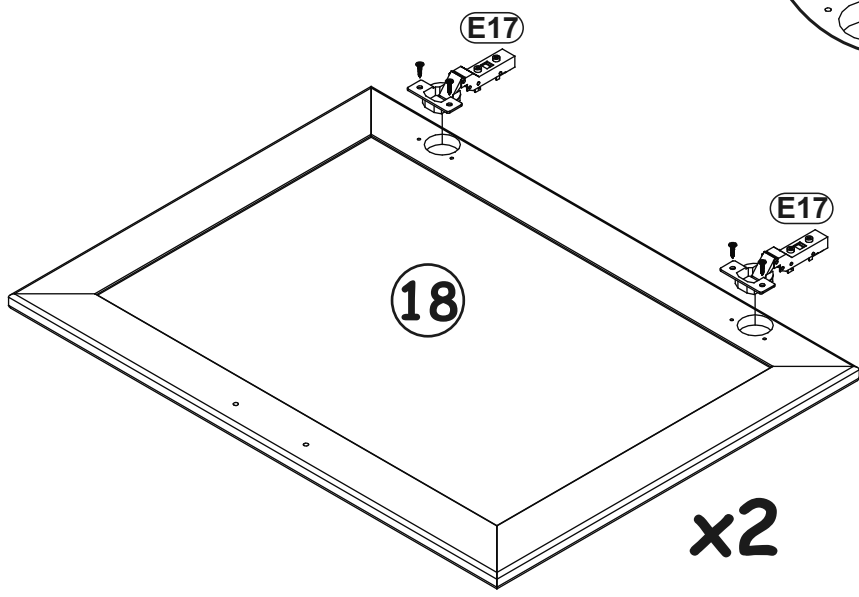
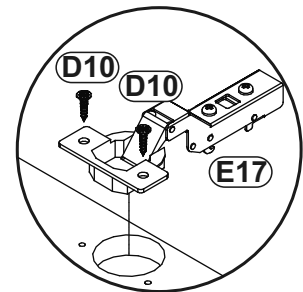
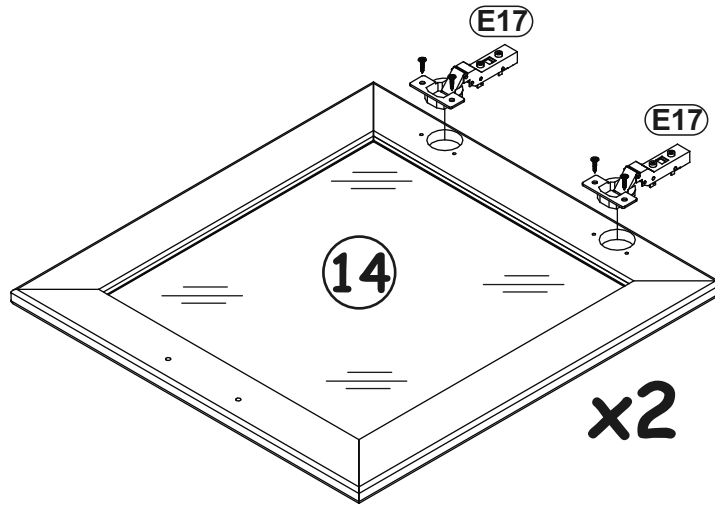
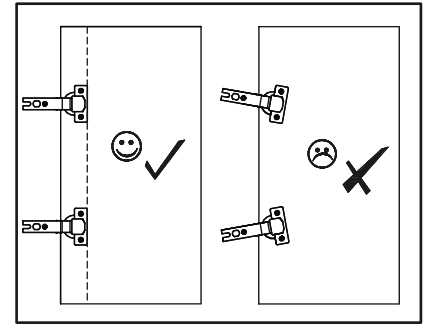
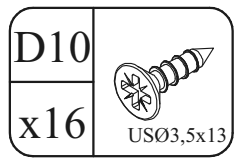
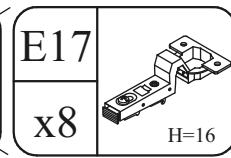
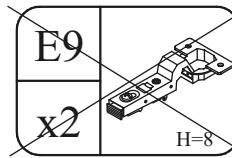
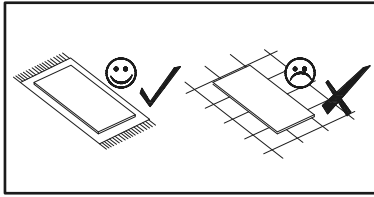
A1	
x14	ø8x36

B4	
x4	

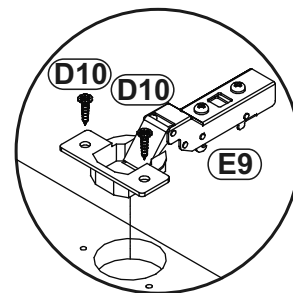
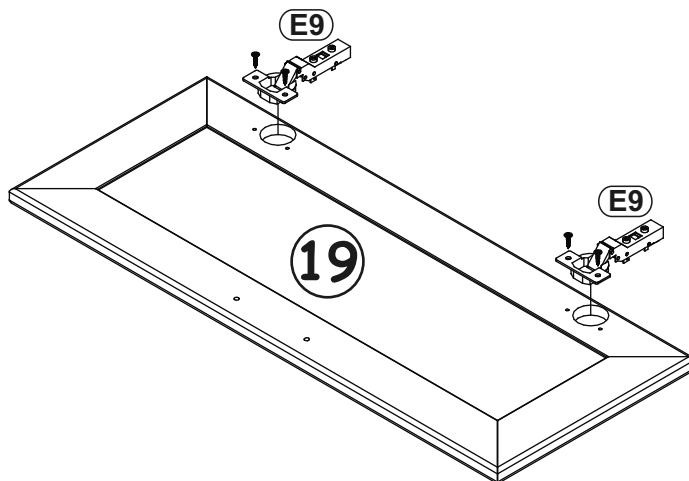
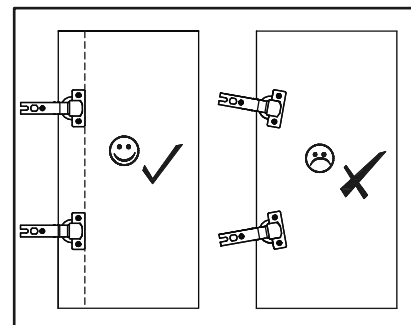
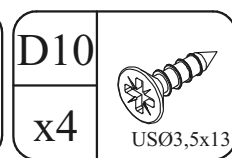
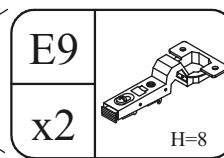
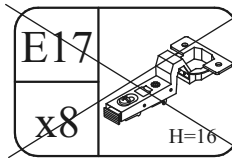
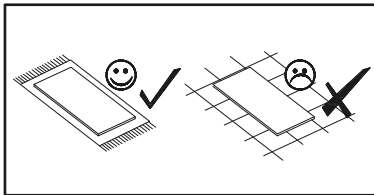
B5	
x12	ø15x12



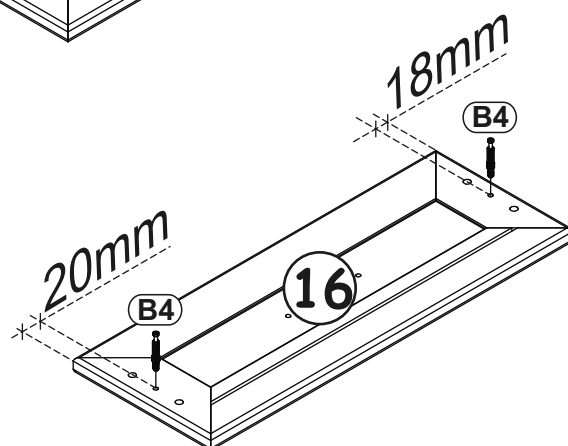
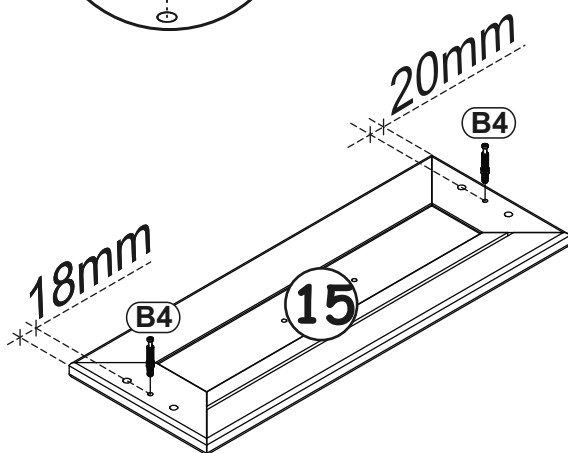
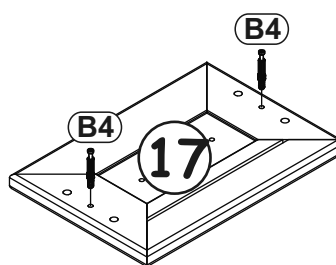
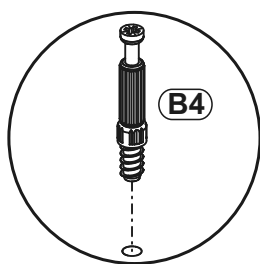
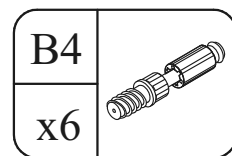
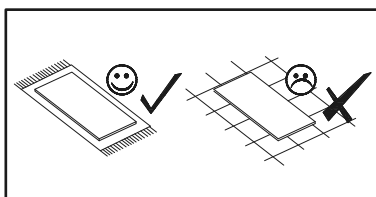
10



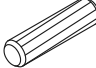
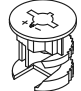
11

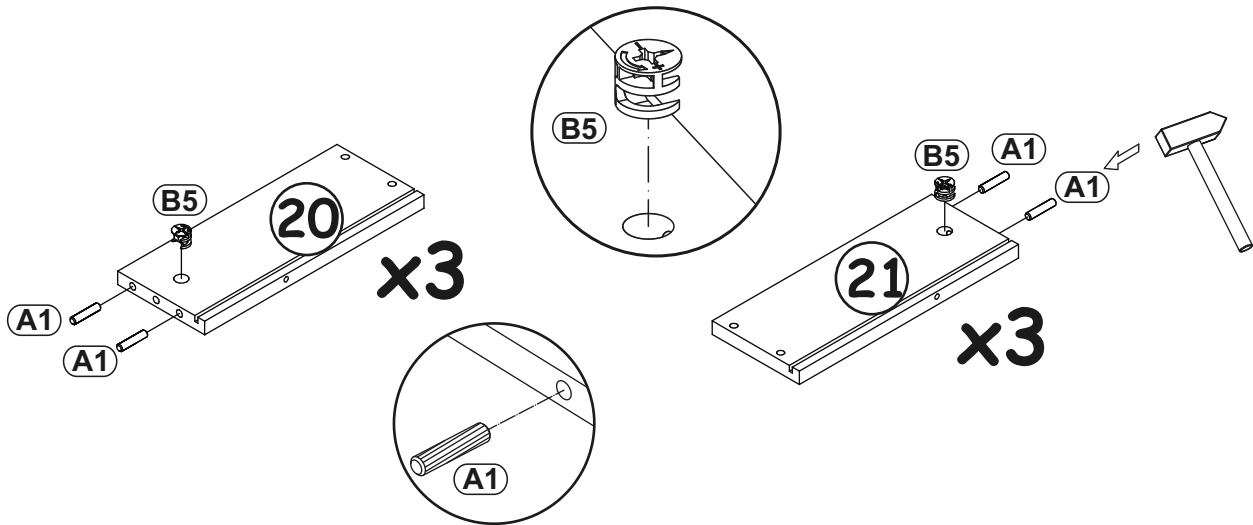


12





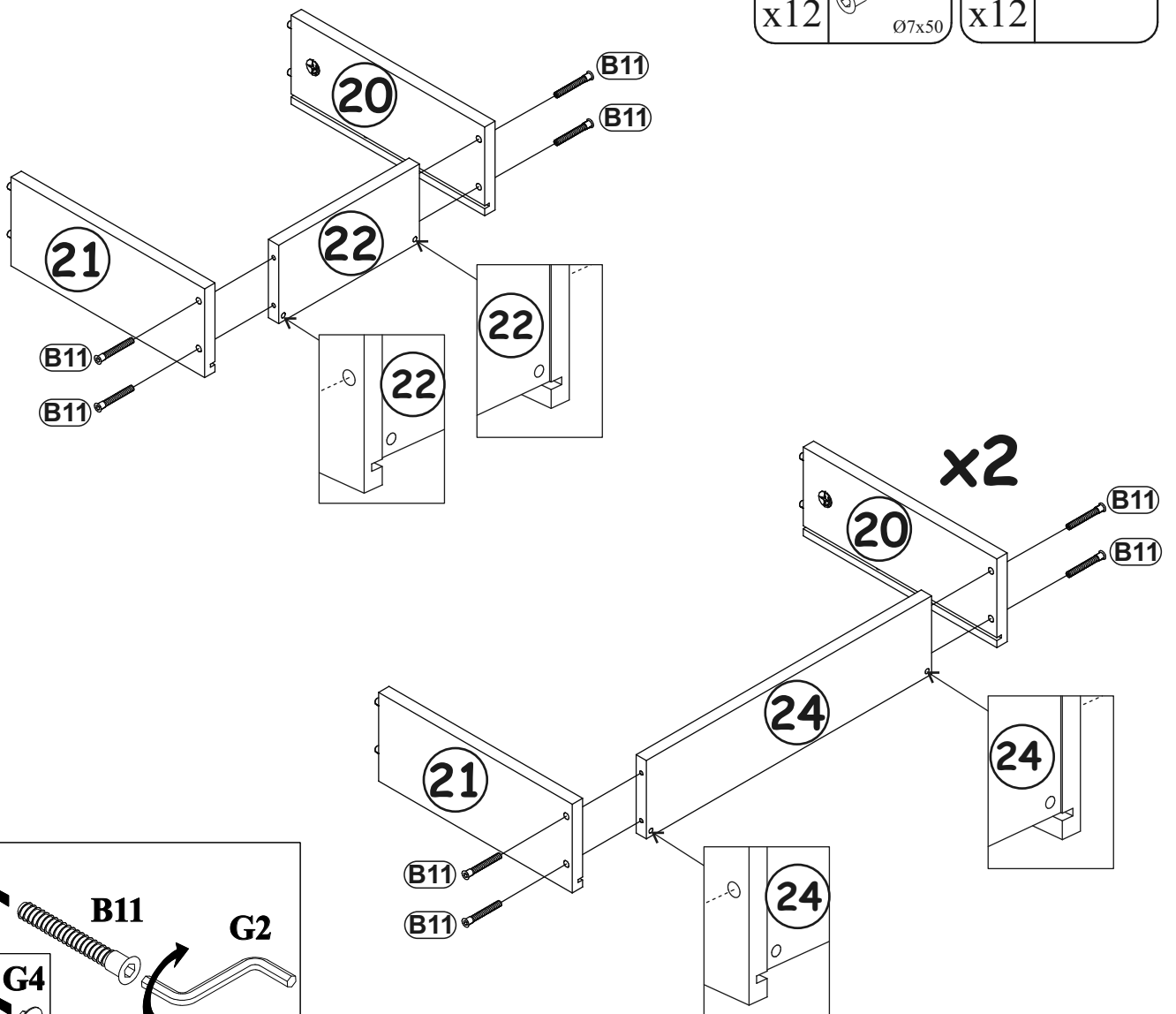
13

A1	 ø8x36	B5	 ø15x12
x12		x6	



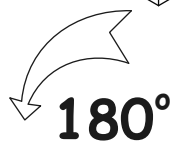
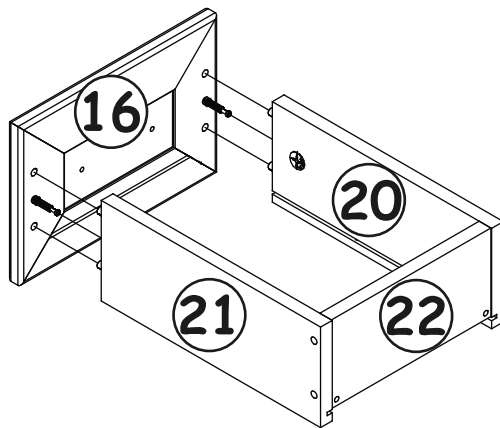
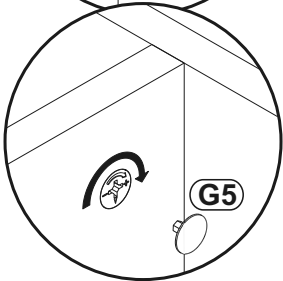
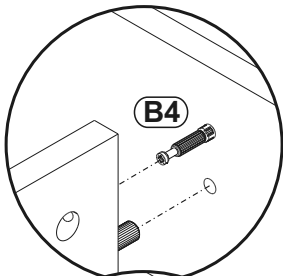
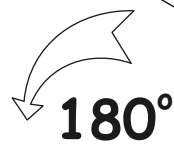
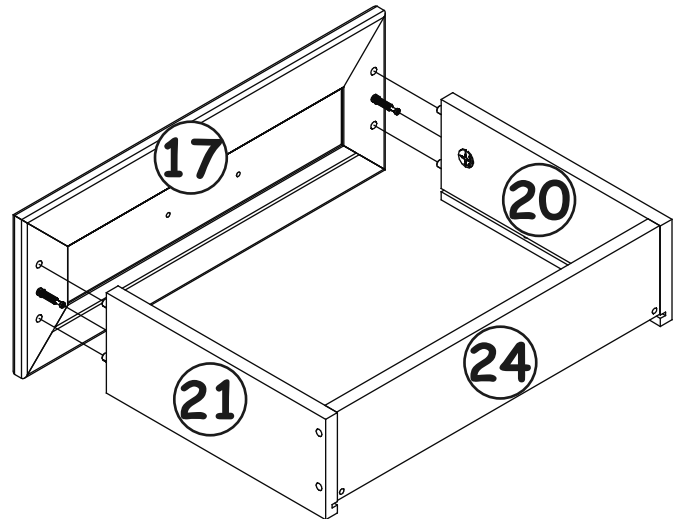
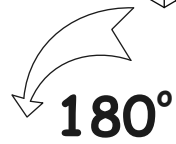
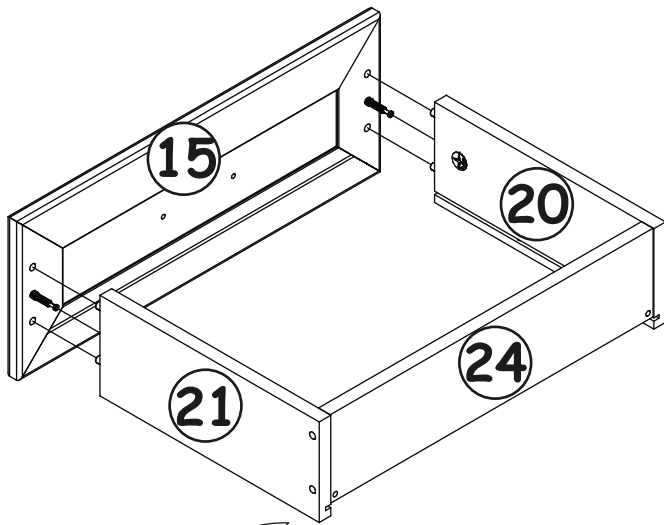
14

B11	 Ø7x50	G4	
x12		x12	

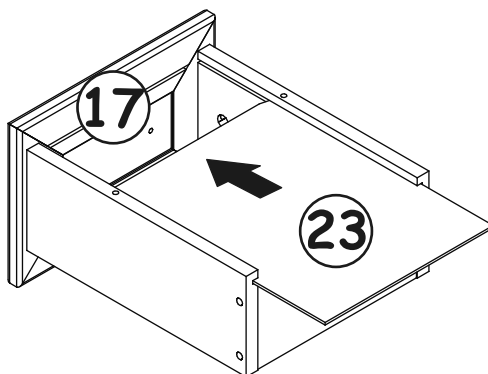
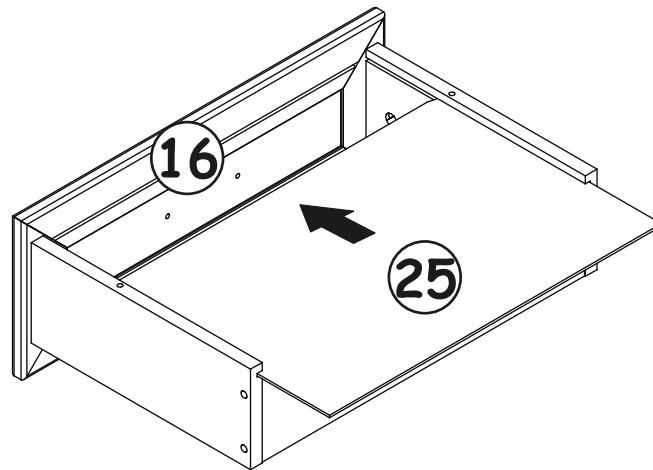
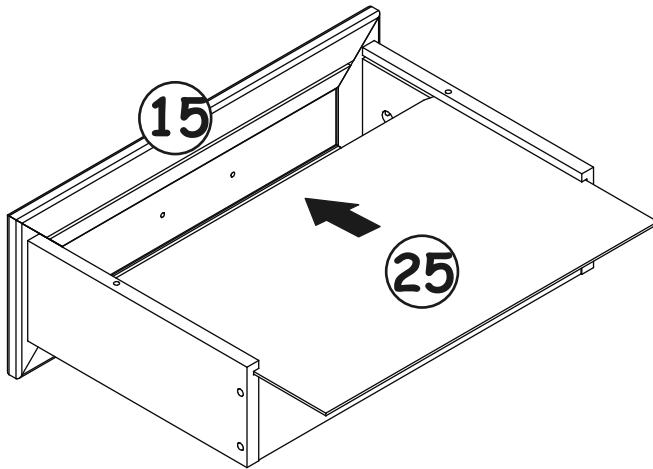




15

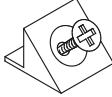



# 16

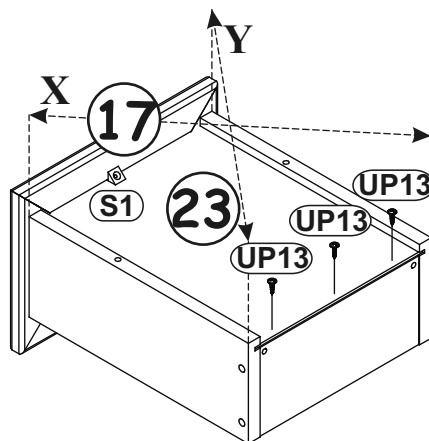
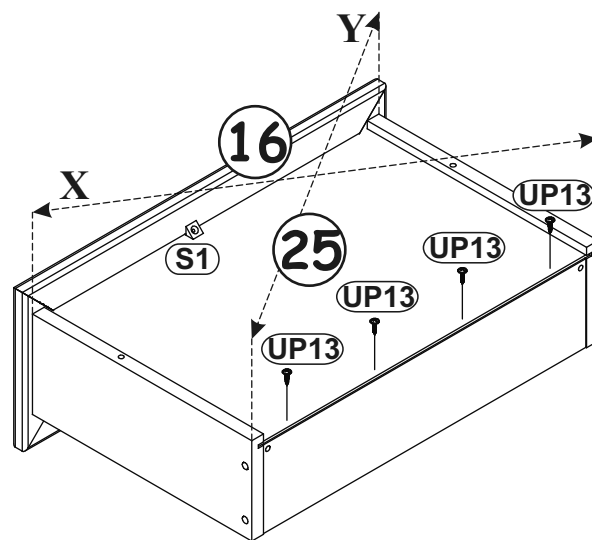
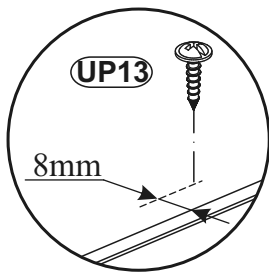
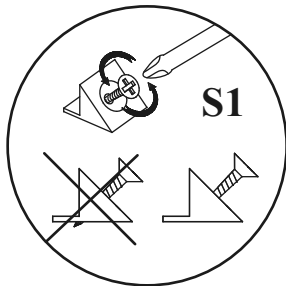
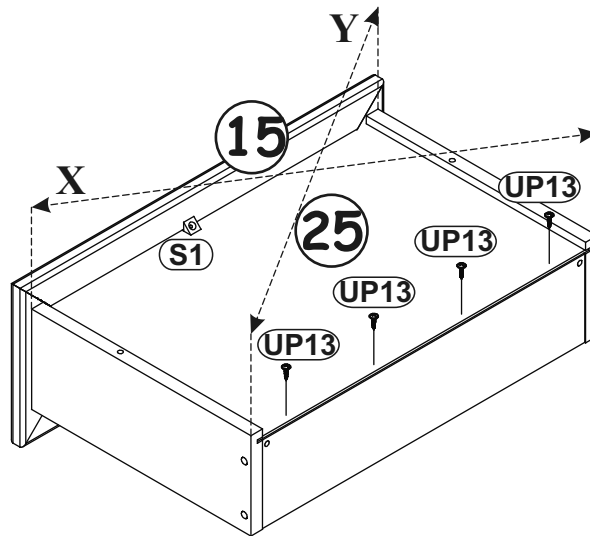


17



X=Y  $\uparrow$  90°

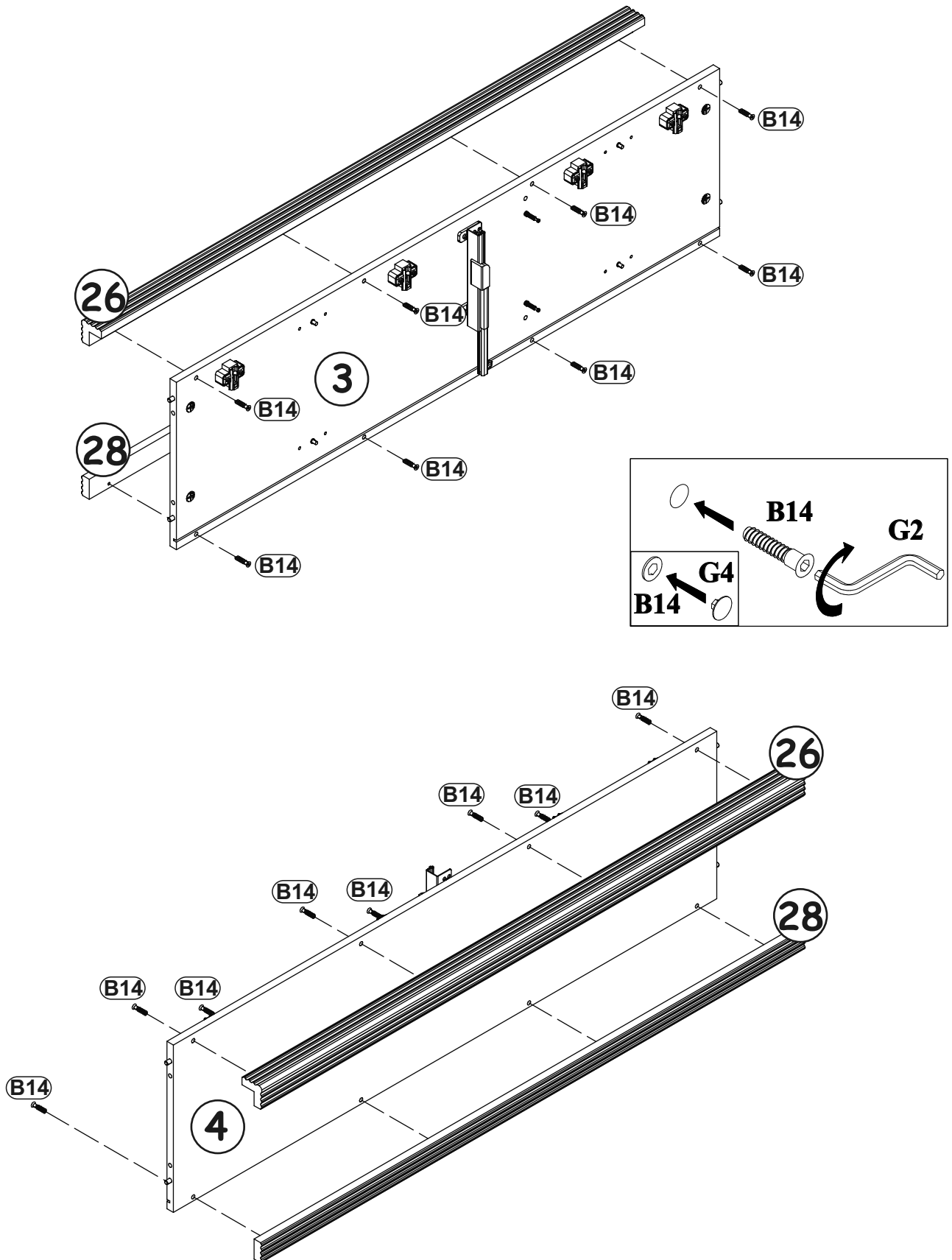
S1	
x3	

UP13	
x11	UPØ3x16




18

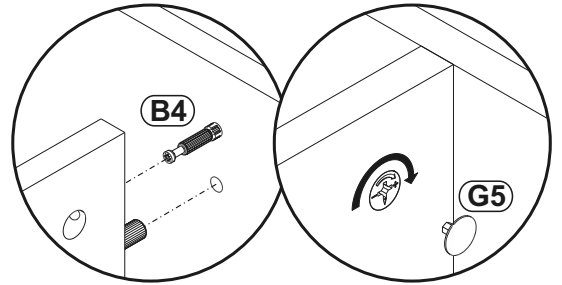
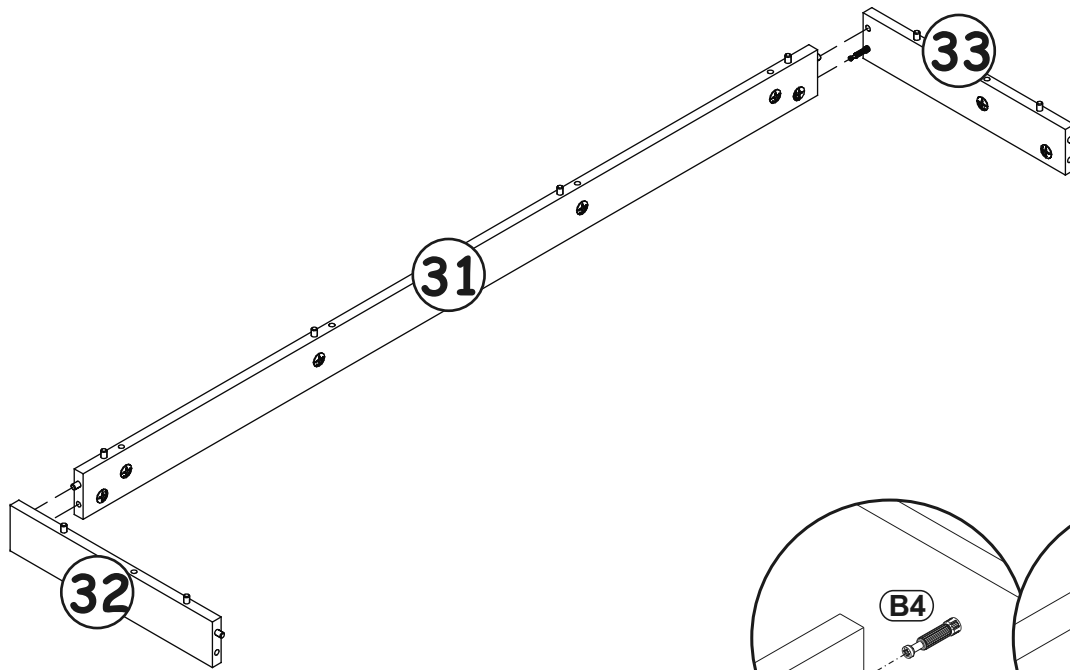
B14		G4	
x16	Ø7x30	x16	






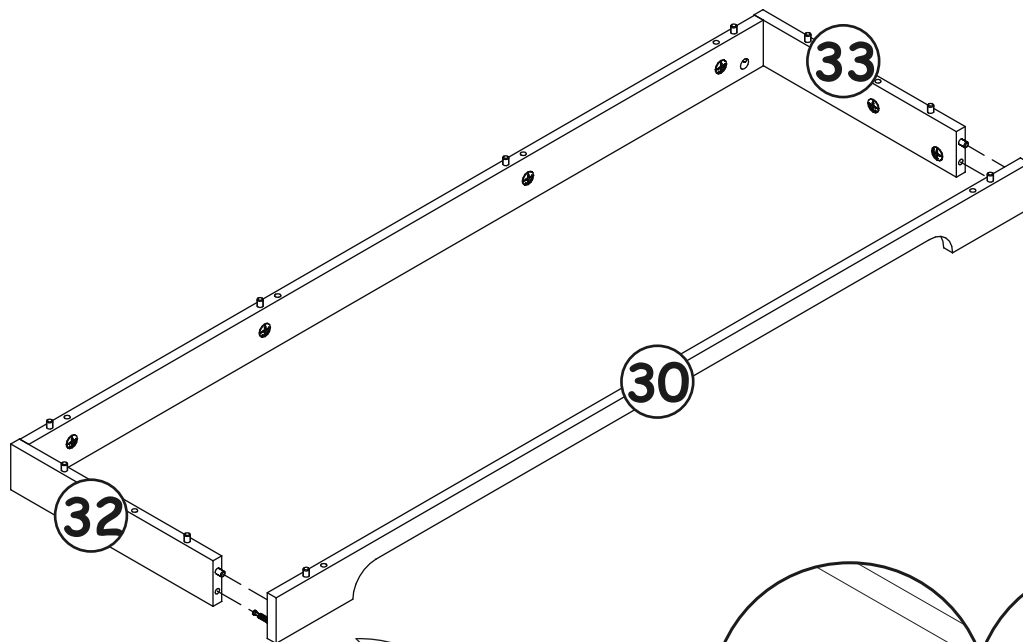
G5	
x2	

19

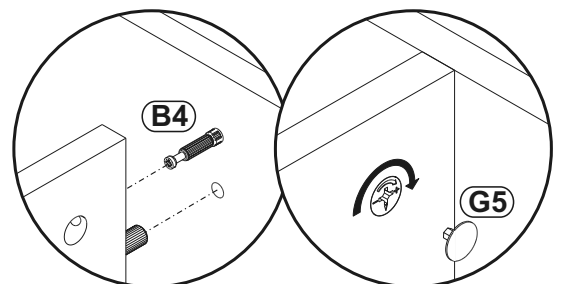


20

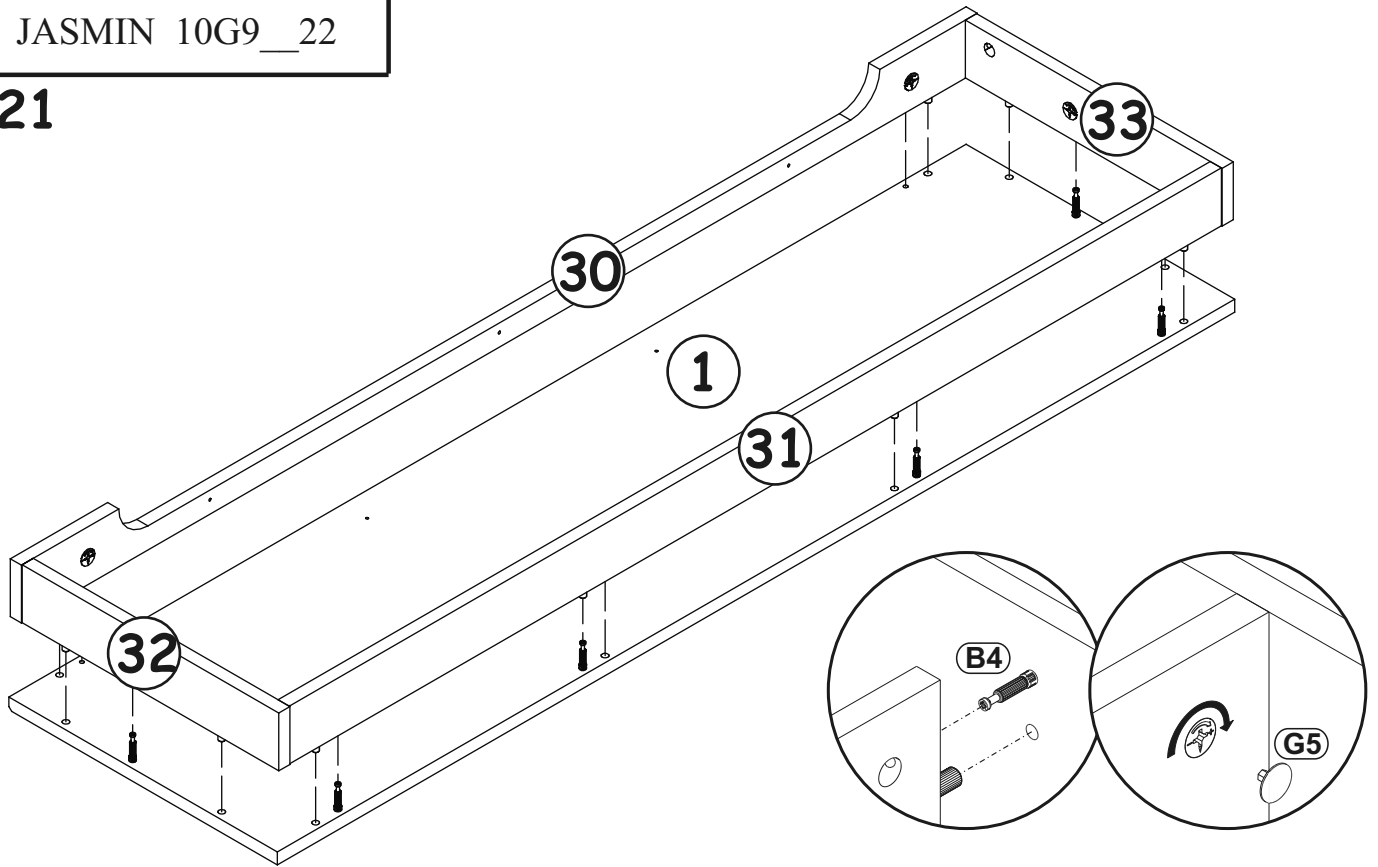
G5	
x2	



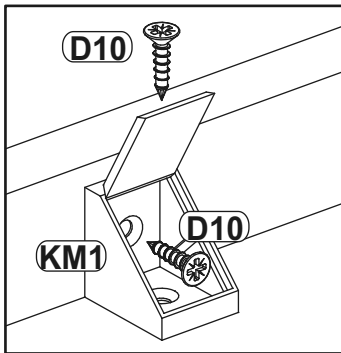
180°



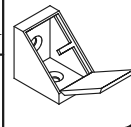
21



22



KM1  
x3



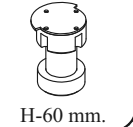
D10  
x6



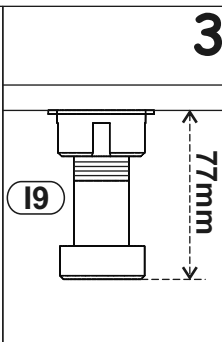
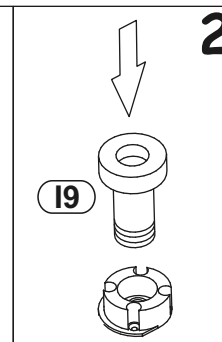
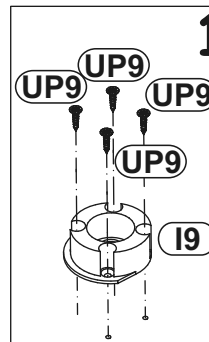
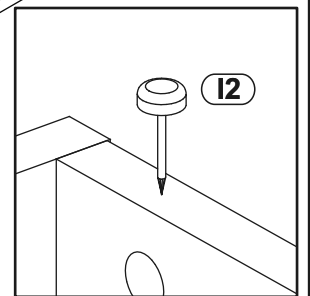
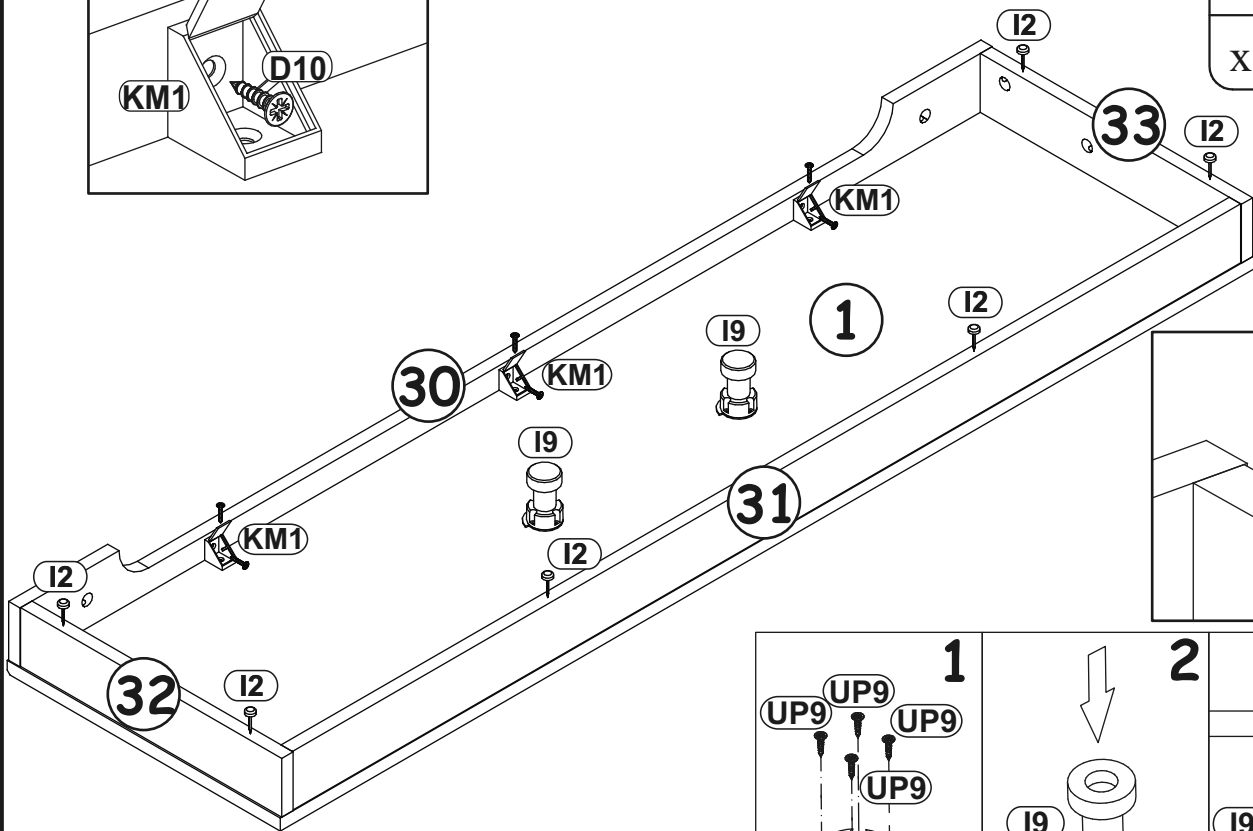
I2  
x6



I9  
x2



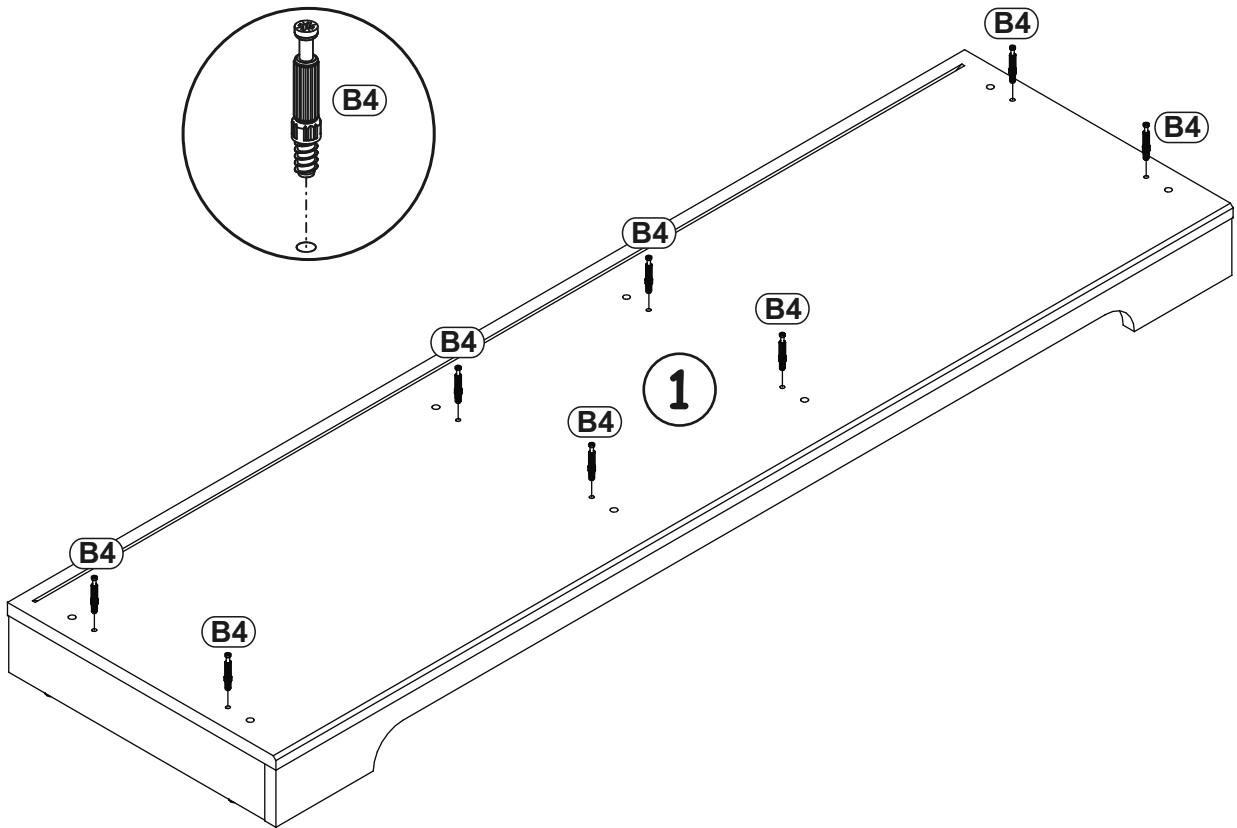
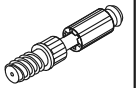
UP9  
x8



23

B4

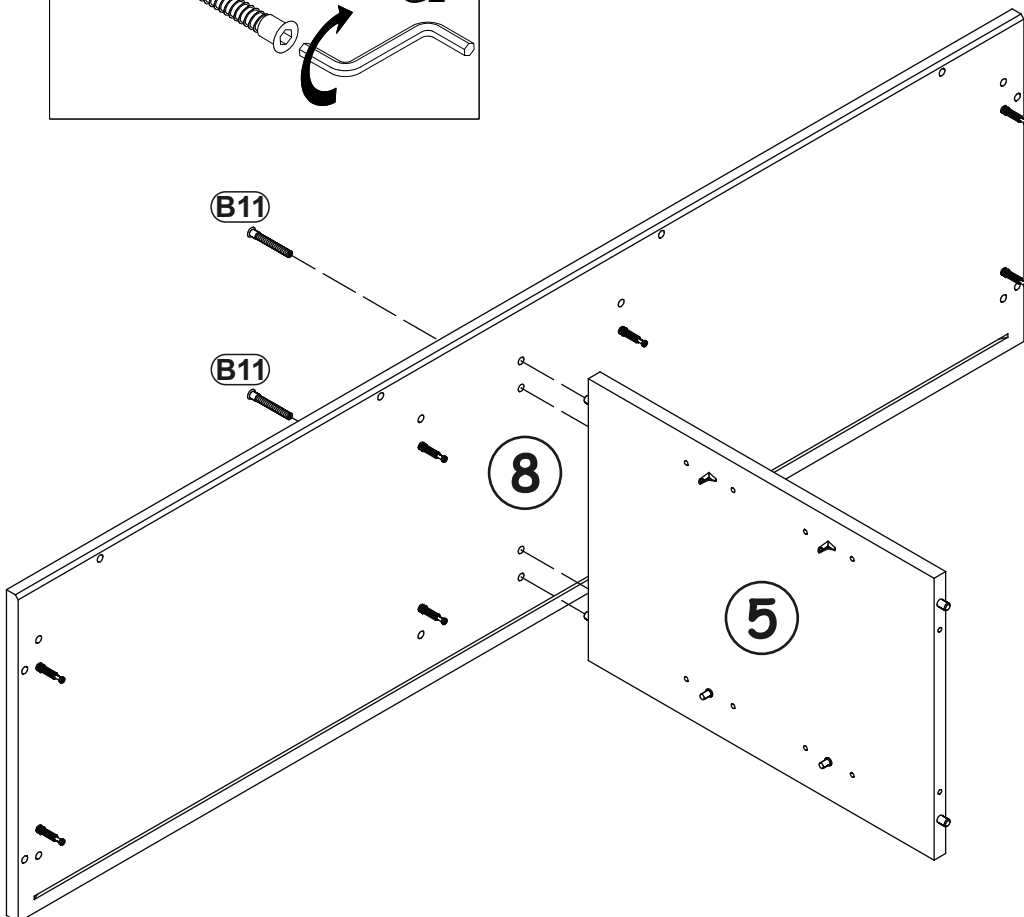
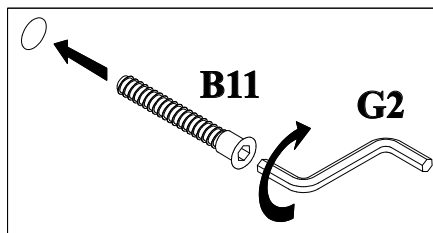
x8



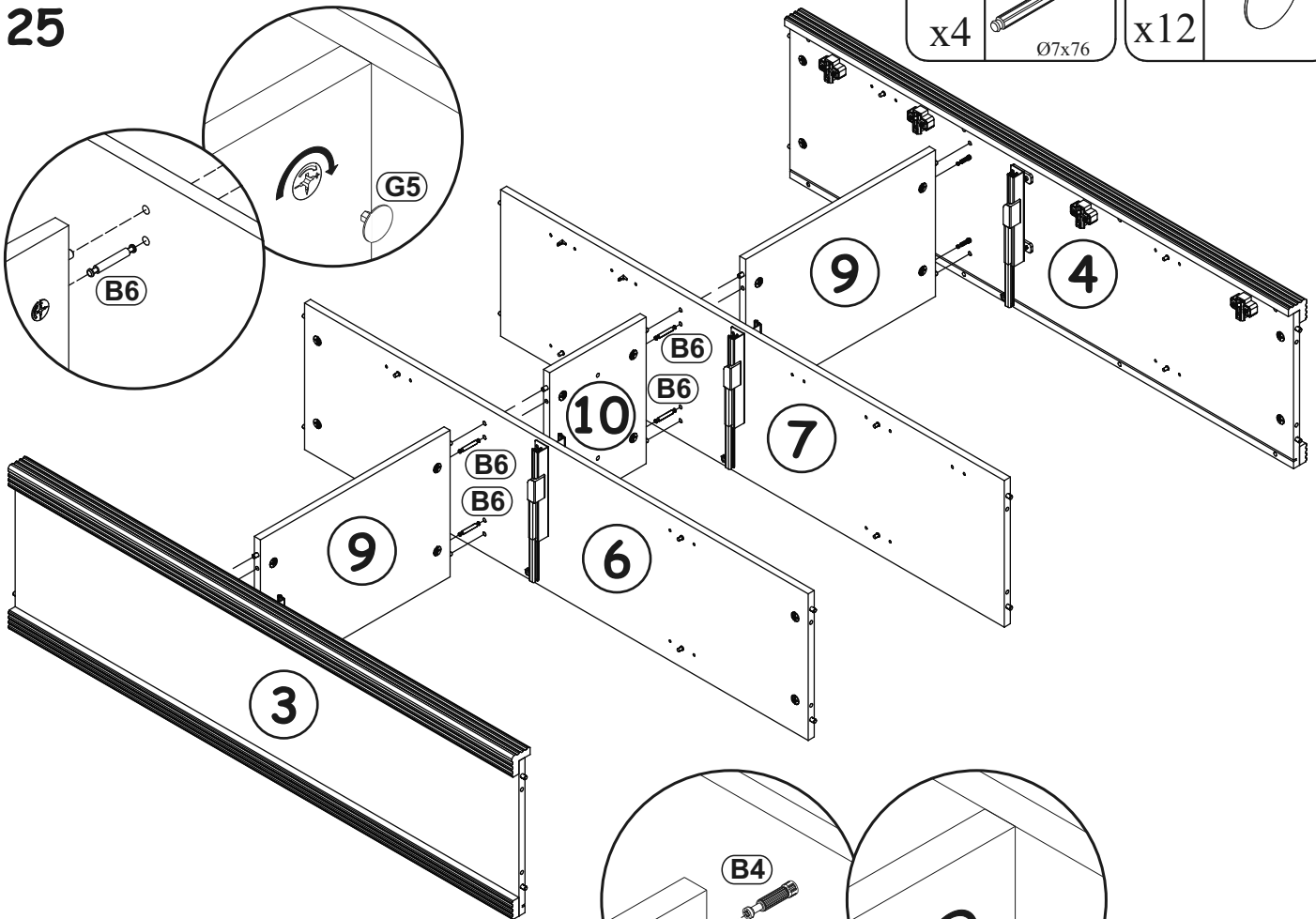
24



B11

x2

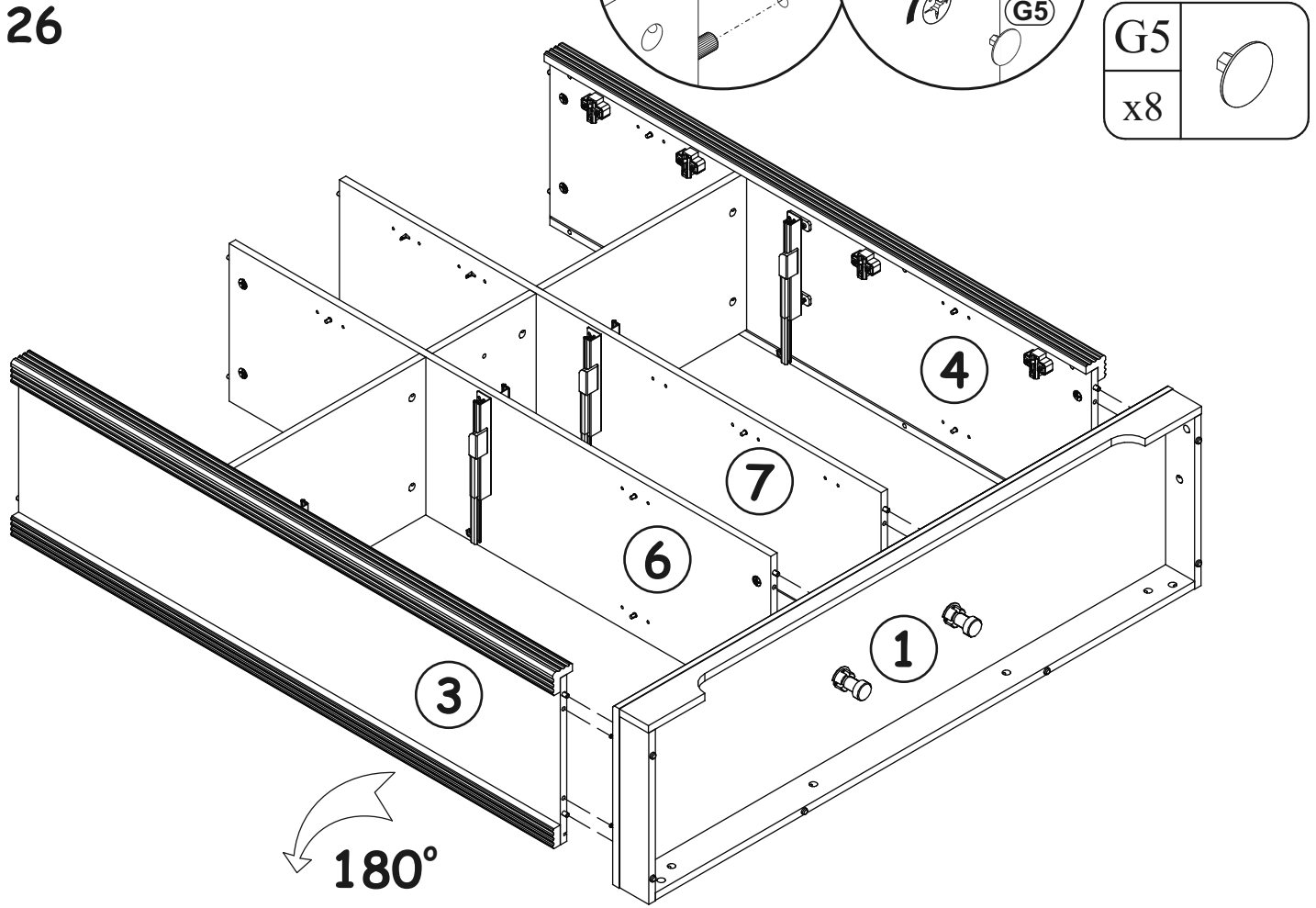



25



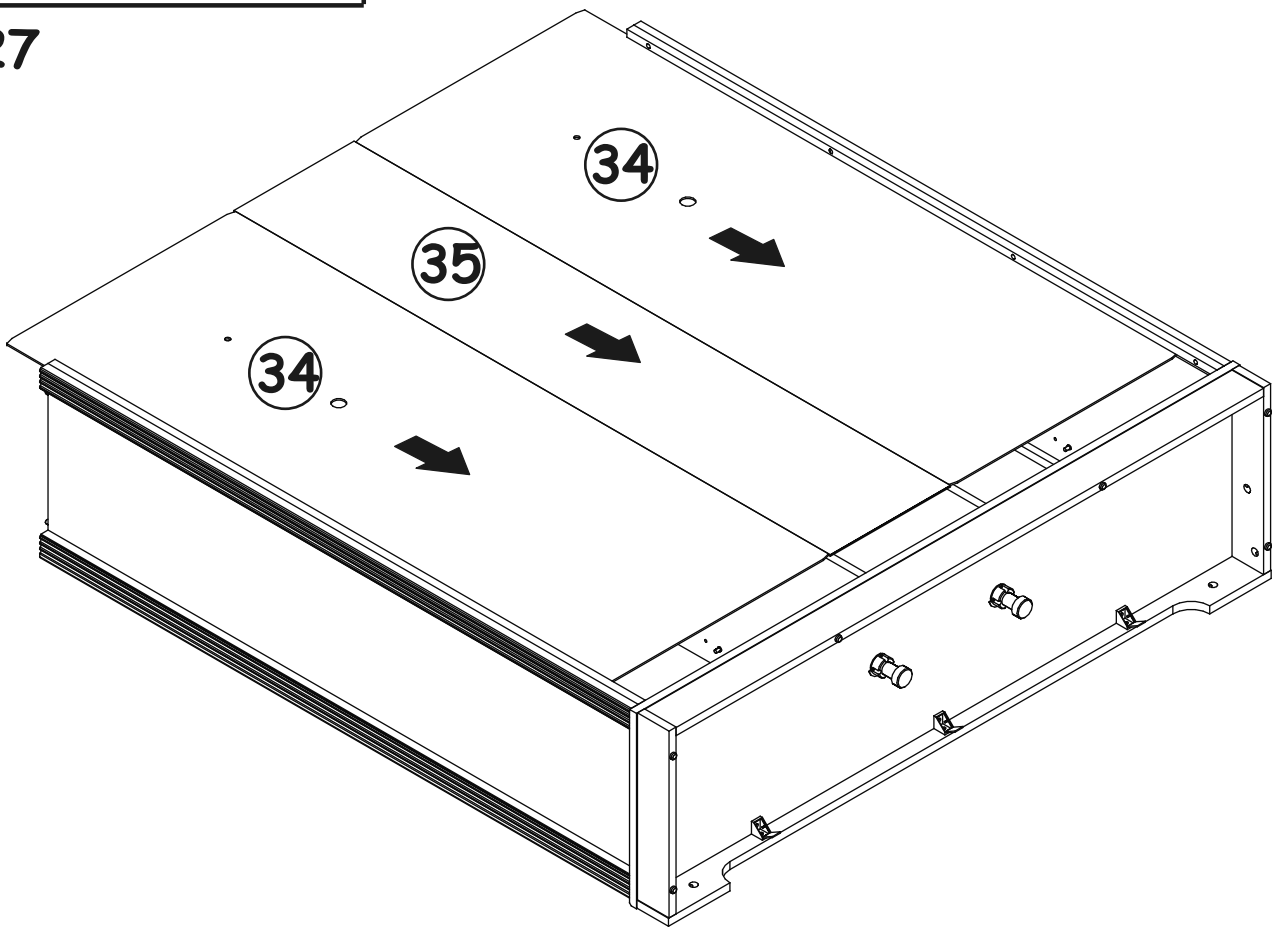
B6		G5	
x4	Ø7x76	x12	

26

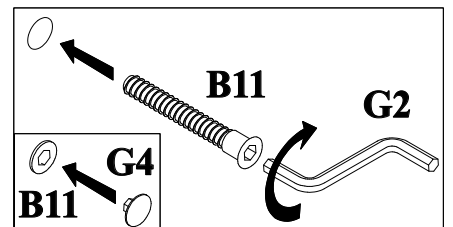
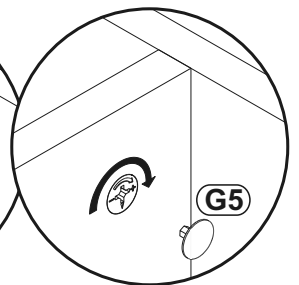
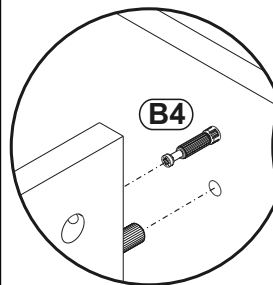
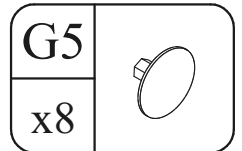
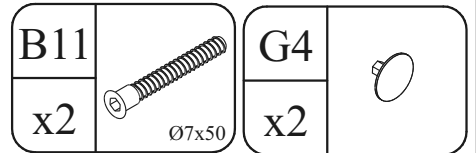
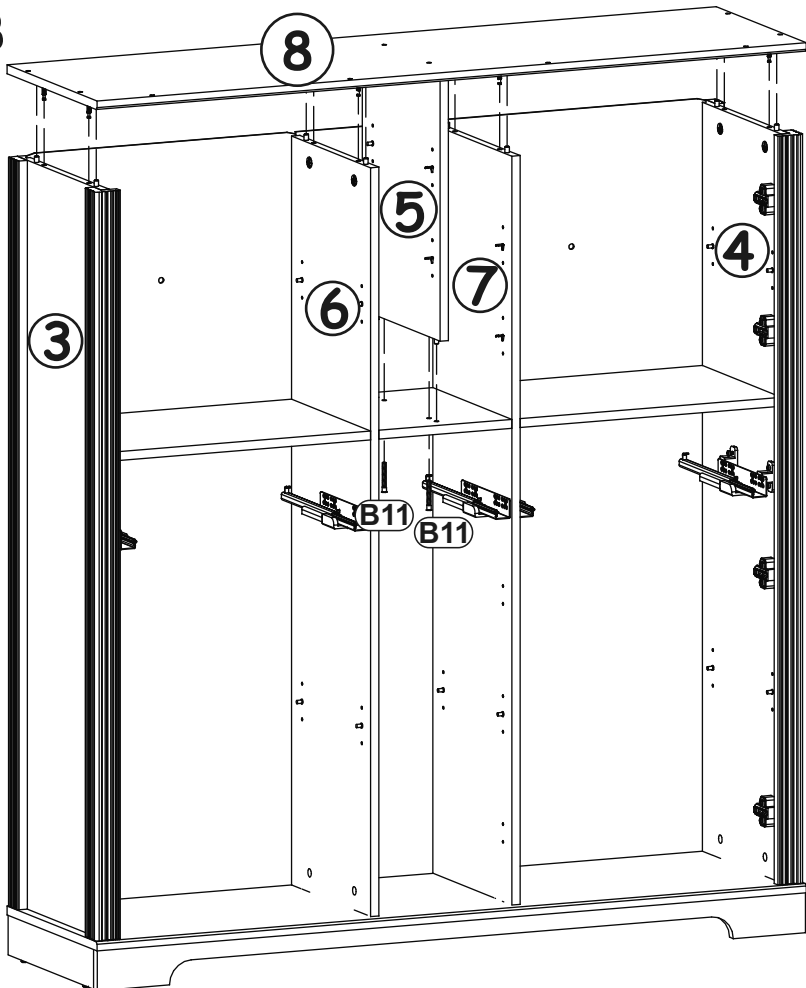


G5	
x8	

27

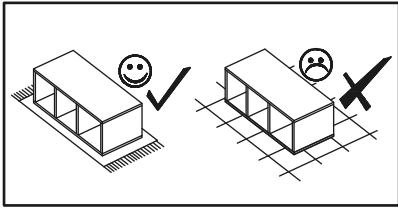


28



X=Y 90°

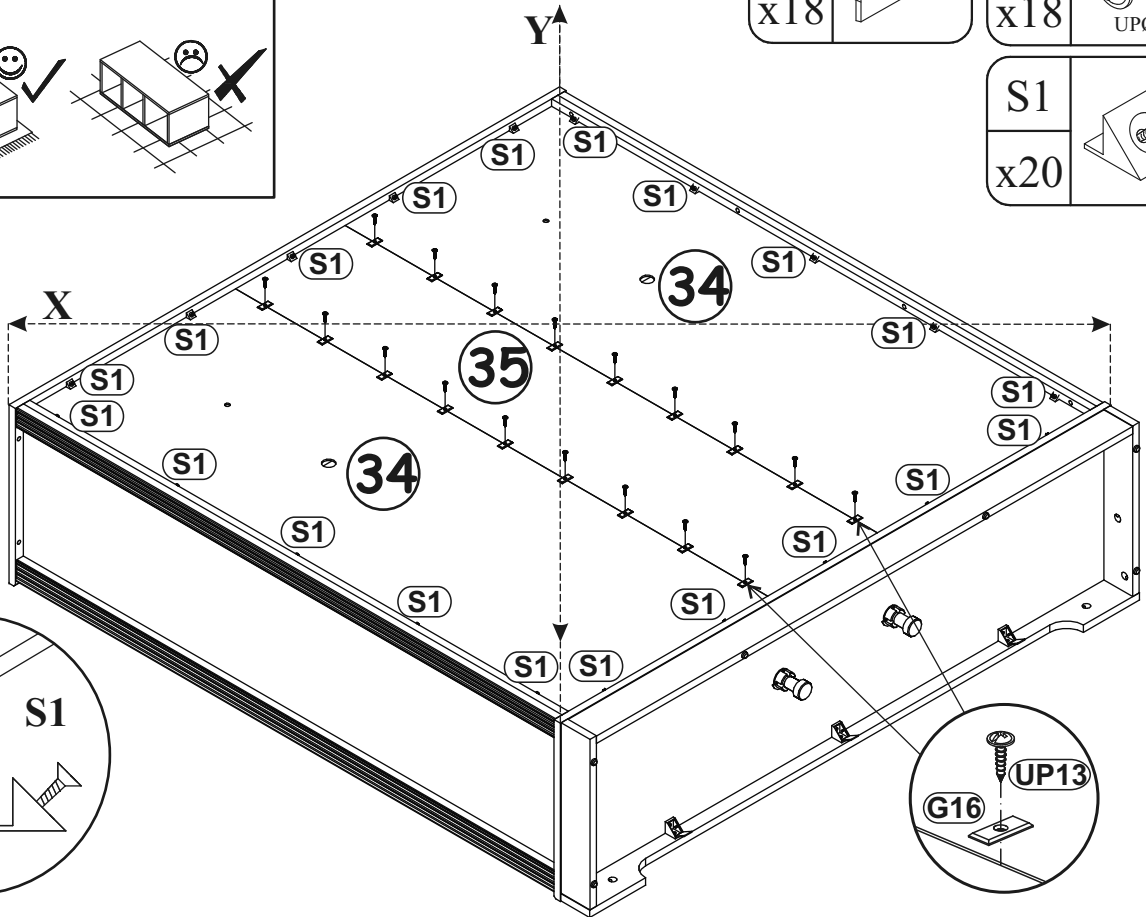
29



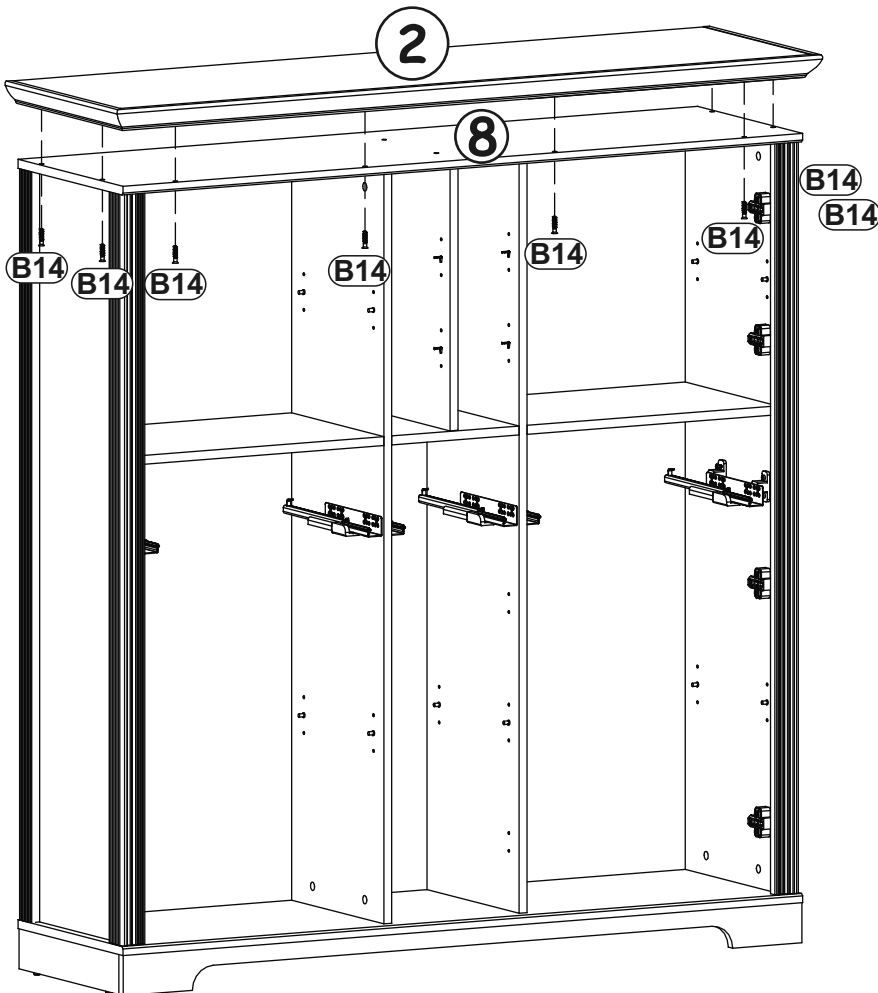
G16	
x18	

UP13	
x18	UPØ3x16

S1	
x20	

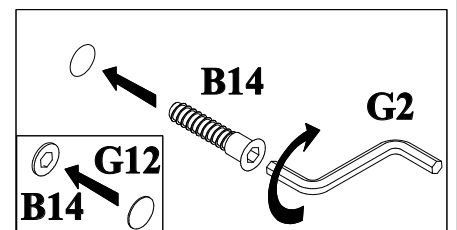
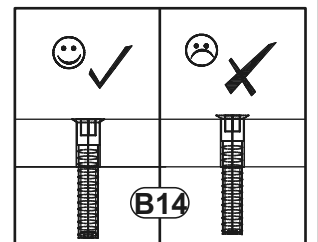


30

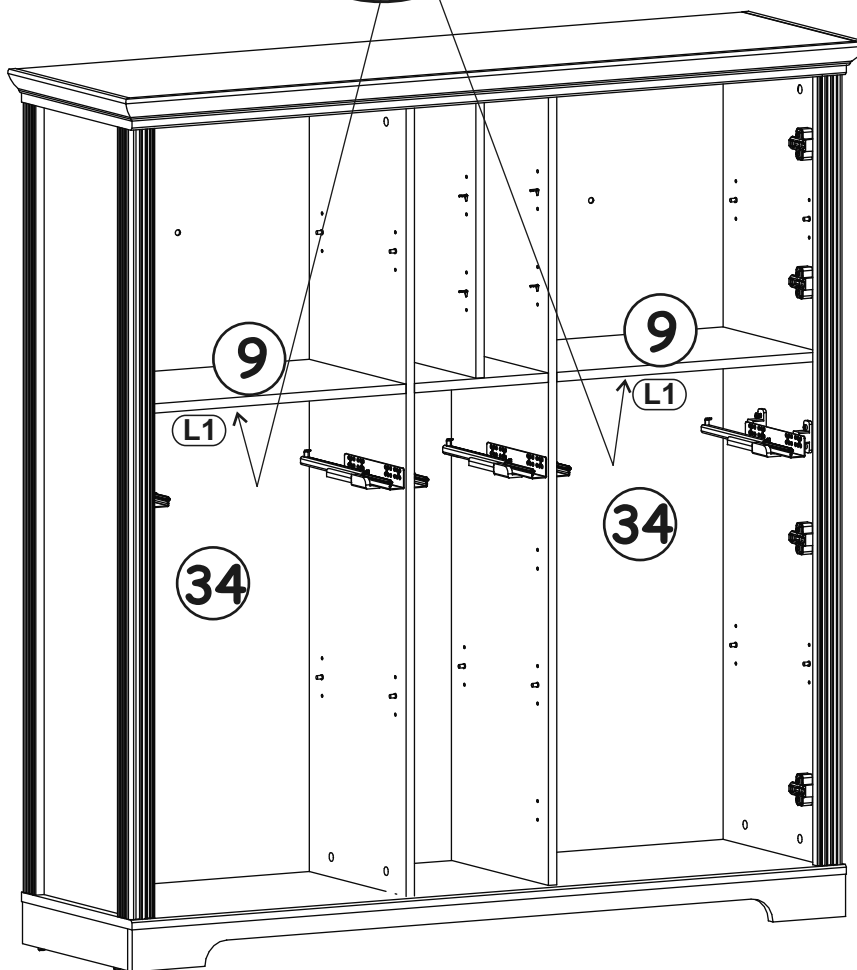
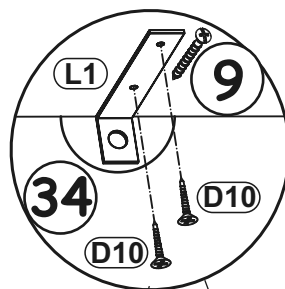
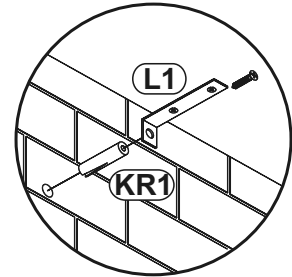
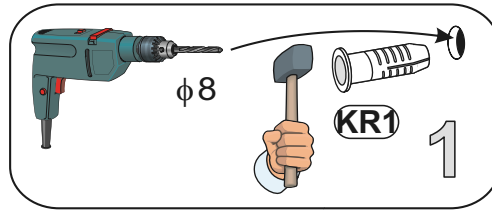
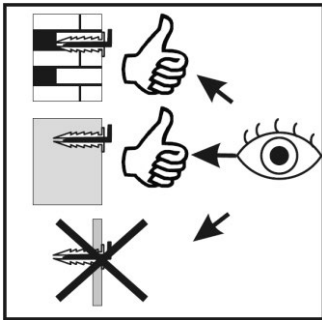
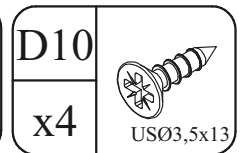
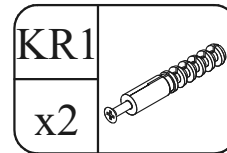
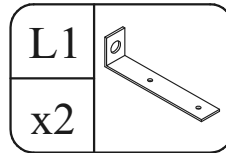


B14	
x8	Ø7x30

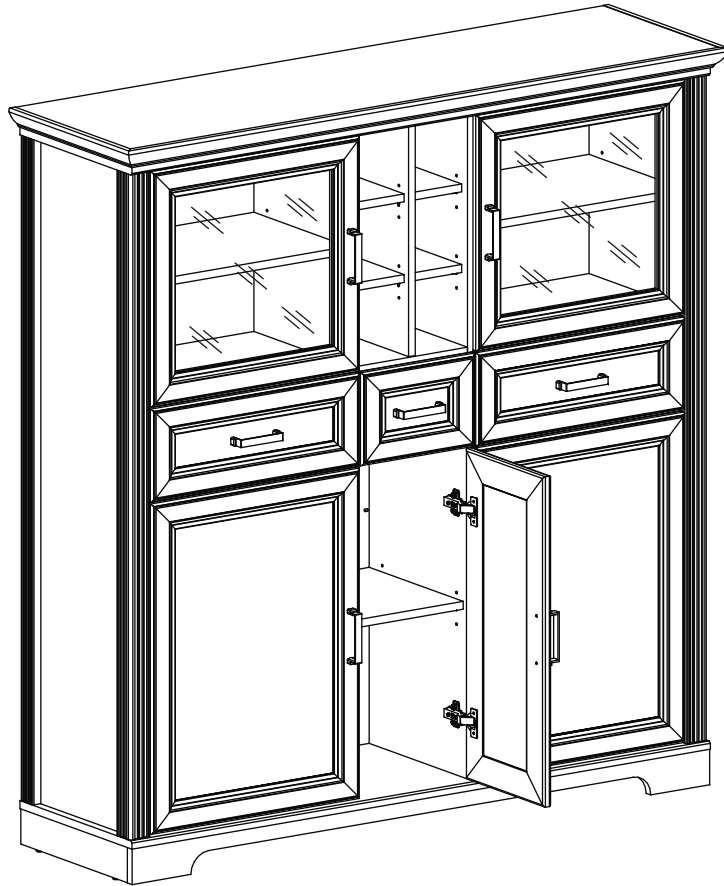
G12	
x8	Ø14



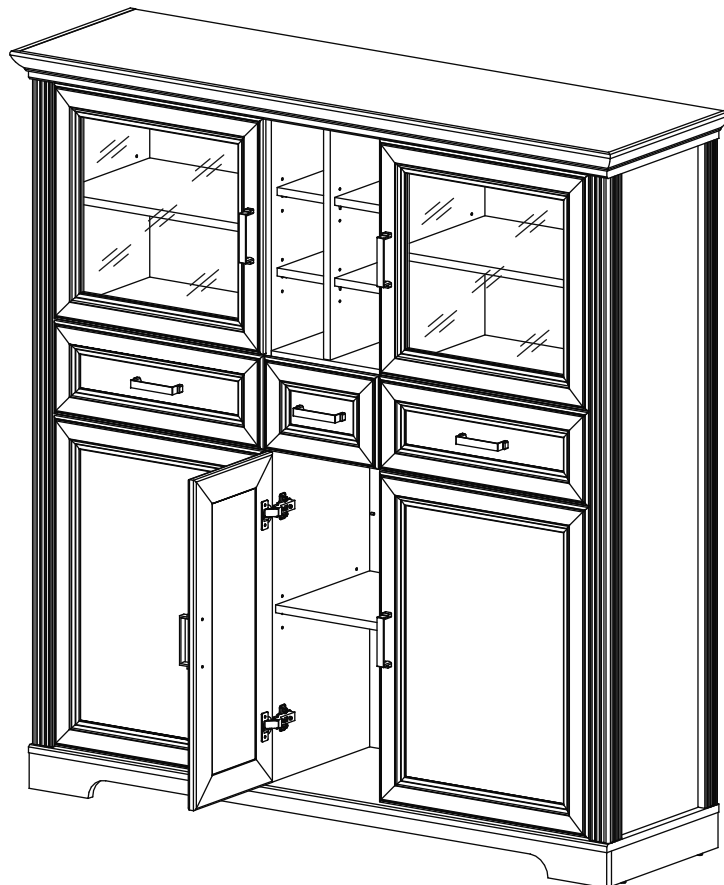
31



**32-36**

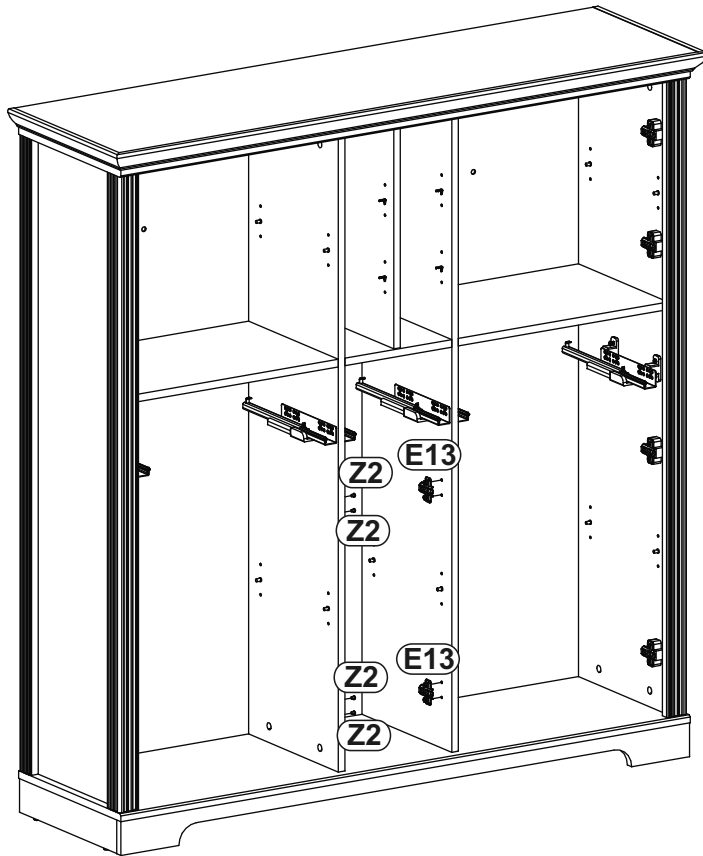
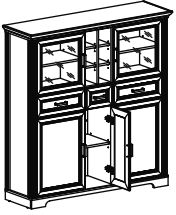


**37-41**

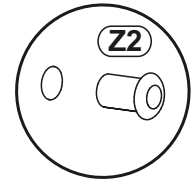
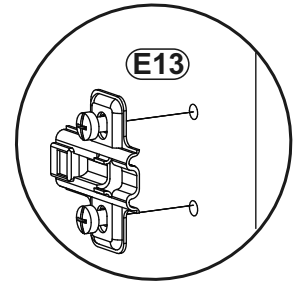




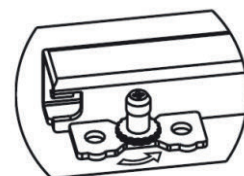
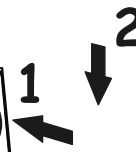
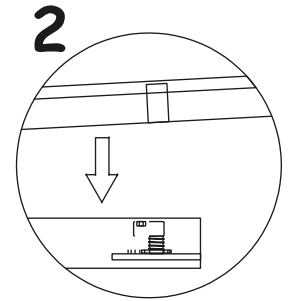
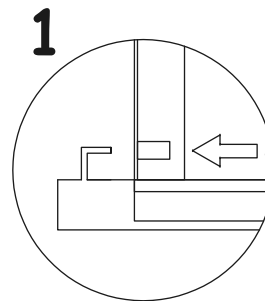
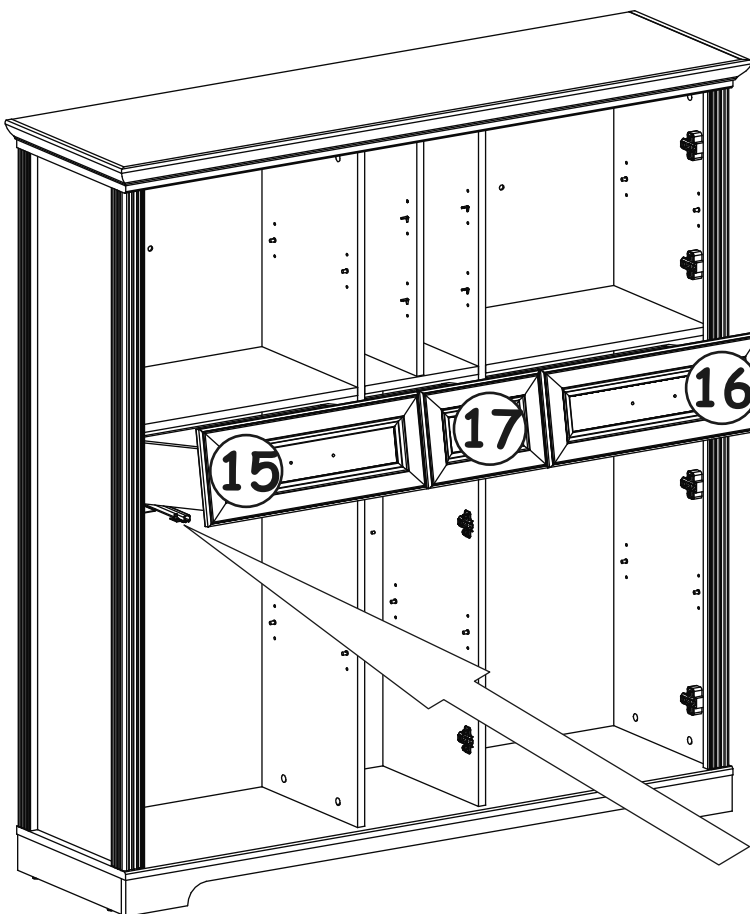
32



E13		Z2	
x2		x4	Ø5

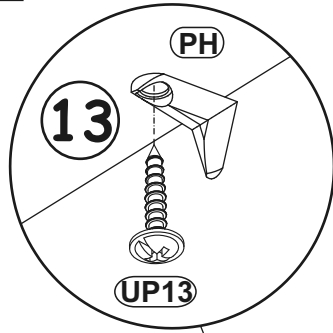
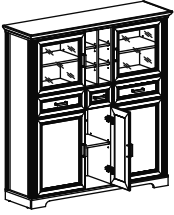


33

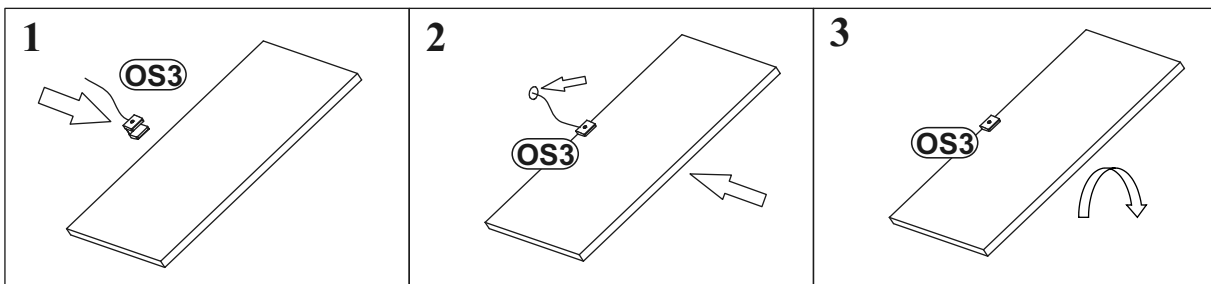
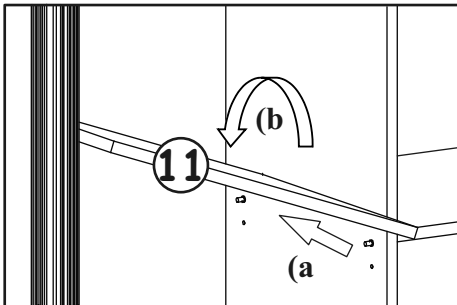
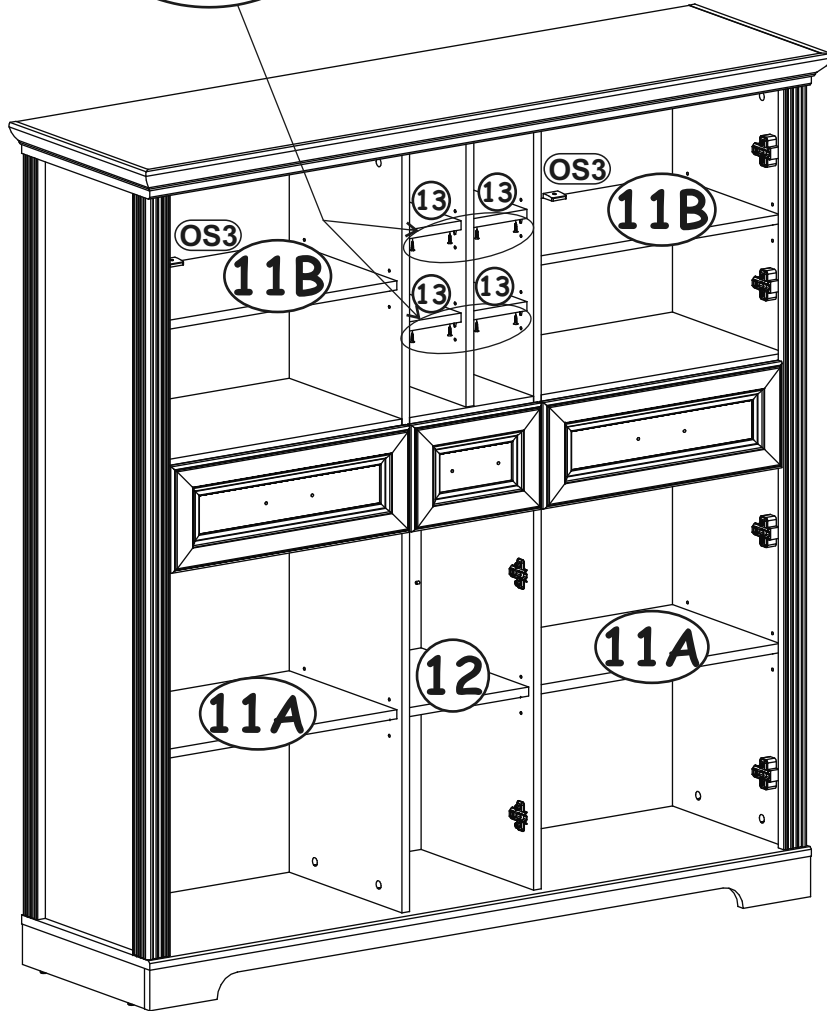


↑ +4 mm

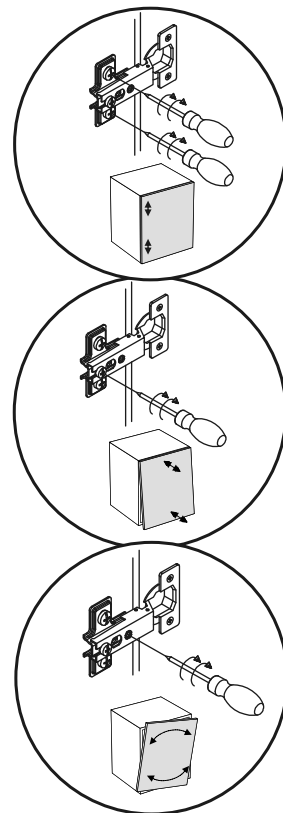
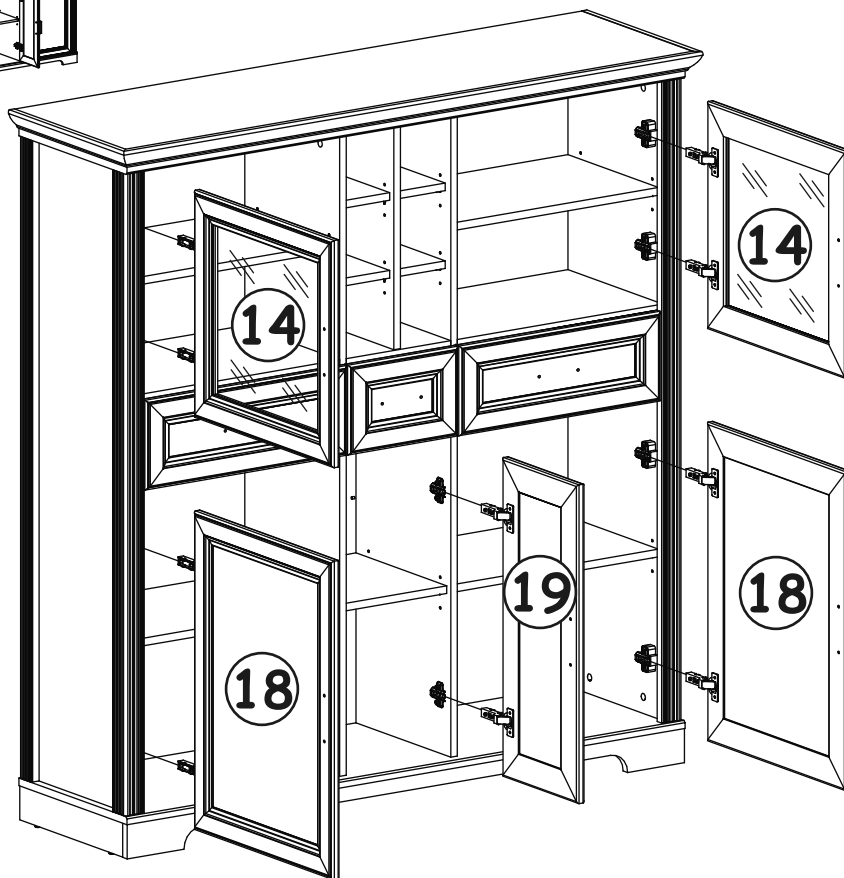
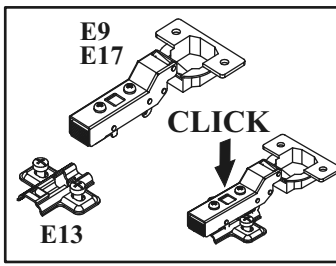
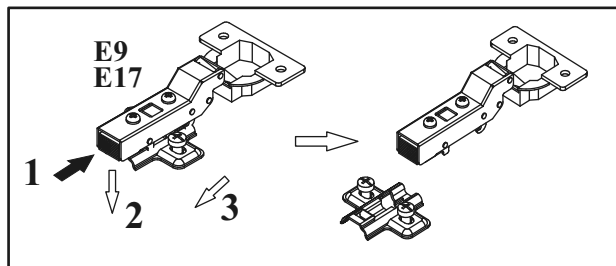
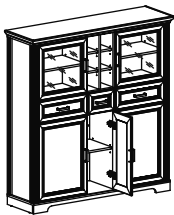
34



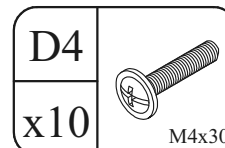
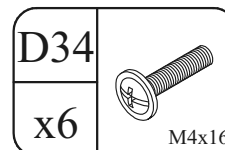
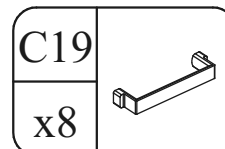
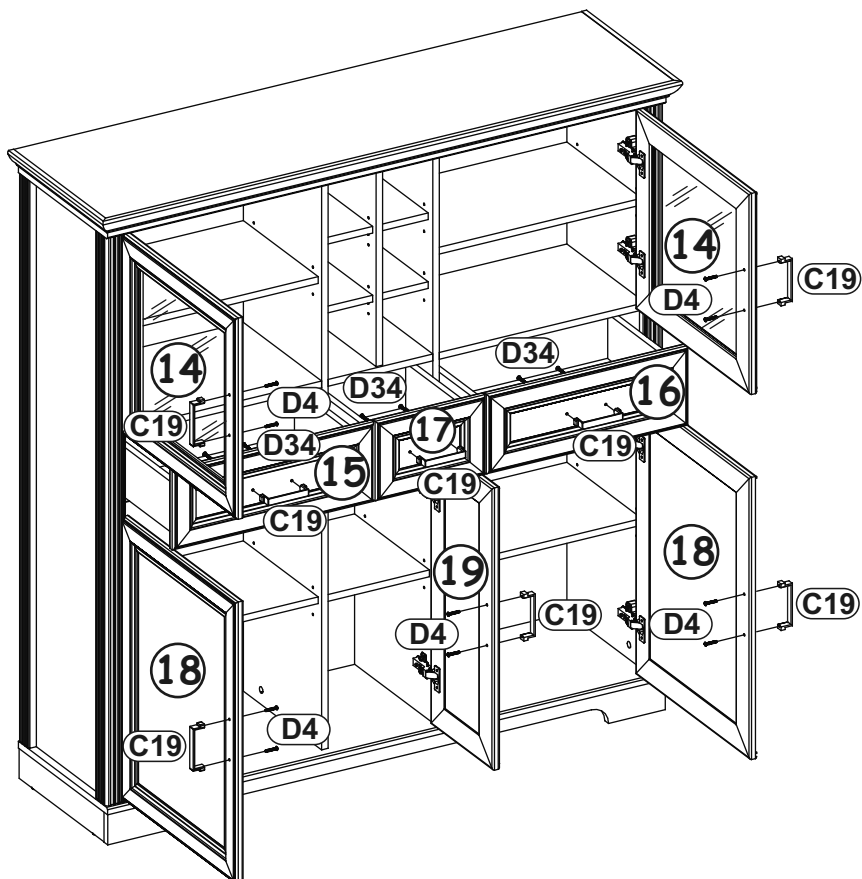
OS3		UP13	
x2		x8	UPØ3x16



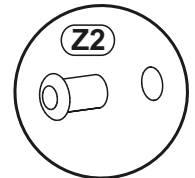
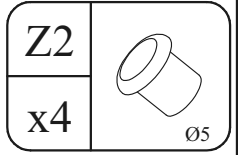
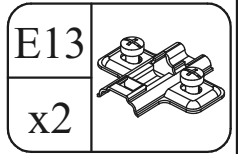
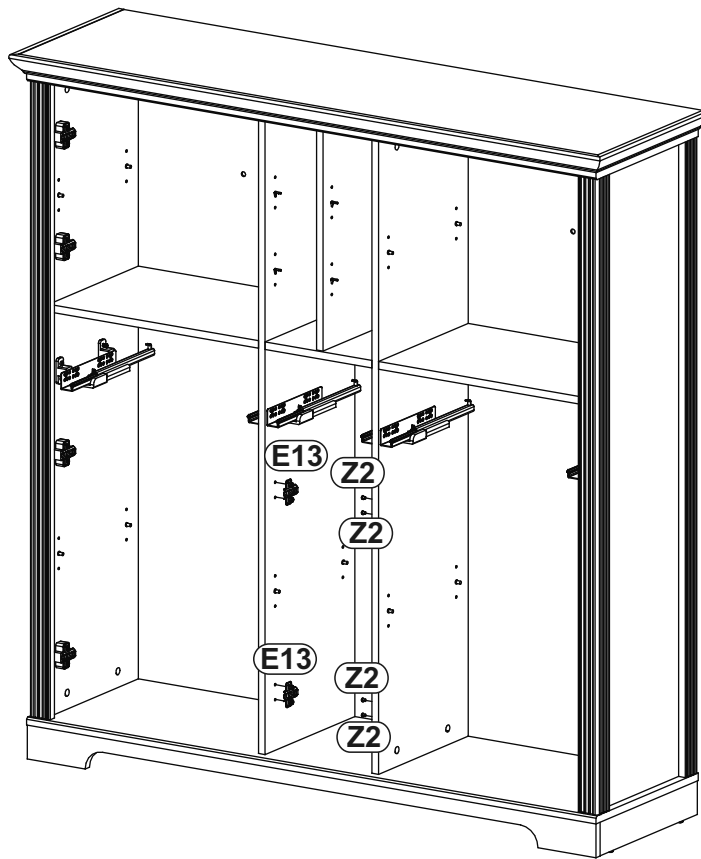
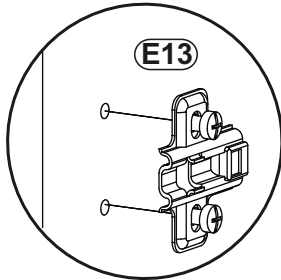
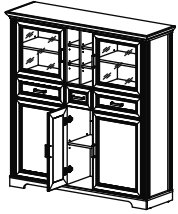
35



36

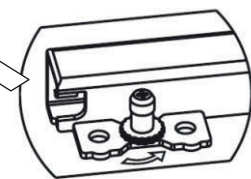
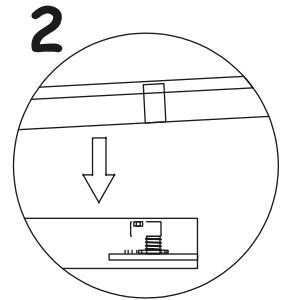
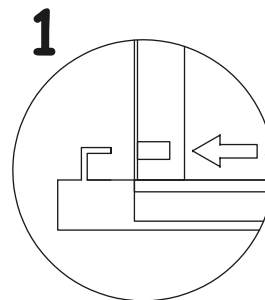
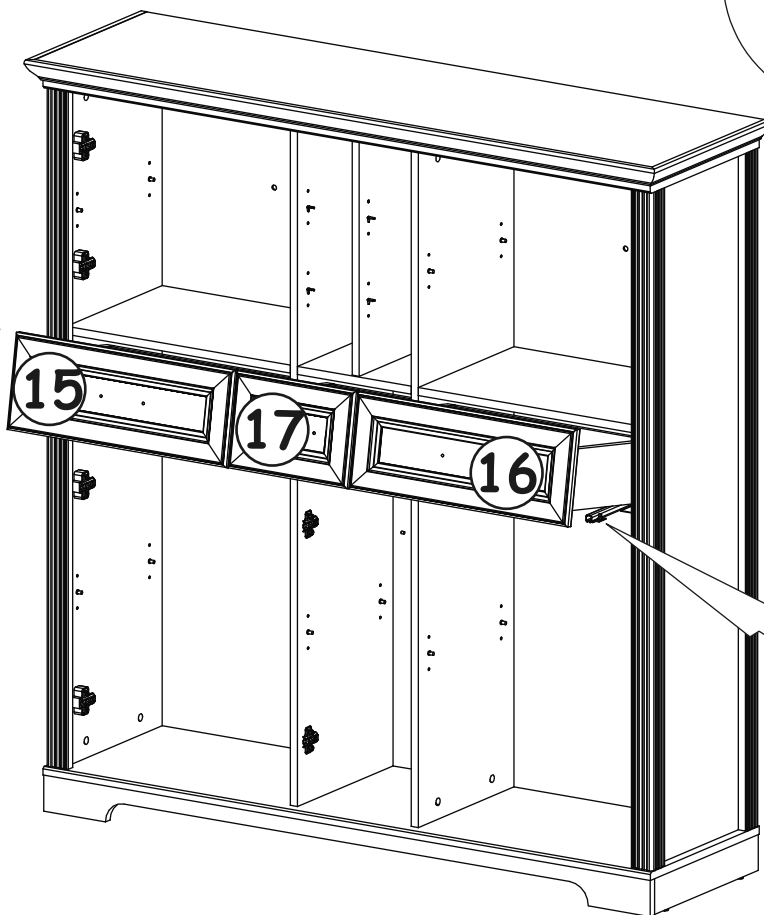


37



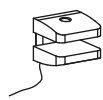

38

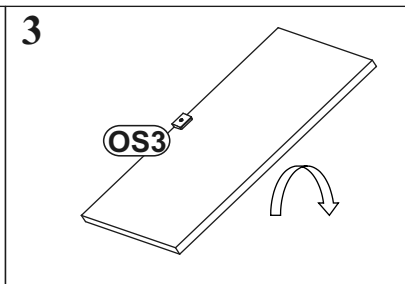
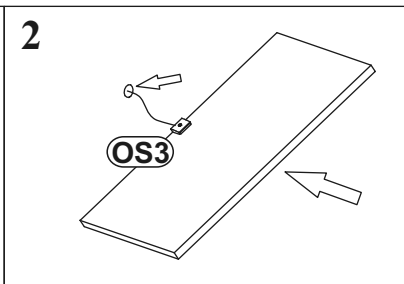
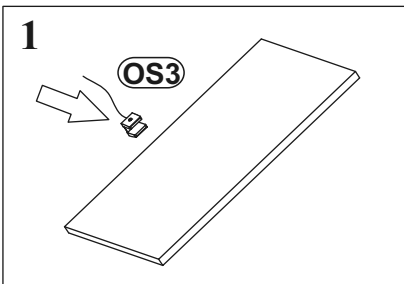
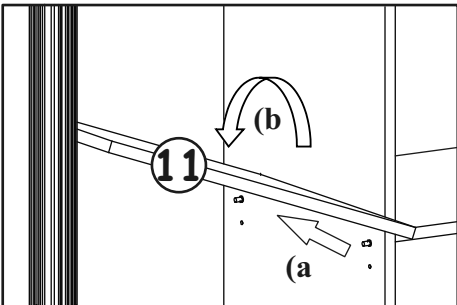
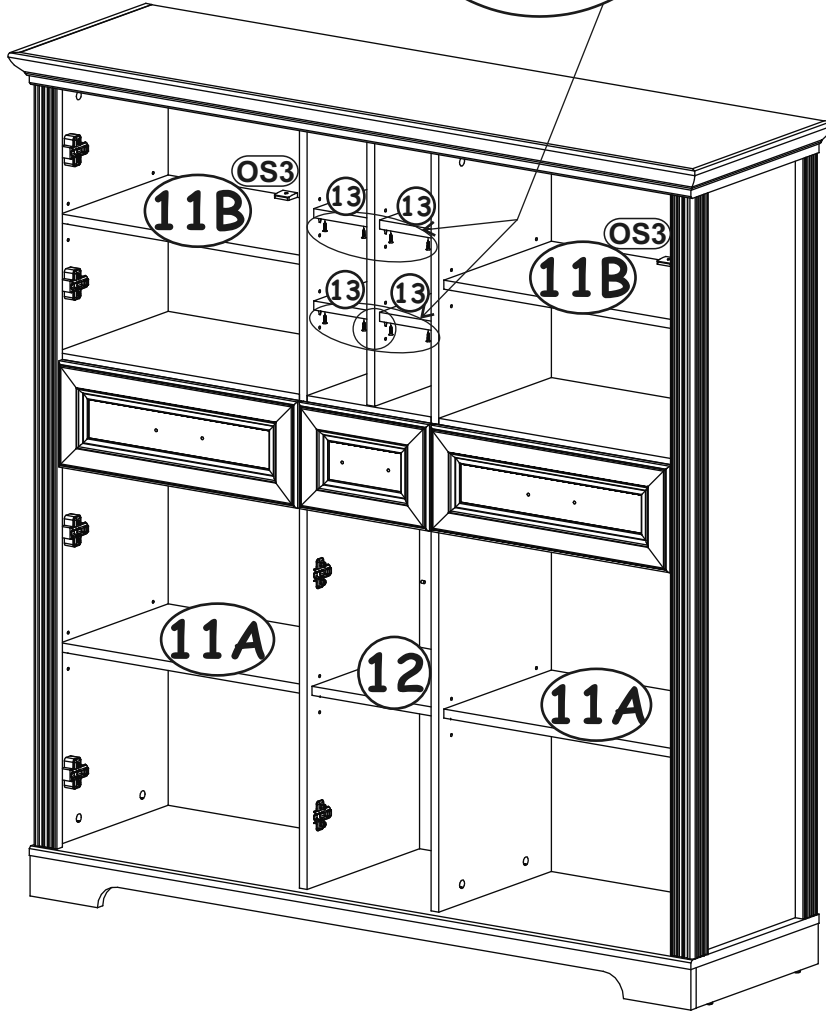
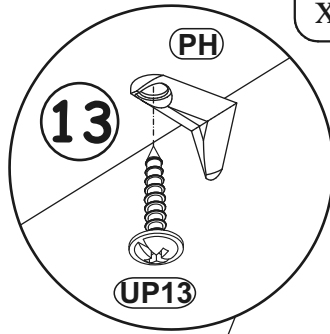
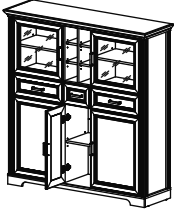
2  
1



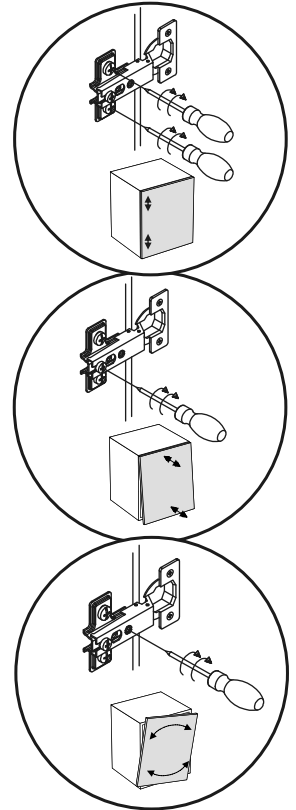
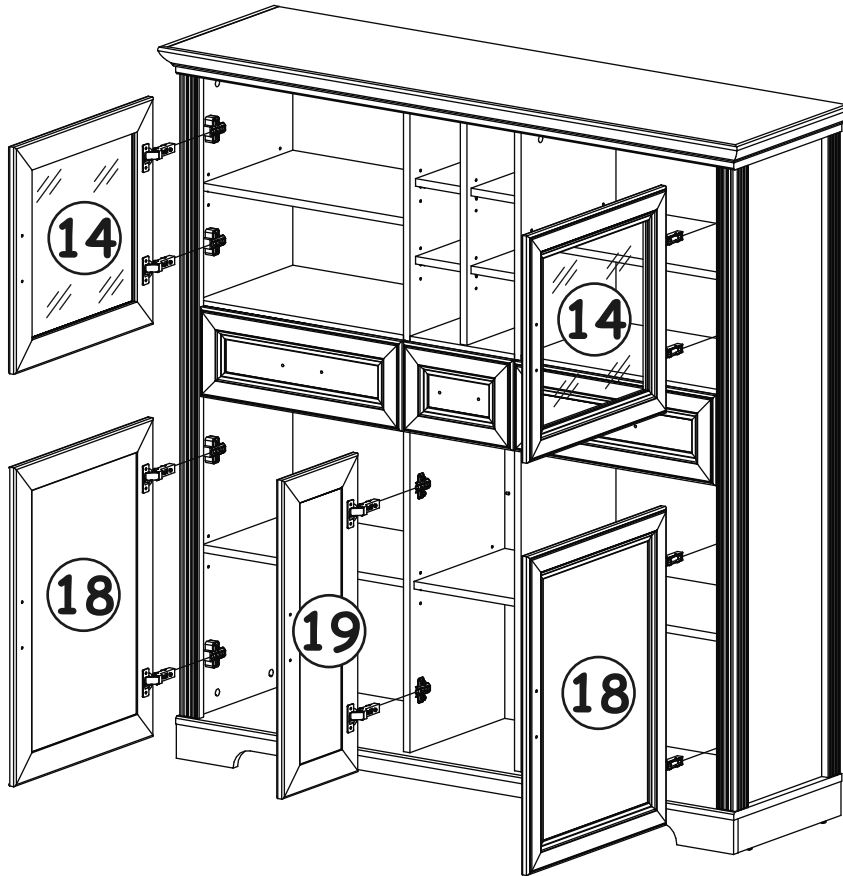
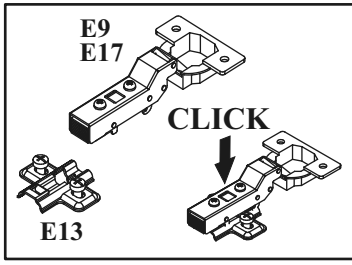
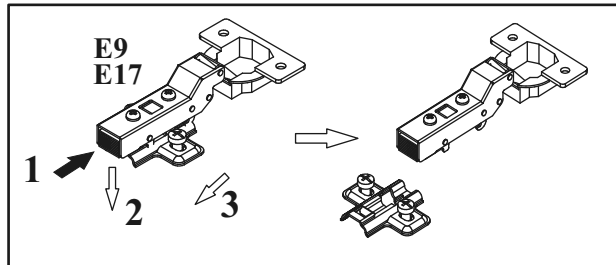
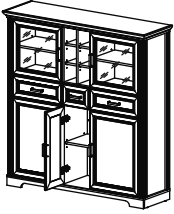
↑ +4 mm

39

OS3		UP13	
x2		x8	UPØ3x16



40



41

