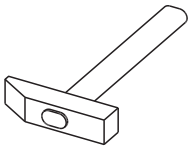
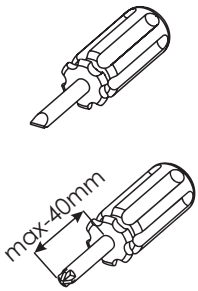
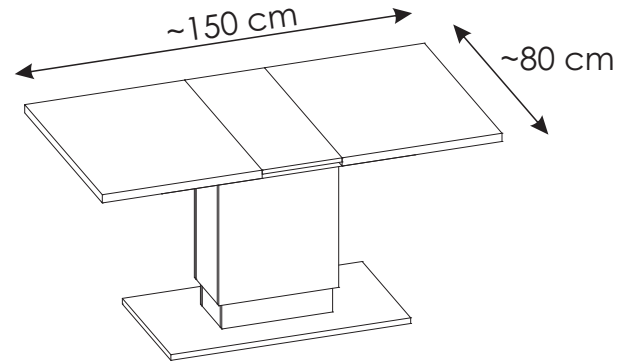
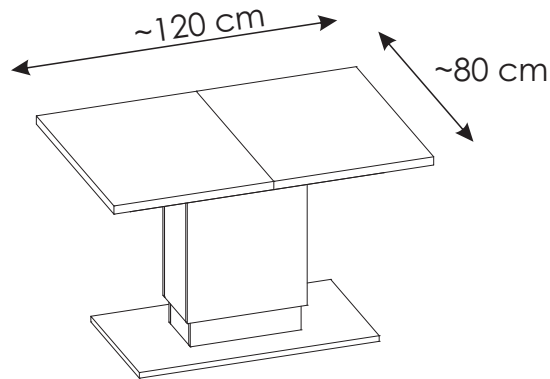
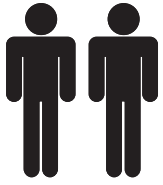
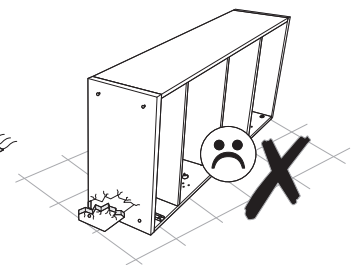
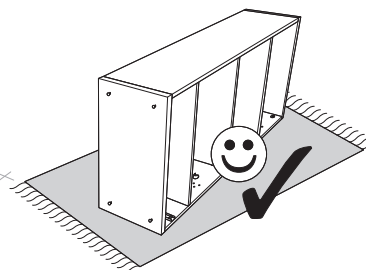
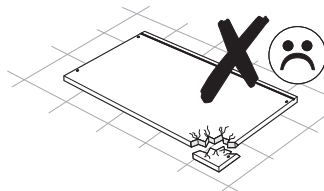
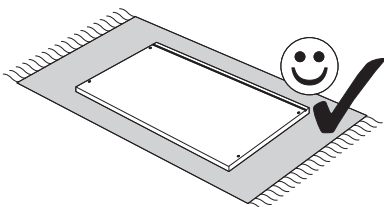
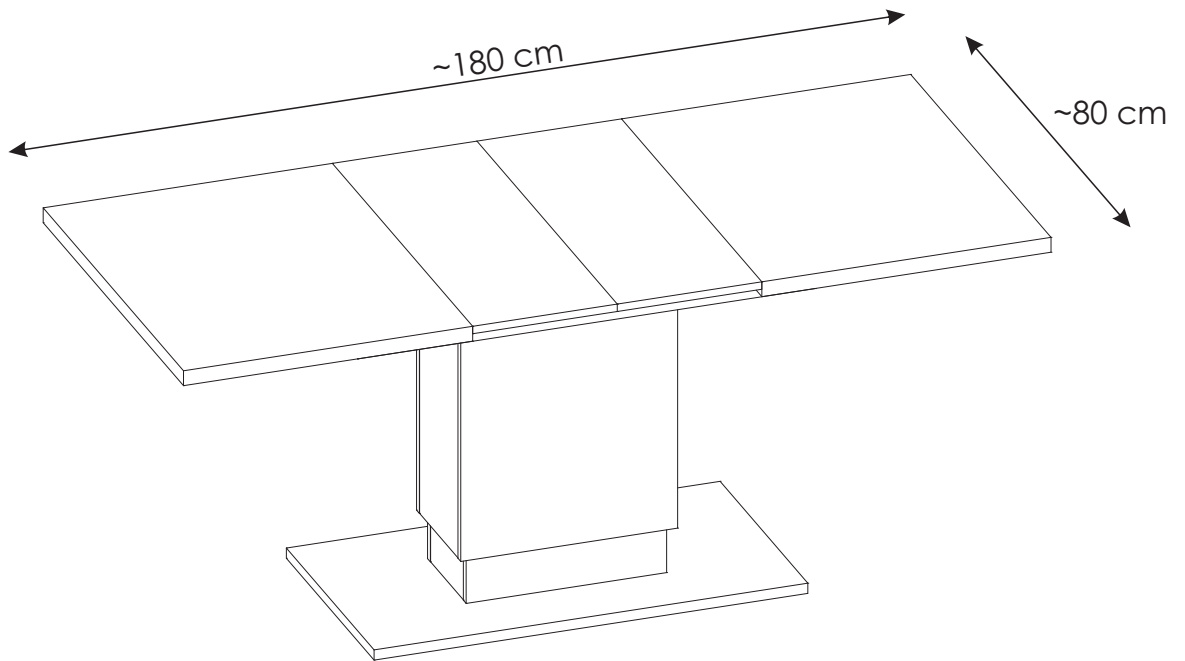


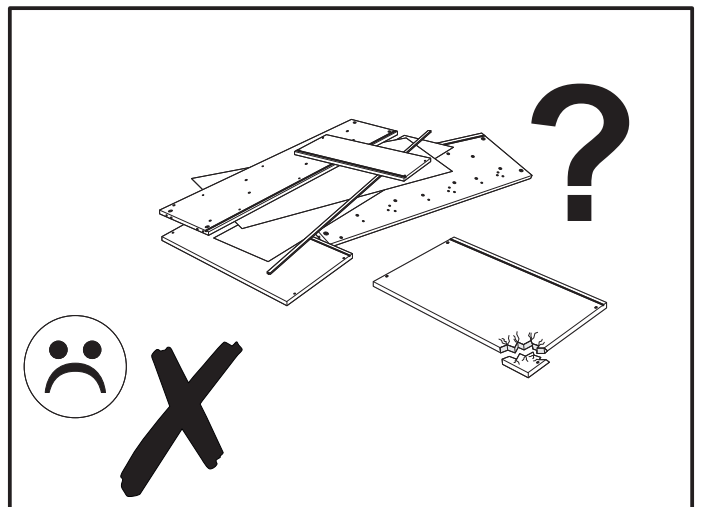
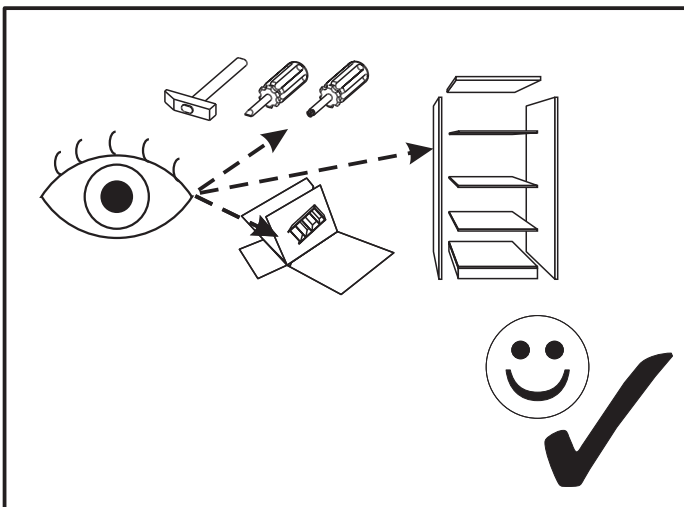
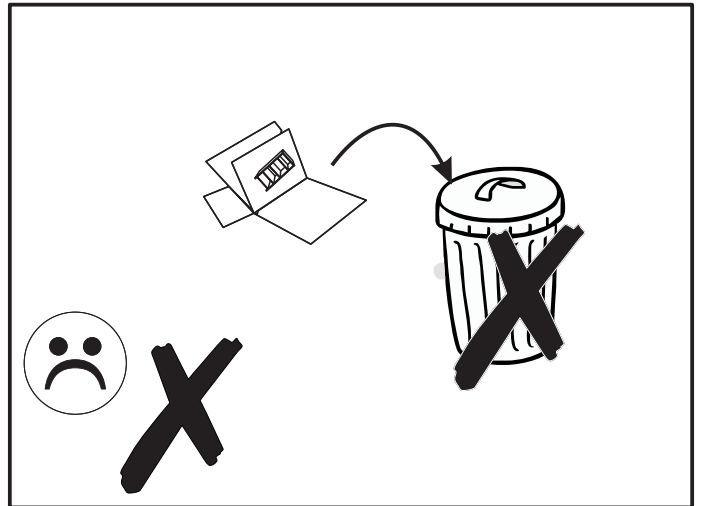
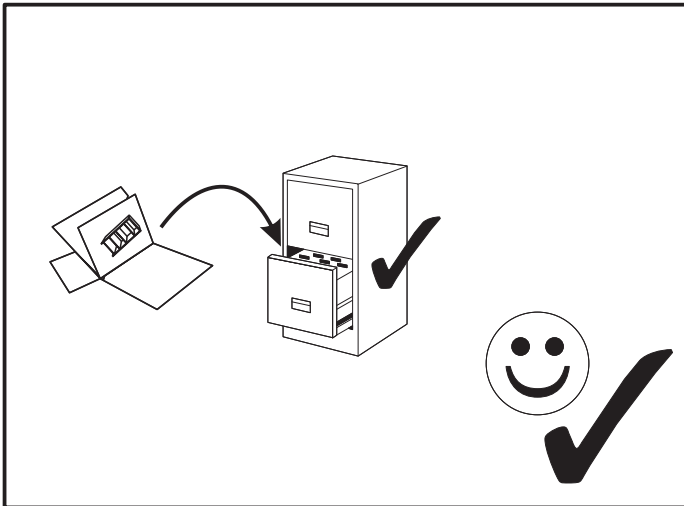
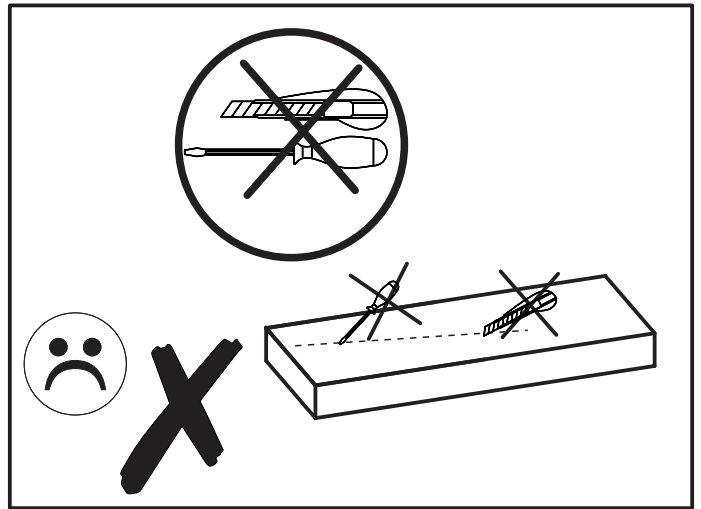
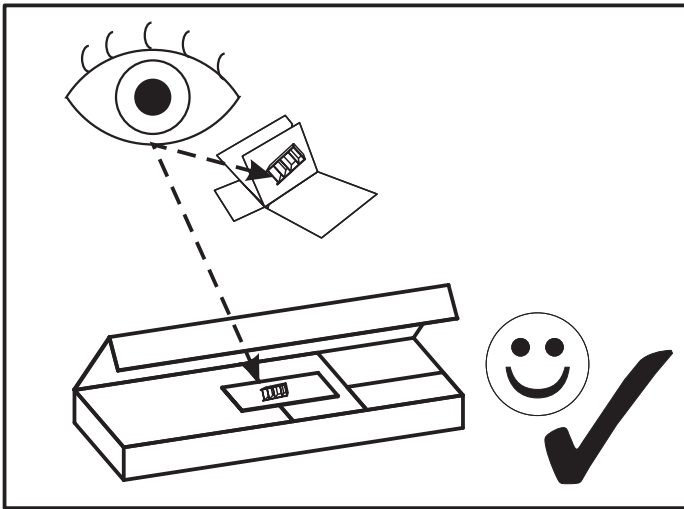
XXX/186

Hela Tische Möbel Vertriebs GmbH
Scheidkamp 14 D 32584 Löhne
service@hela-tische.de

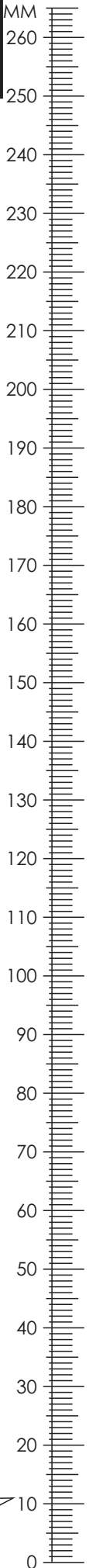





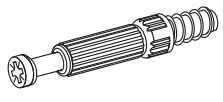

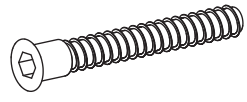


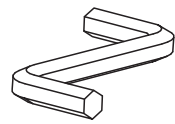
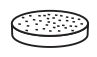
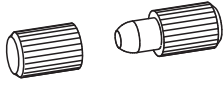
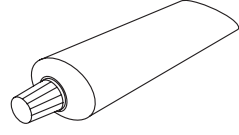
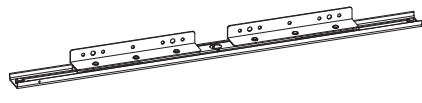
~76,2 cm





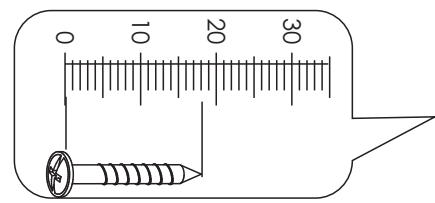
XXX/186



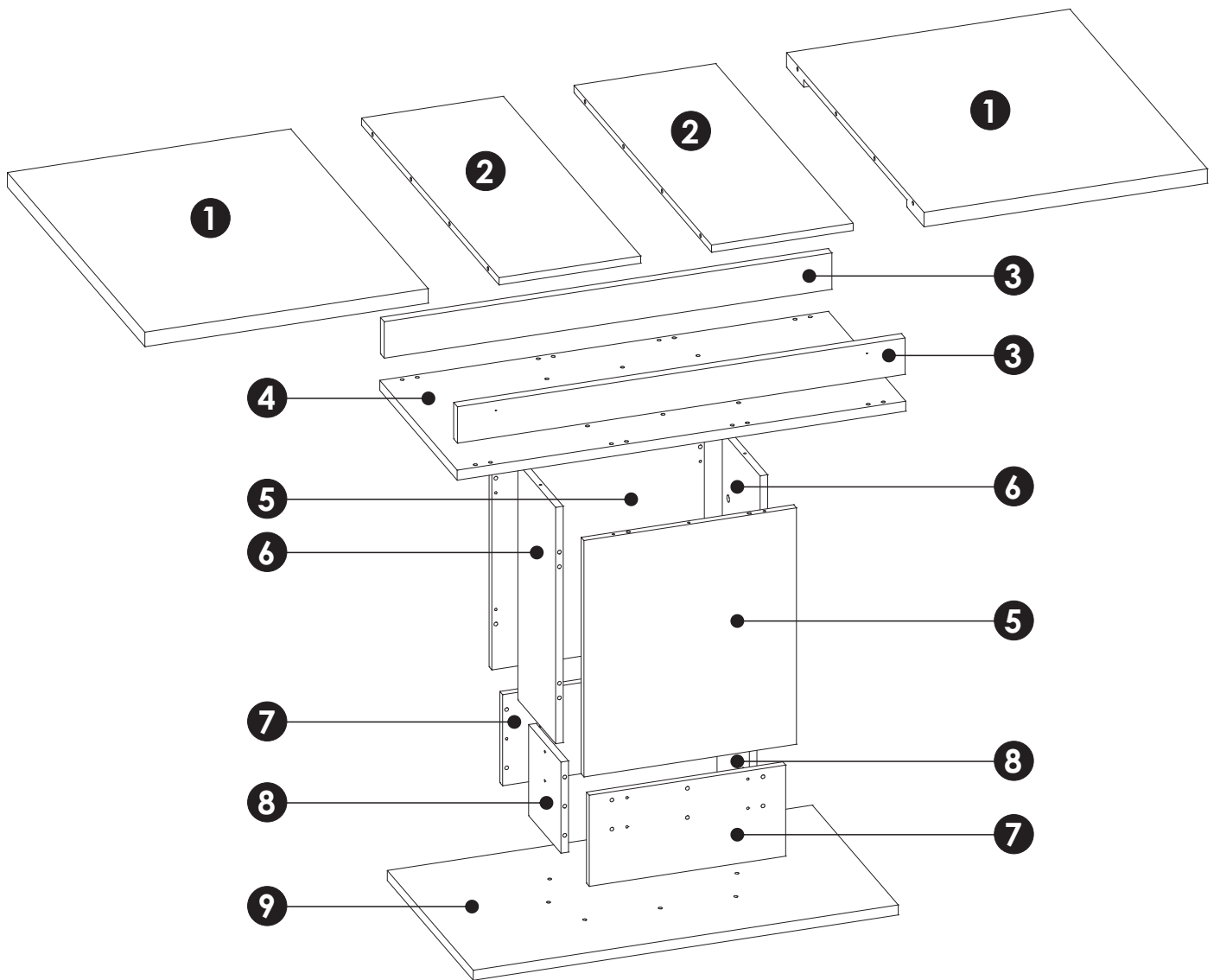
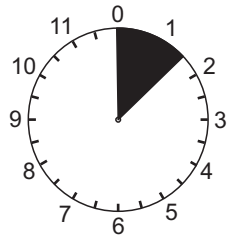
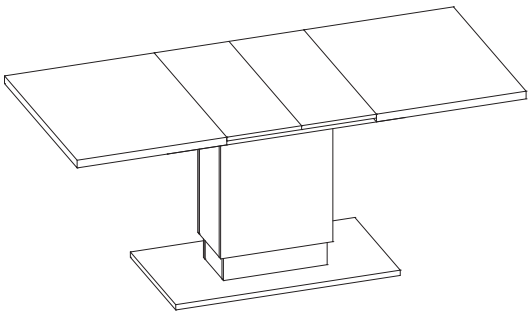
A1 8 x 35 mm x30 	A5 8 x 20 mm x12 	E1 15 x 12 mm x12 
F1 6 x 34 mm x12 	G0 x16 	G2 7 x 60 mm x22 
I2 4 x 16 mm x44 	I11 4 x 27 mm x12 	M x1 
O2A ø20 x18 	R8 x12 	S x1 
T11 x2 		



Séparez les éléments avant de trier

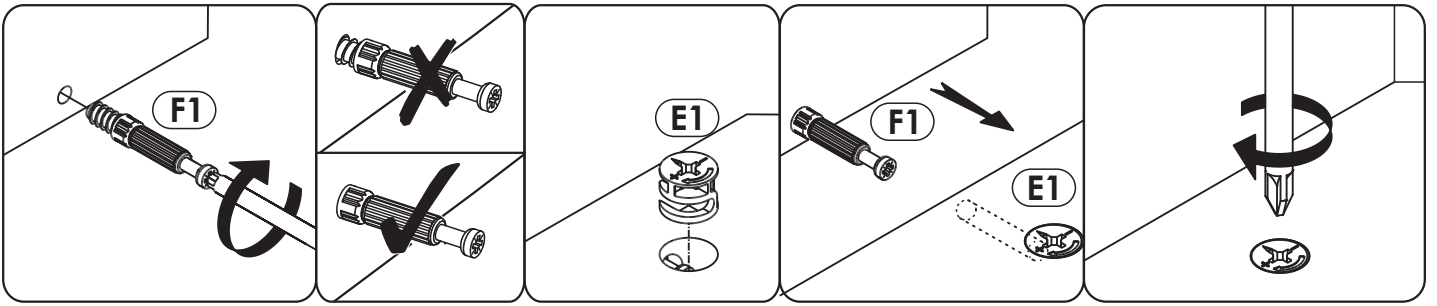


XXX/186

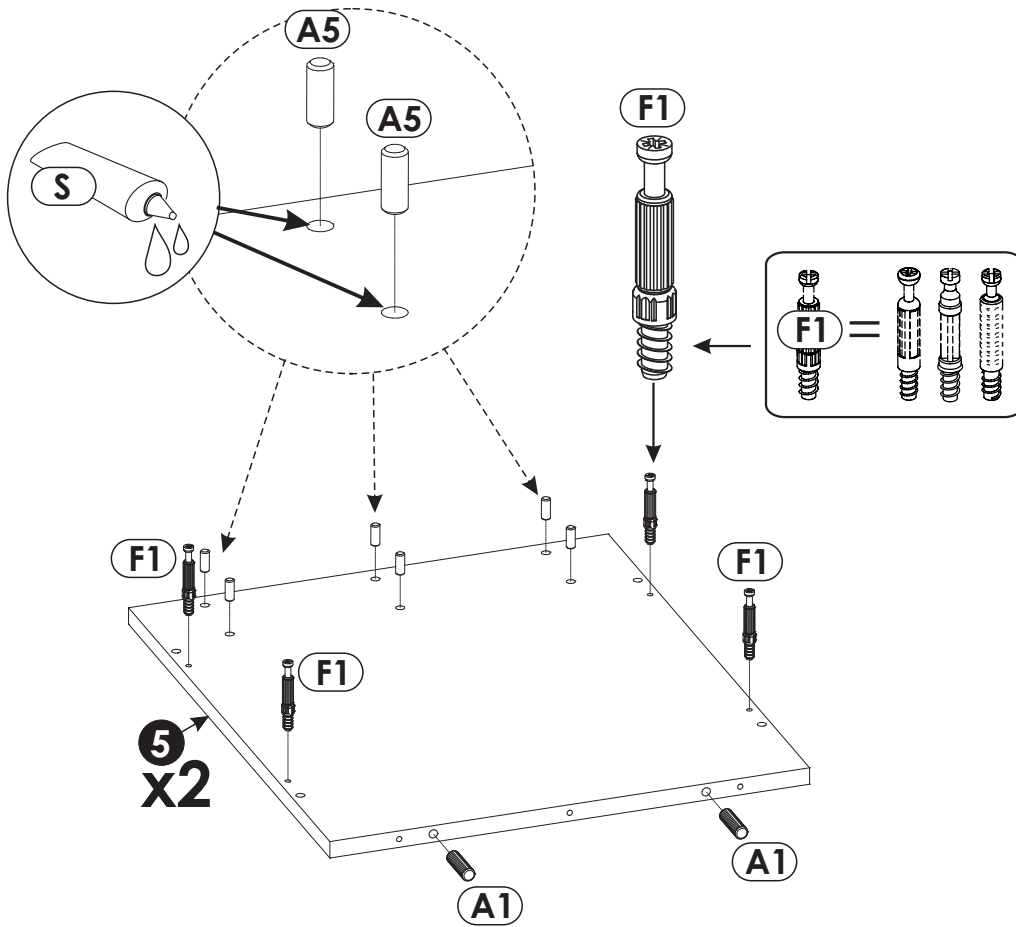


1	600	800	32	x2	2/2
2	300	800	16	x2	2/2
3	948	80	22	x2	1/2
4	950	450	22	x1	1/2

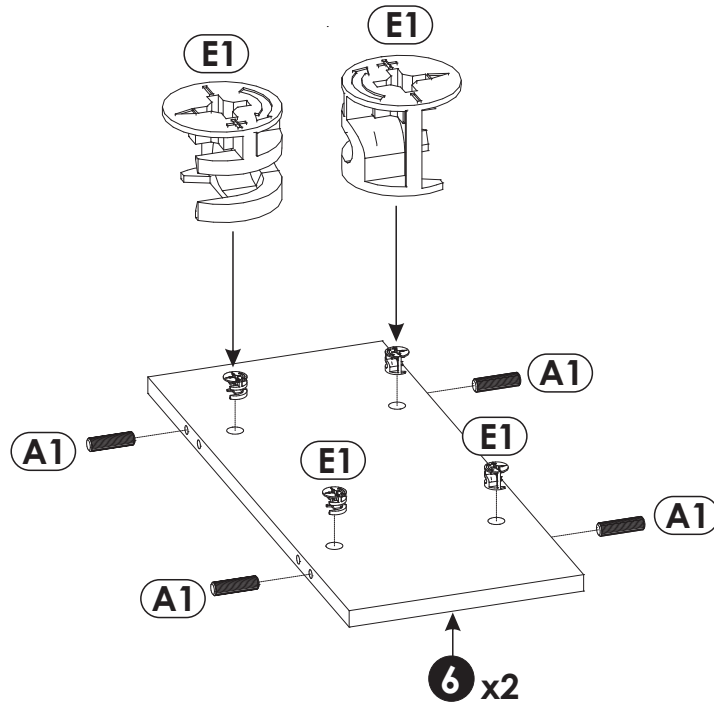
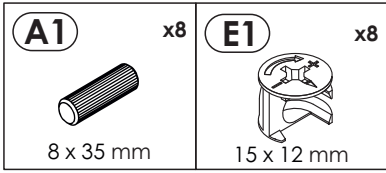
5	519	450	16	x2	2/2
6	519	220	16	x2	1/2
7	416	200	16	x2	1/2
8	200	188	16	x2	1/2
9	900	500	22	x1	1/2



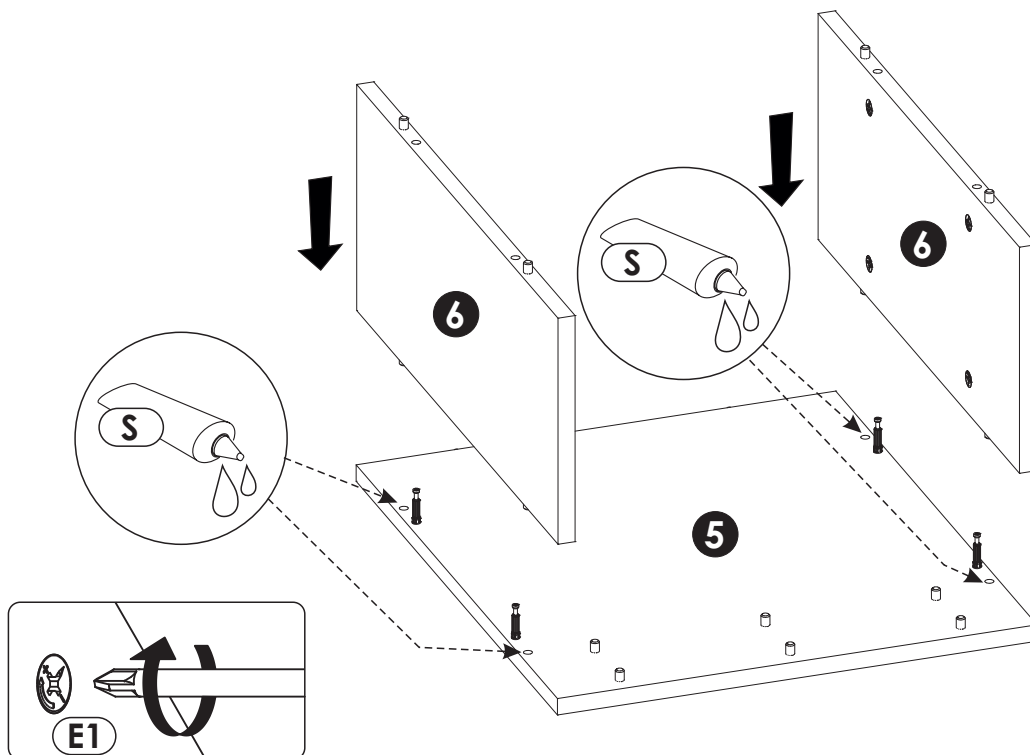
A1 x4 8 x 35 mm	A5 x12 8 x 20 mm	F1 x8 6 x 34 mm	S x1
---------------------------	----------------------------	---------------------------	-------------



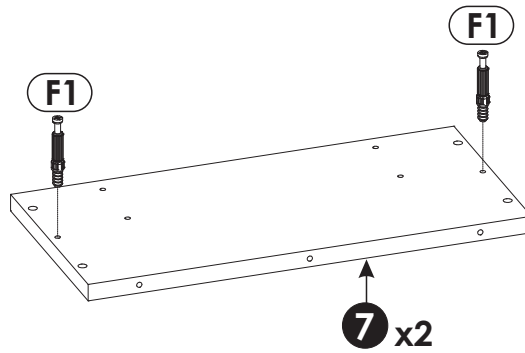
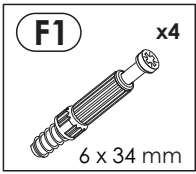
2 ▶



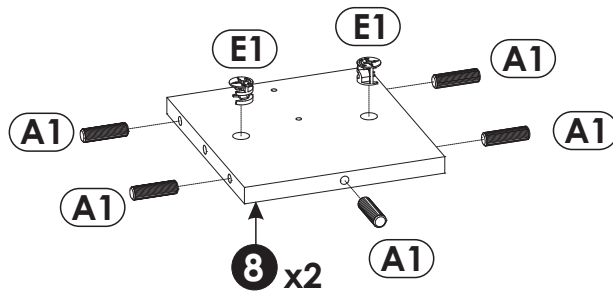
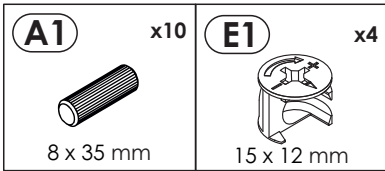
3 ▶



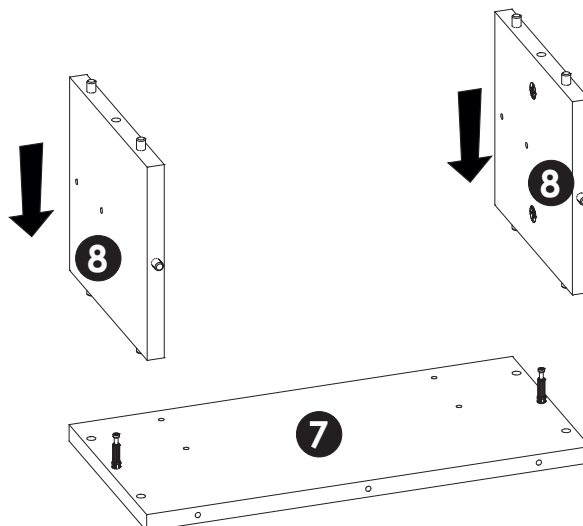
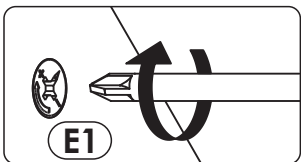
4 ▶



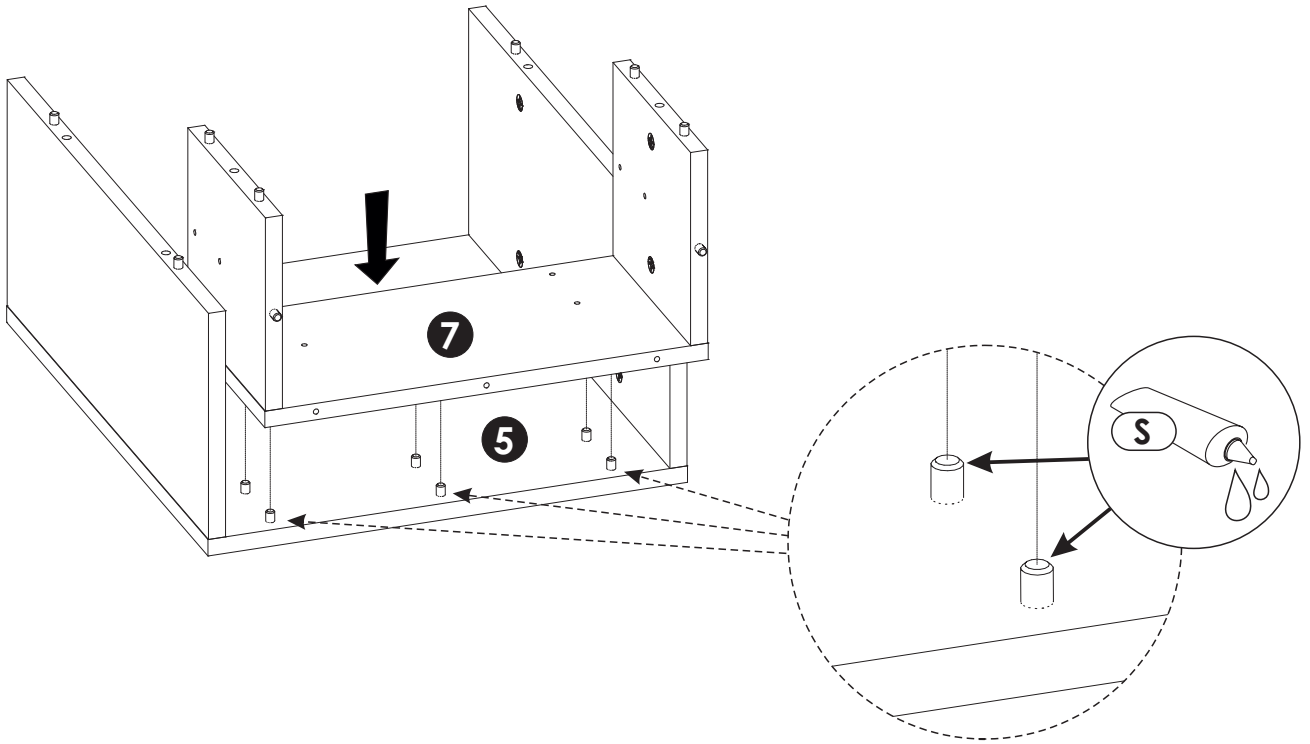
5 ▶



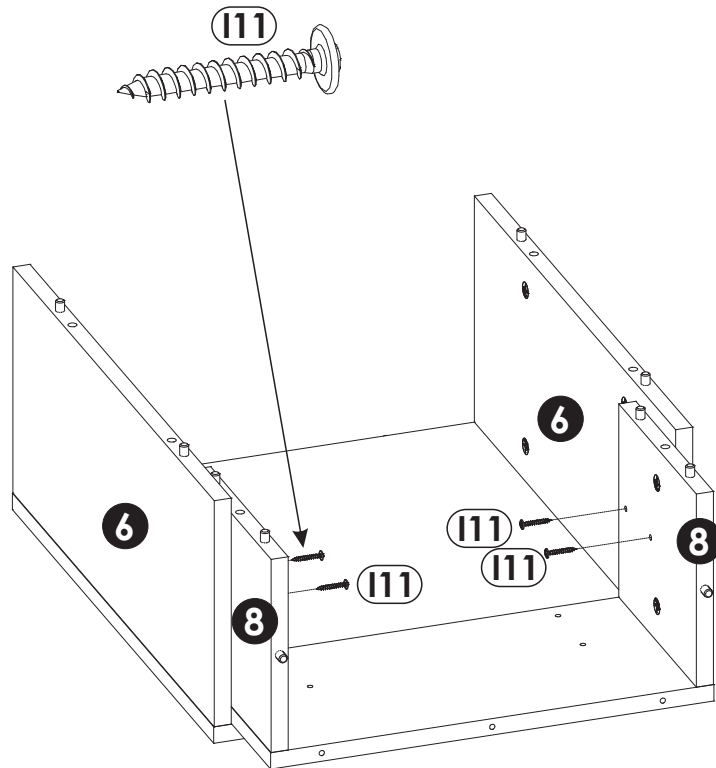
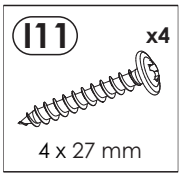
6 ▶



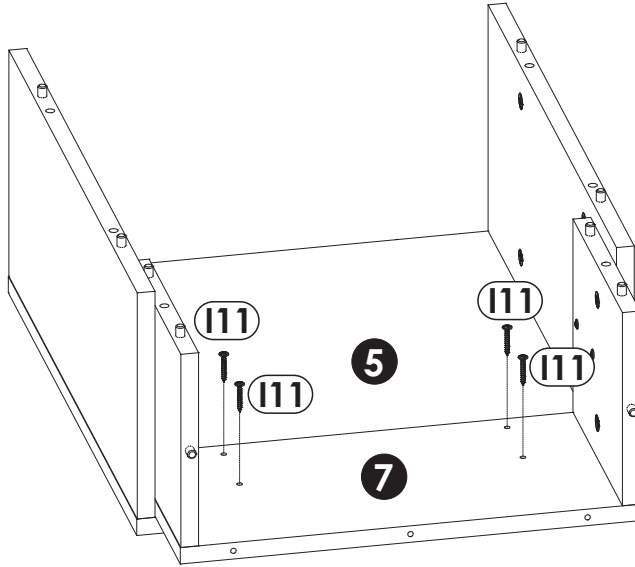
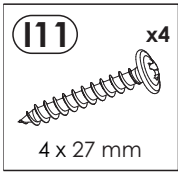
7 ▶



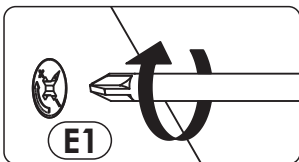
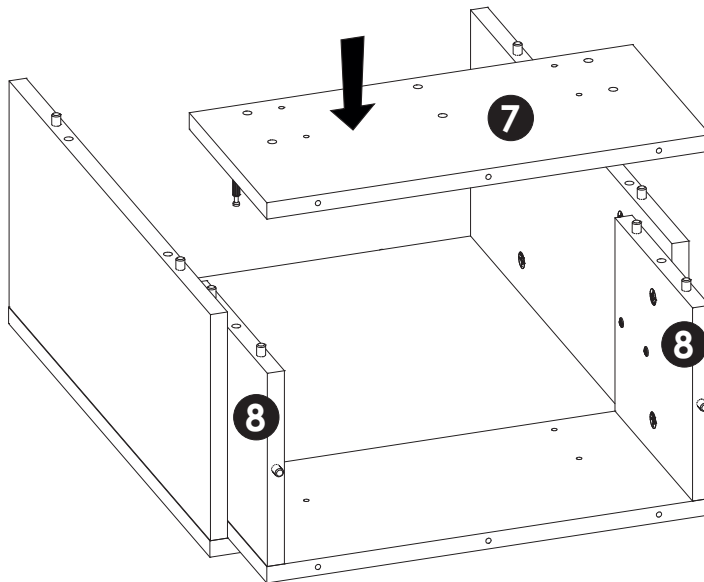
8 ▶



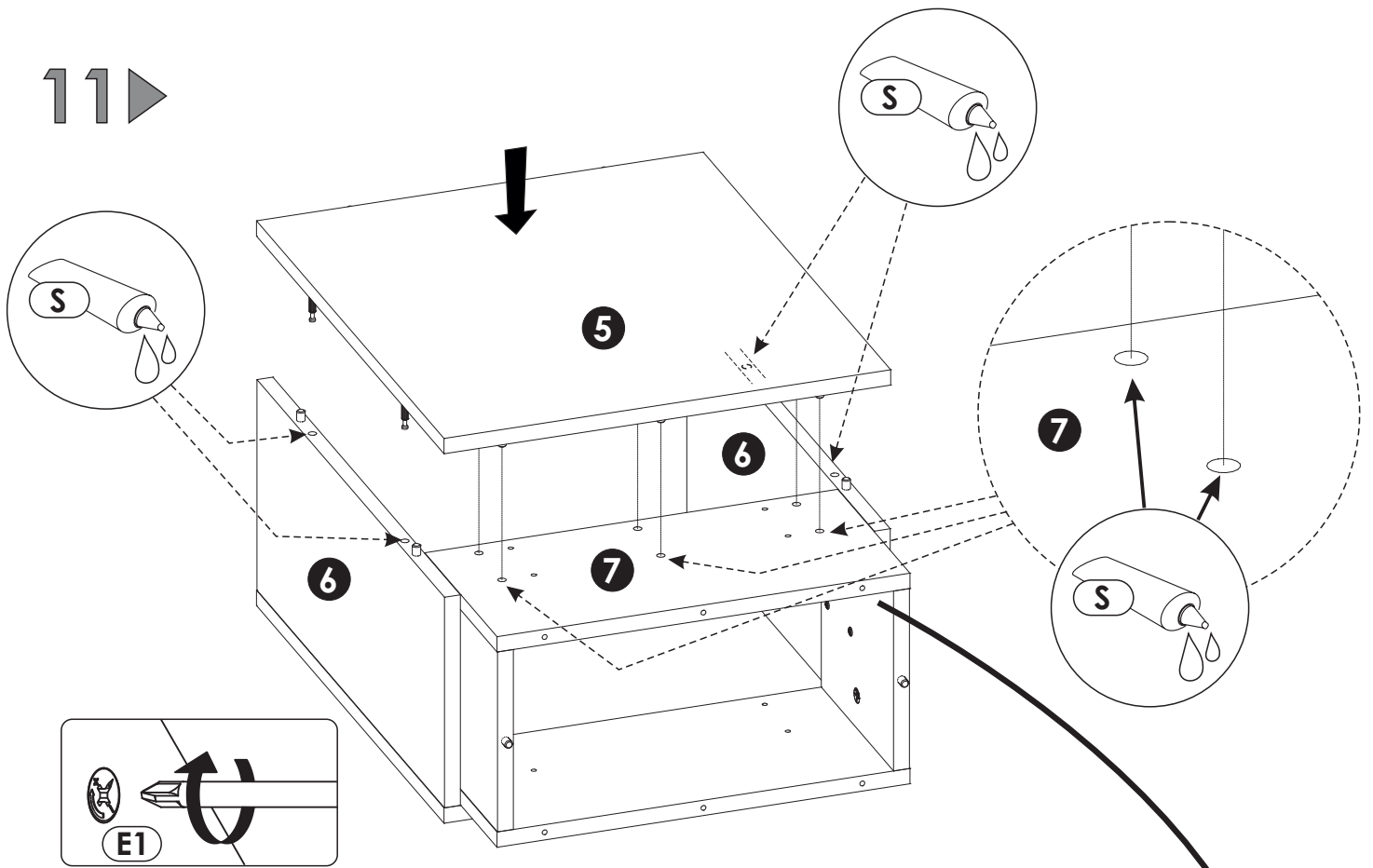
9 ▶



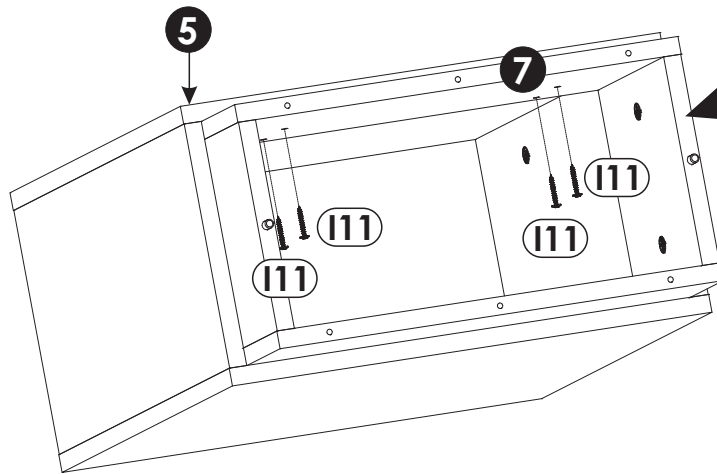
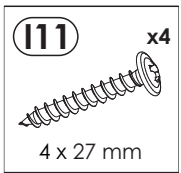
10 ▶



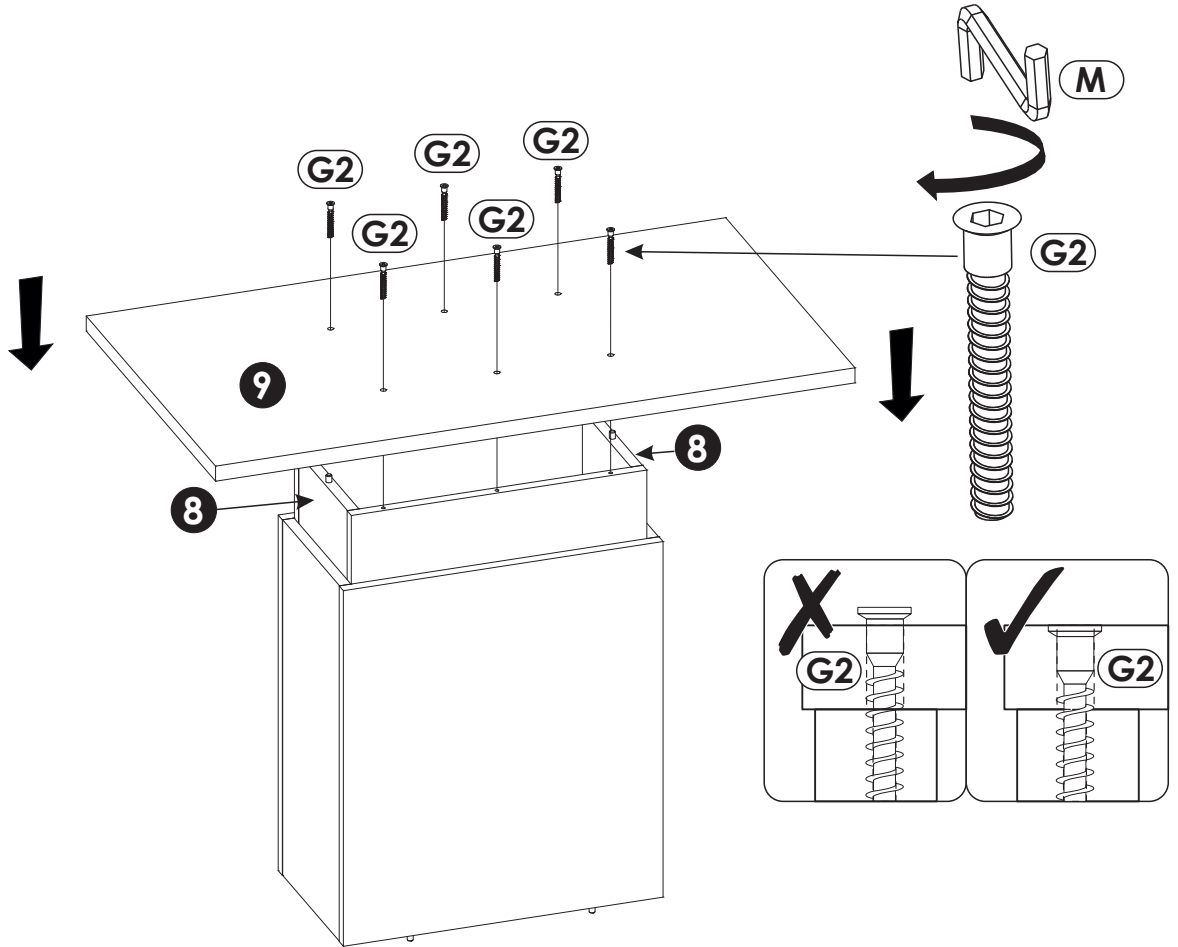
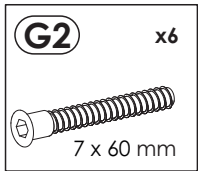
11 ▶



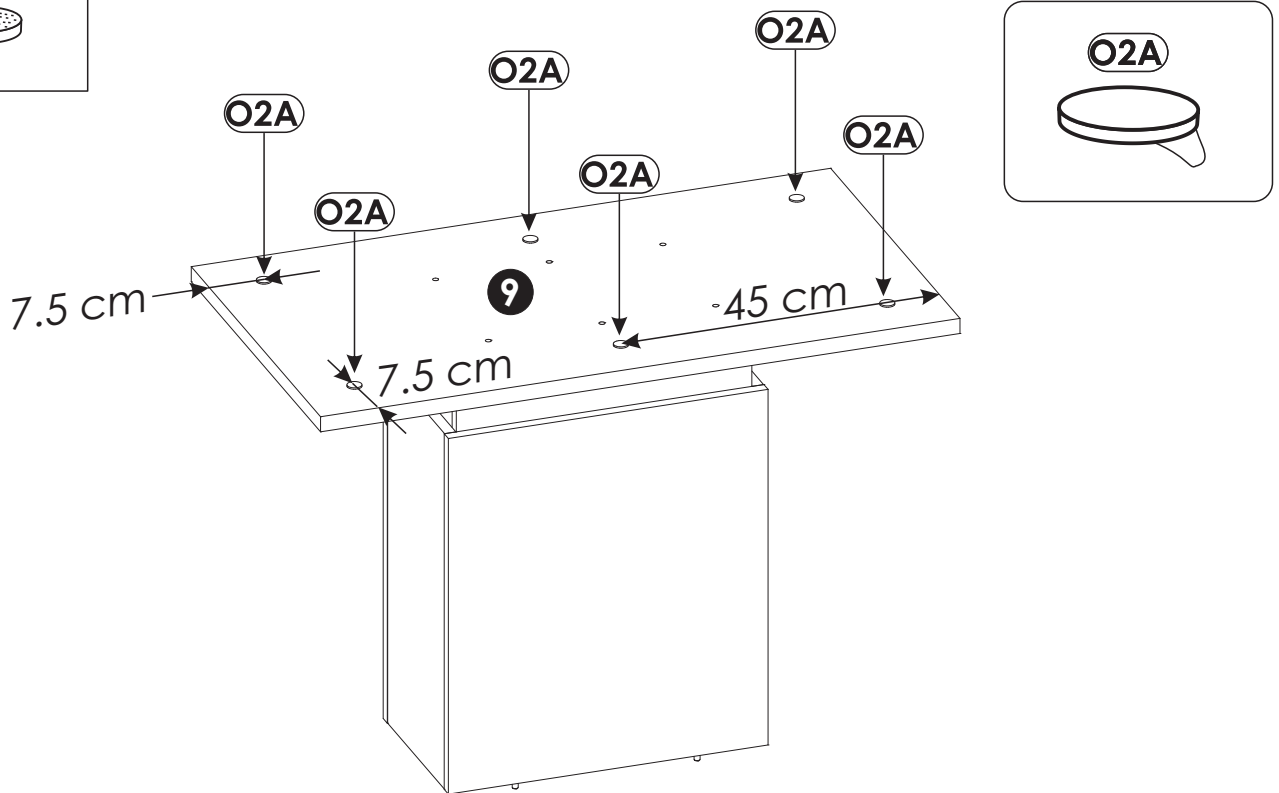
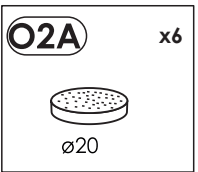
12 ▶

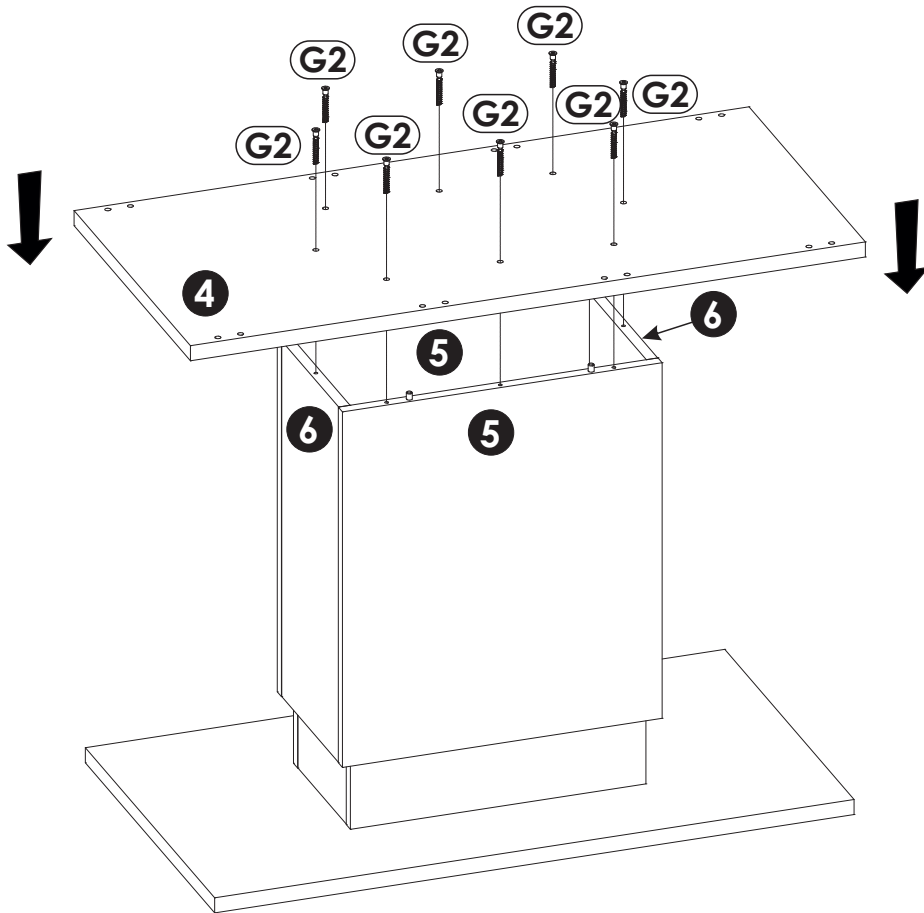
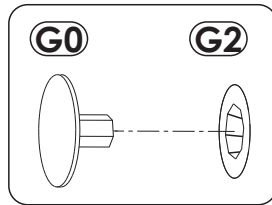
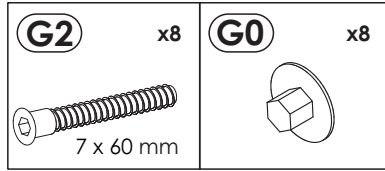


13 ▶



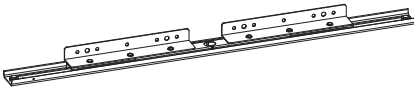



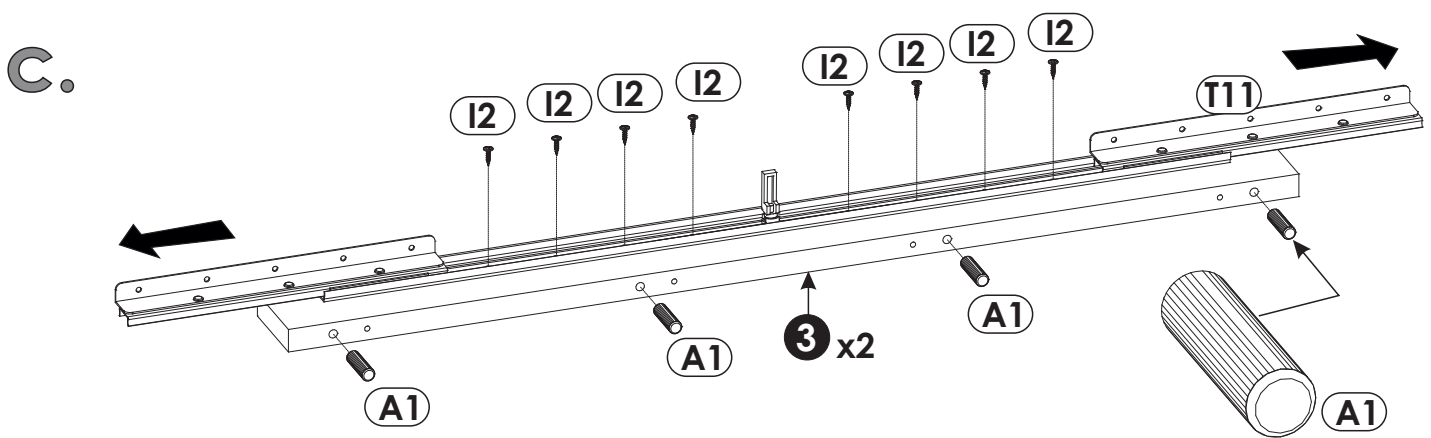
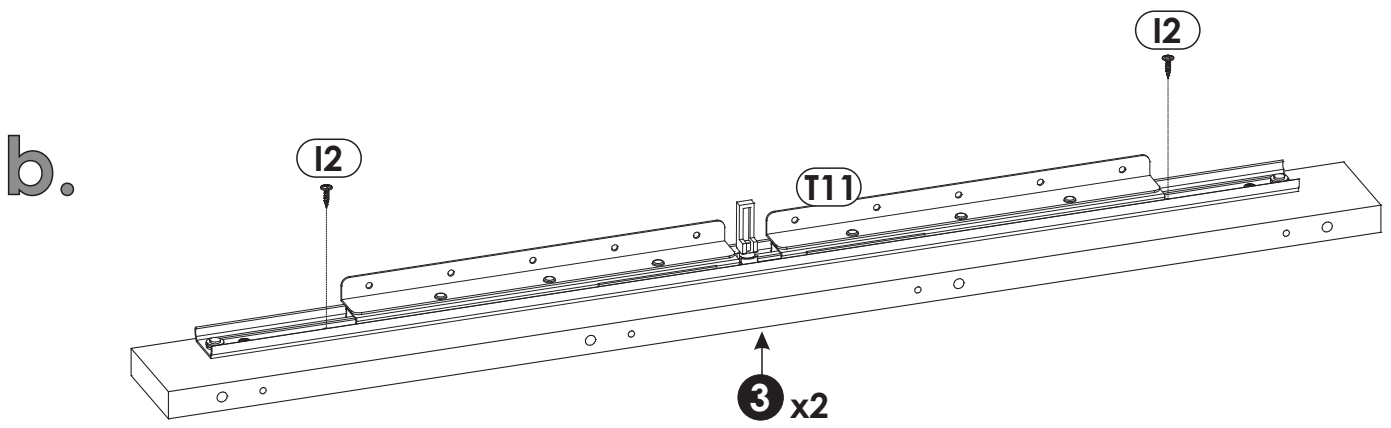
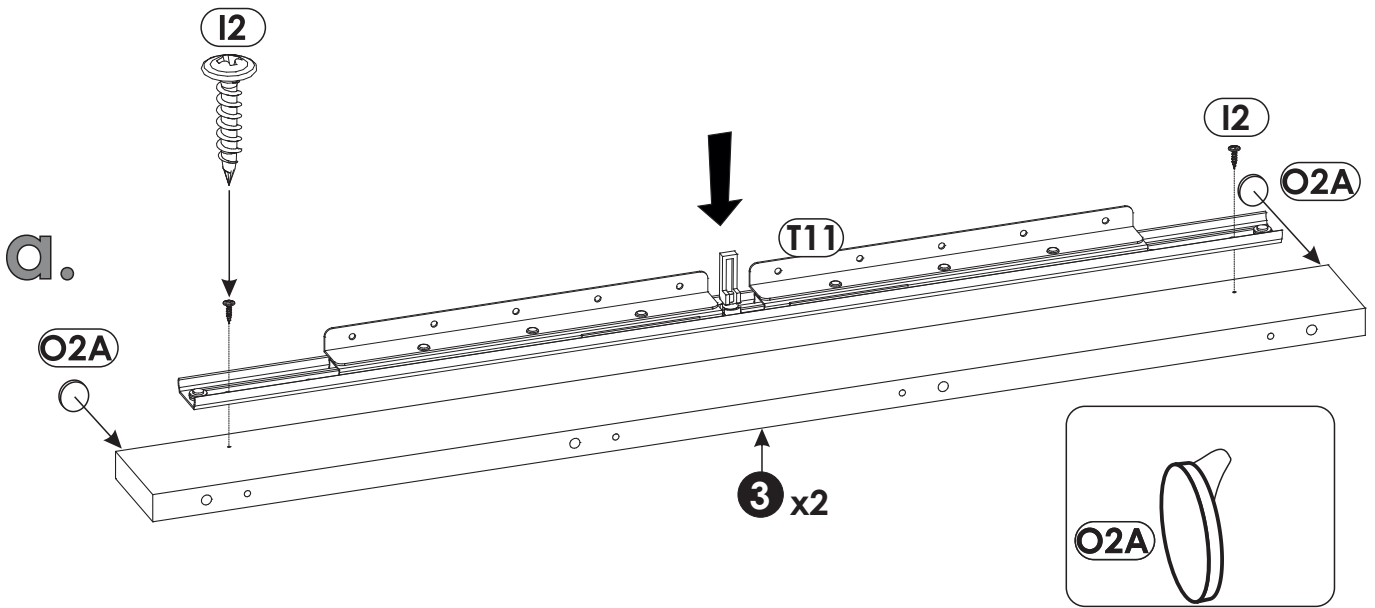
14 ▶



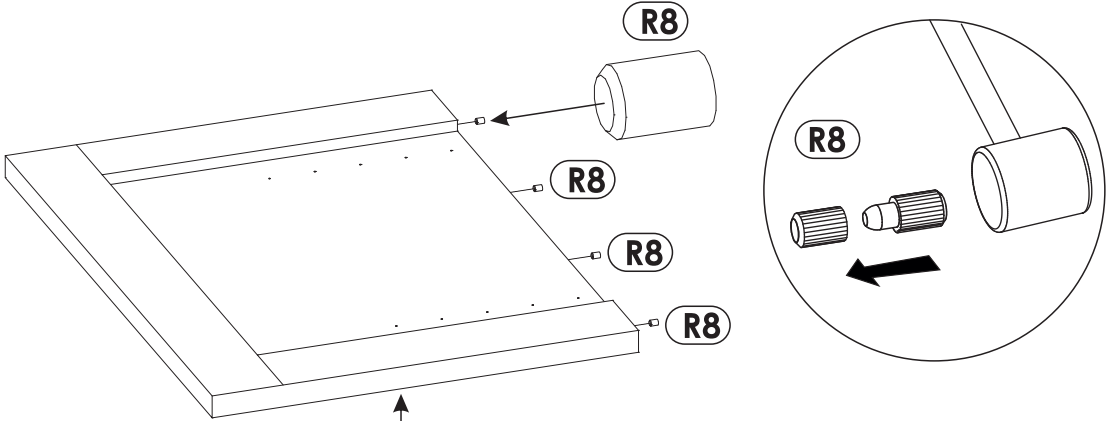
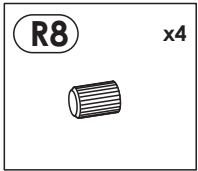


16 ▶

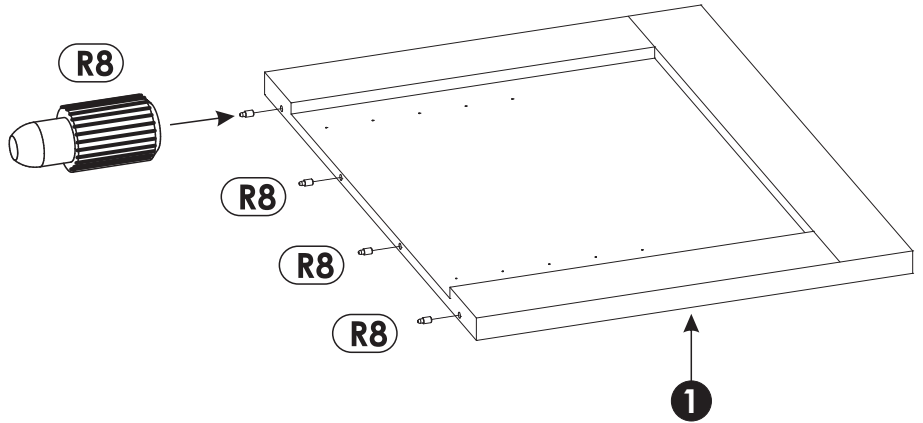
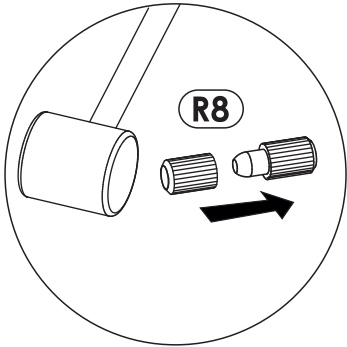
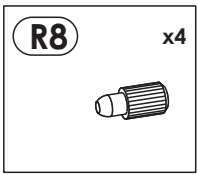
A1 x8  8 x 35 mm	I2 x24  4 x 16 mm	T11 x2 	O2A x4  ø20
--	---	---	---



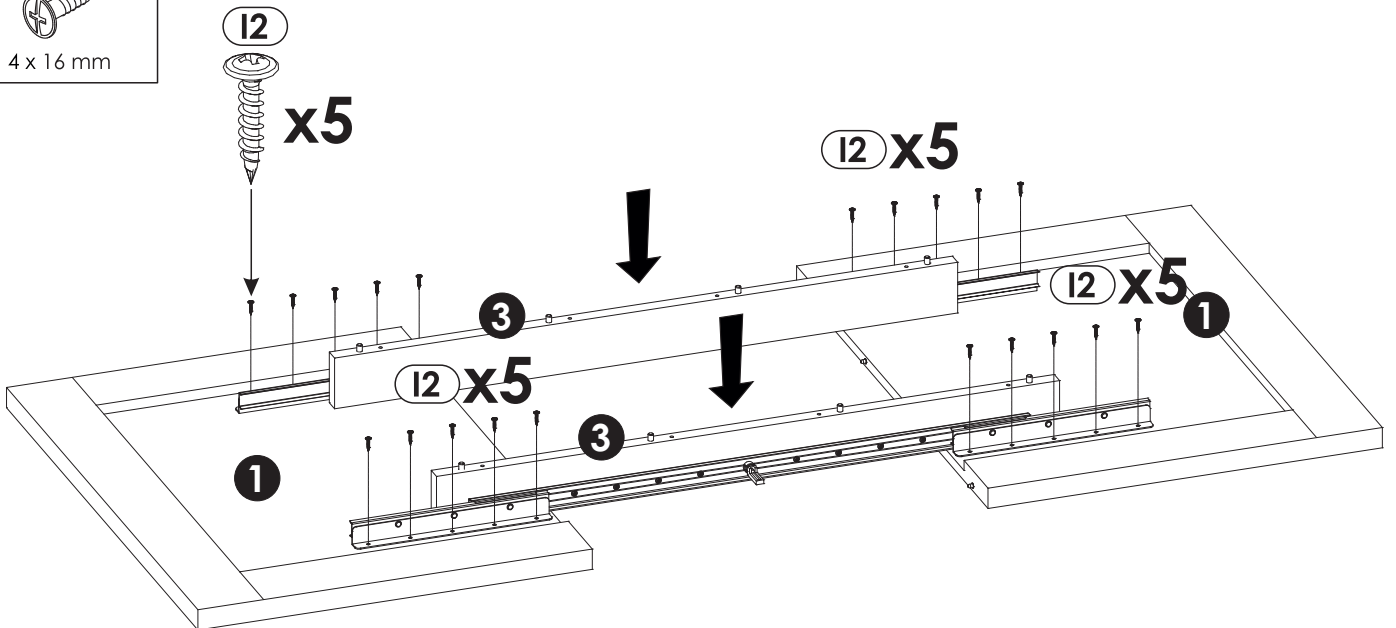
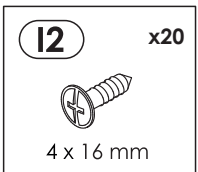
17 ▶



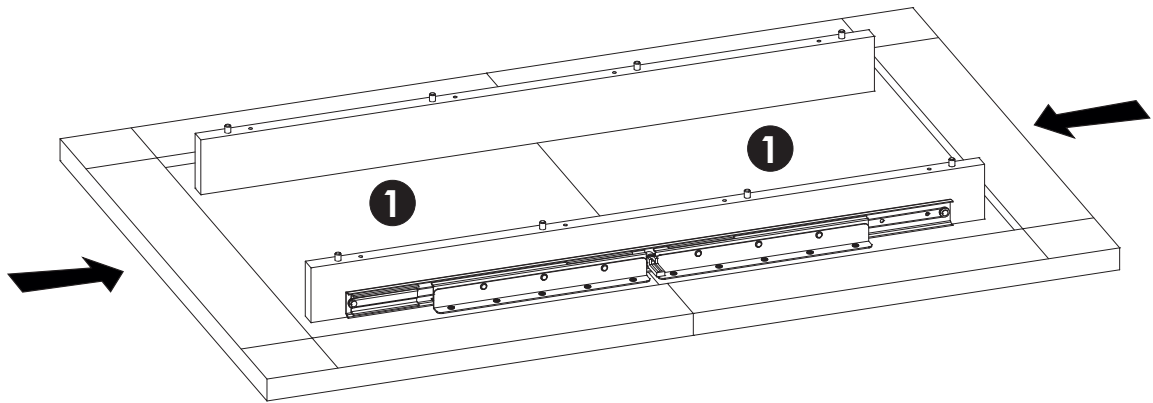
18 ▶



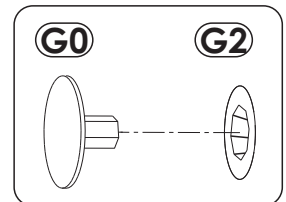
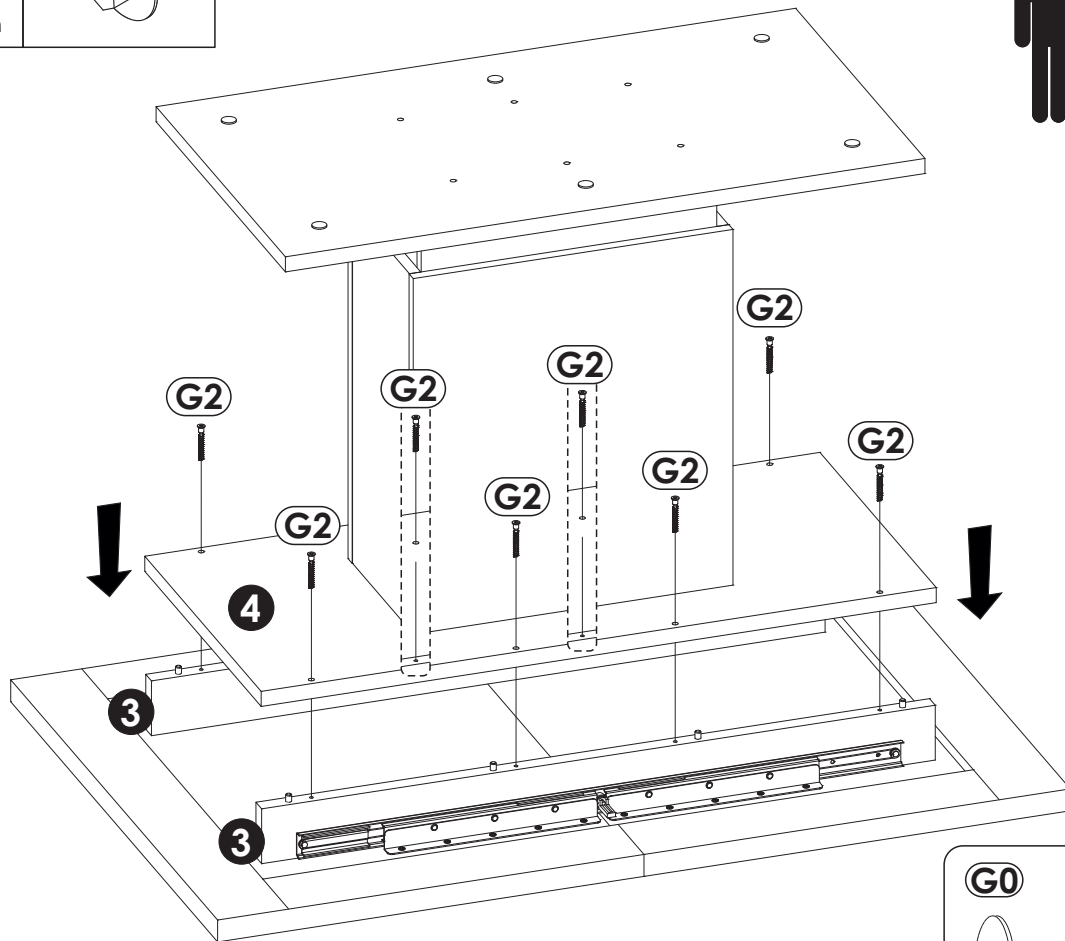
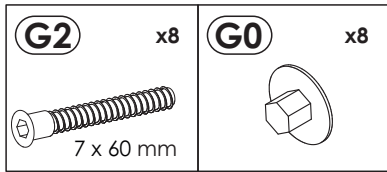
19 ▶



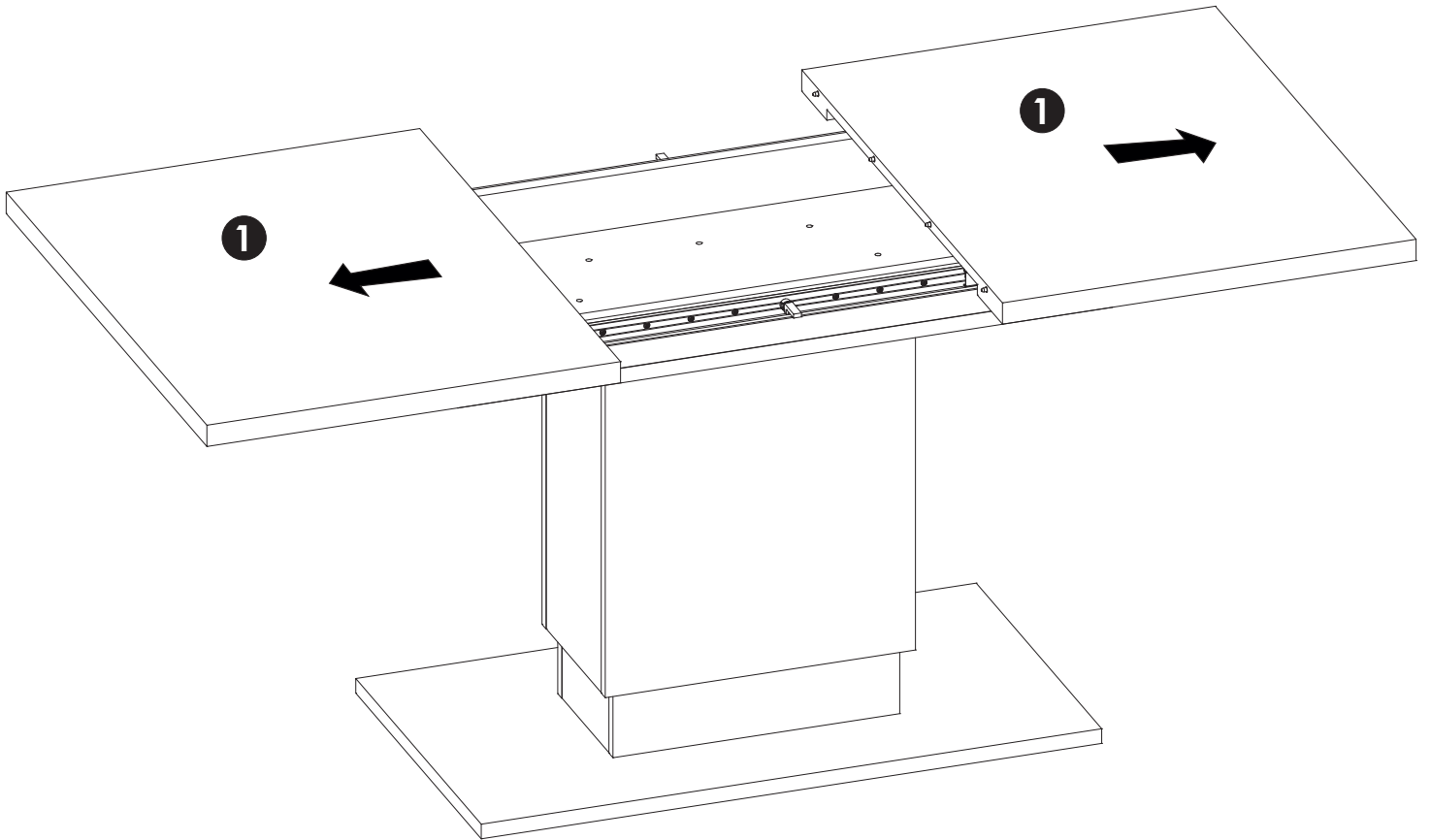
20 ▶



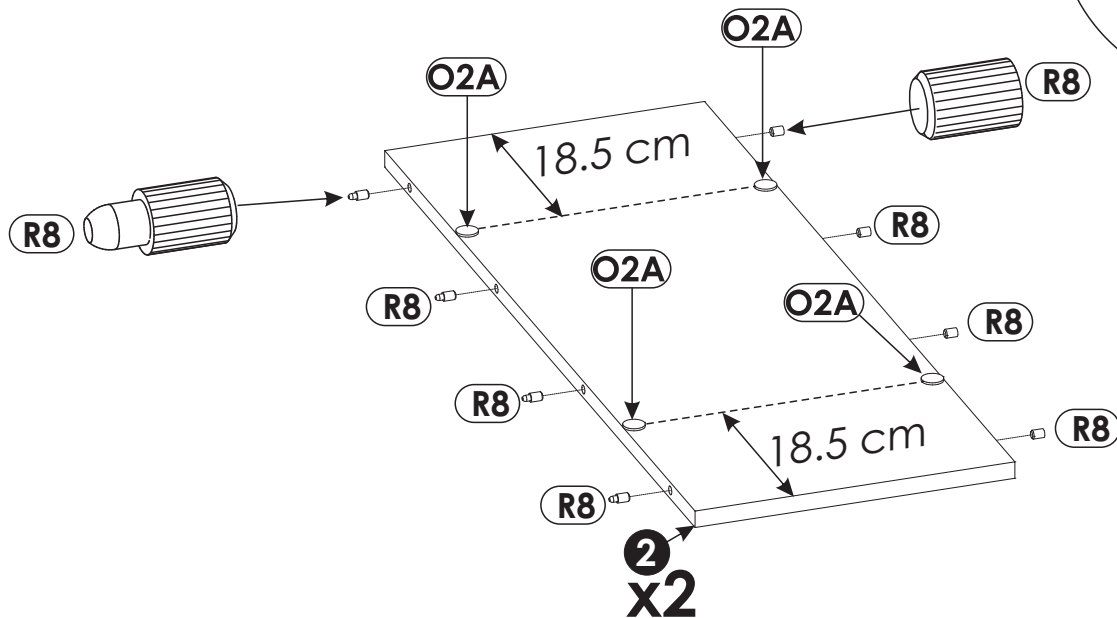
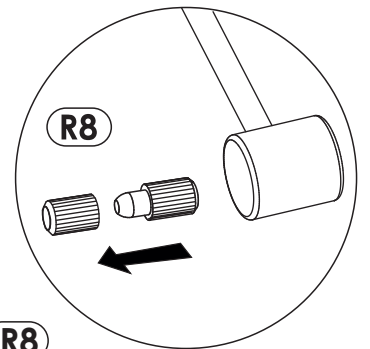
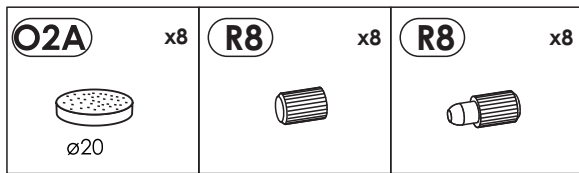
21 ▶



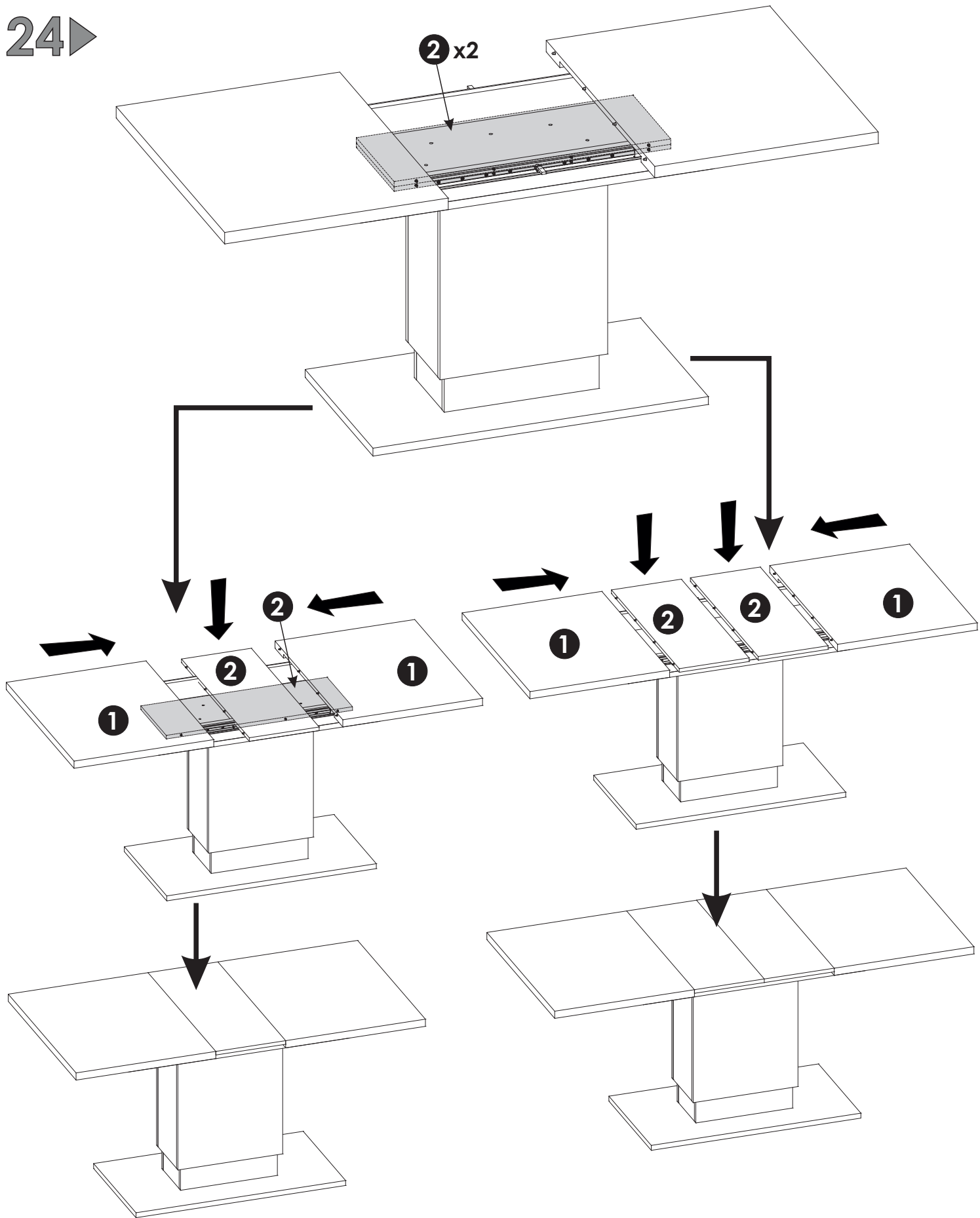
22 ▶



23 ▶



24 ▶



25▶

