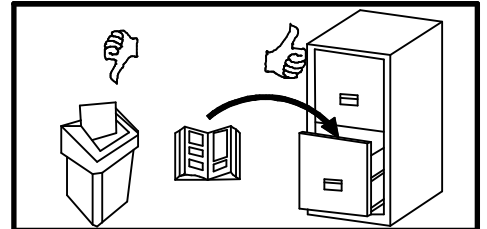
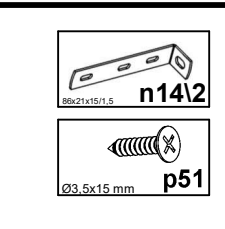
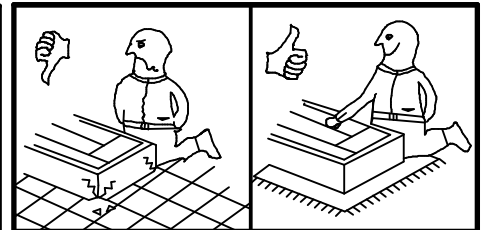
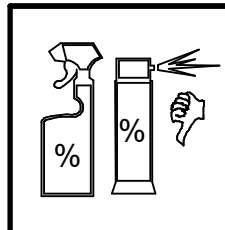
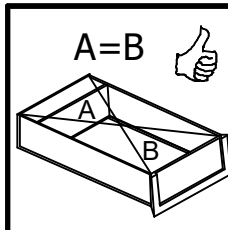
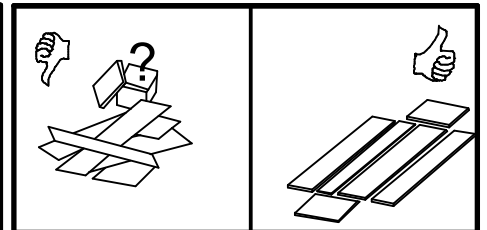
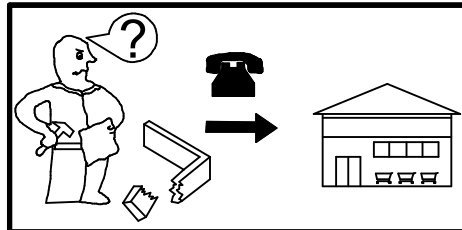
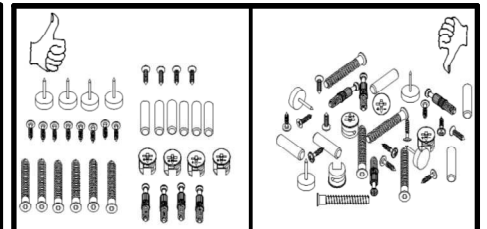
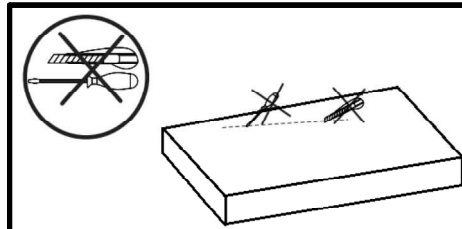
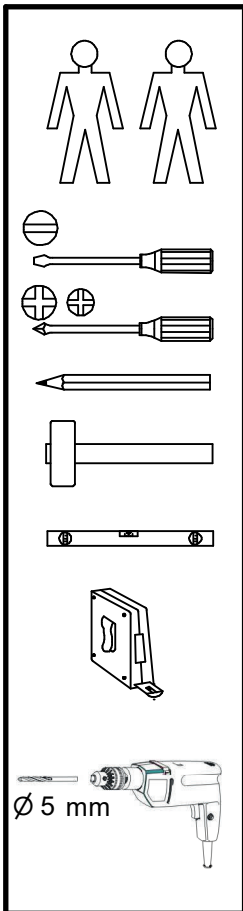
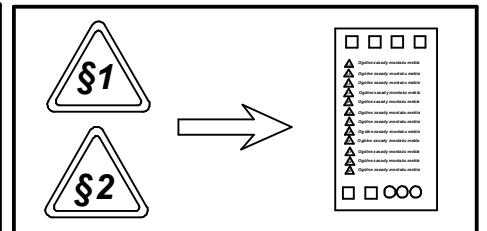
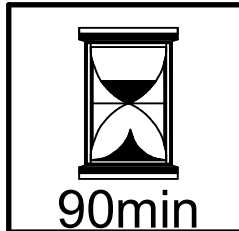
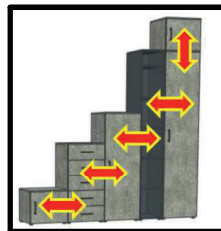
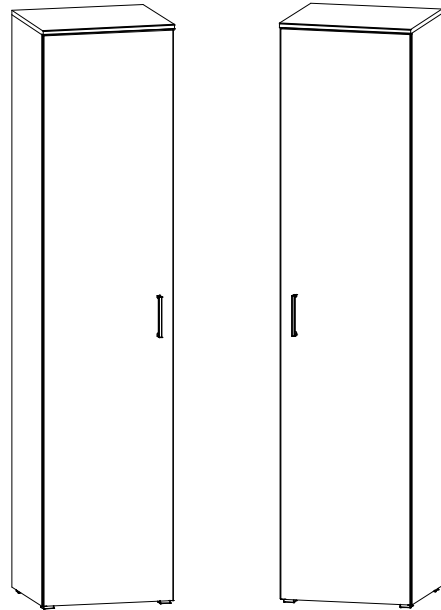
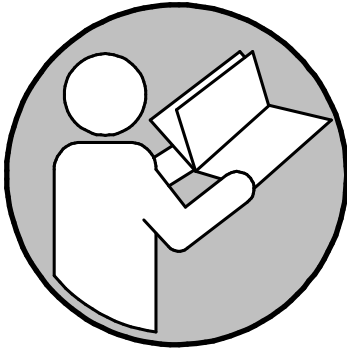
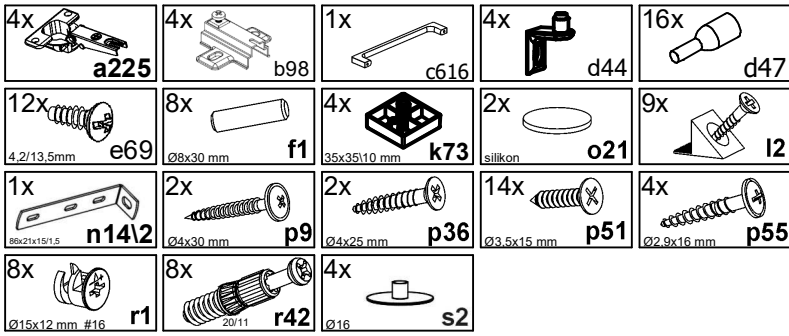
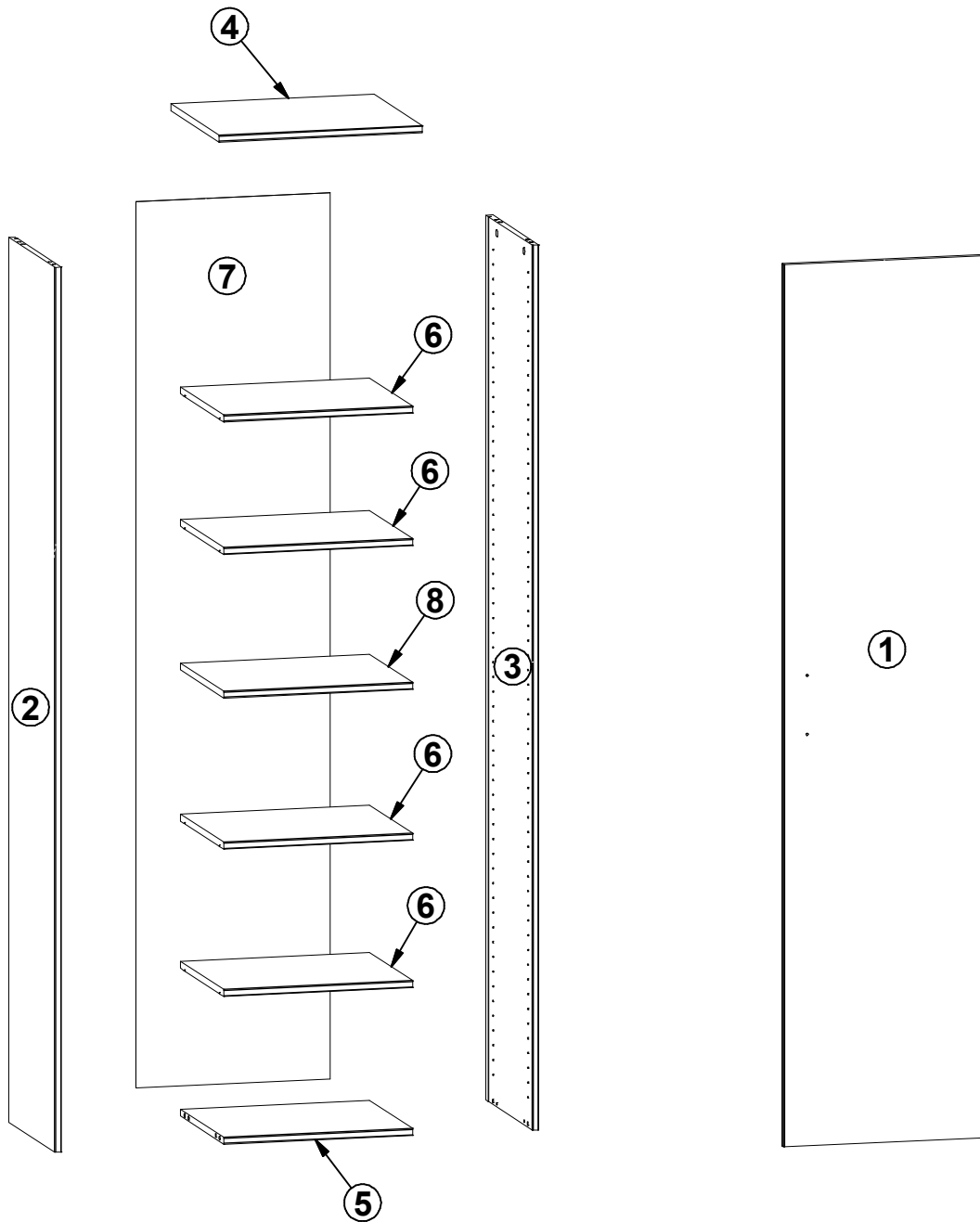


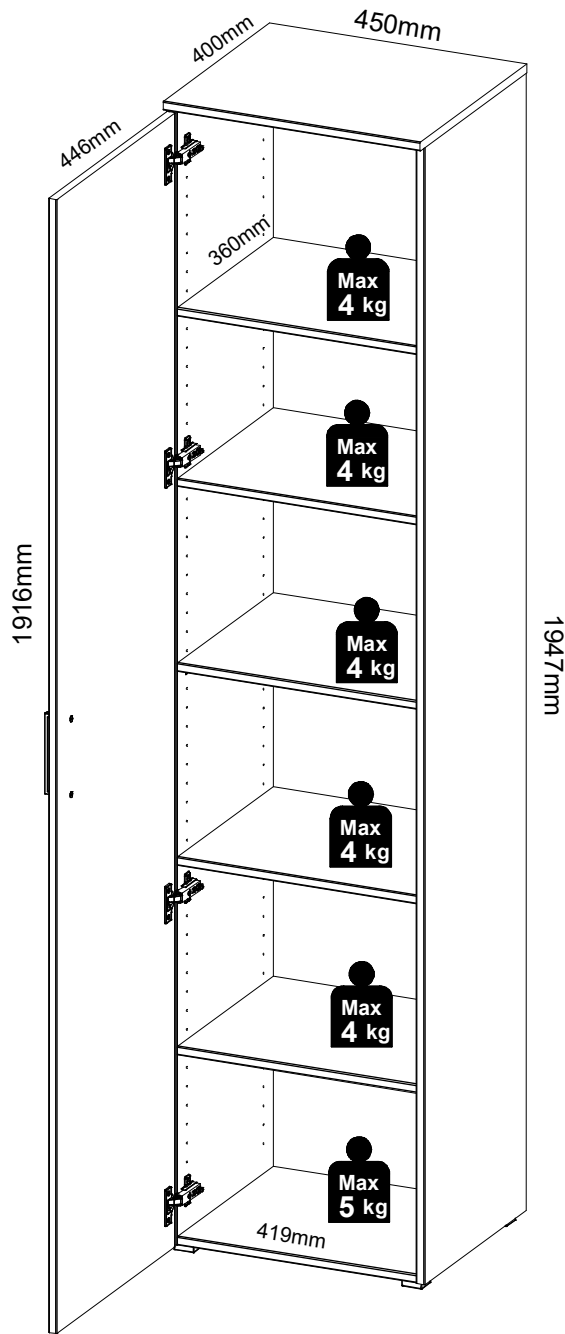
134502150...  
2427019.../20  
2427020.../20  
5107419  
5107421  
5107420  
5107116

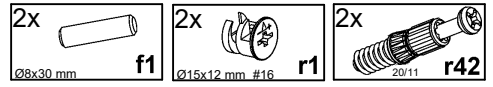




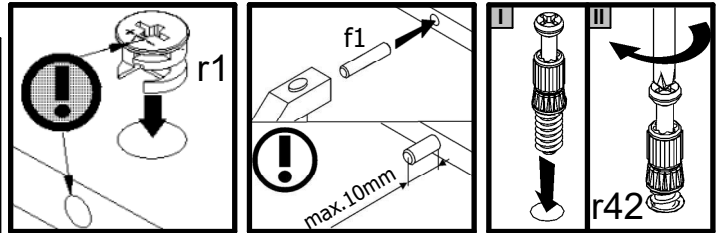
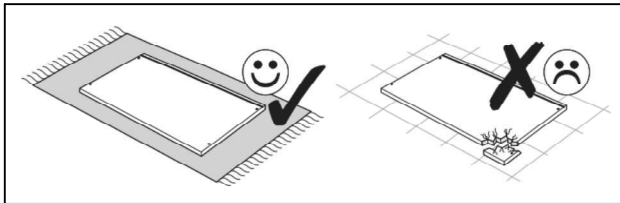
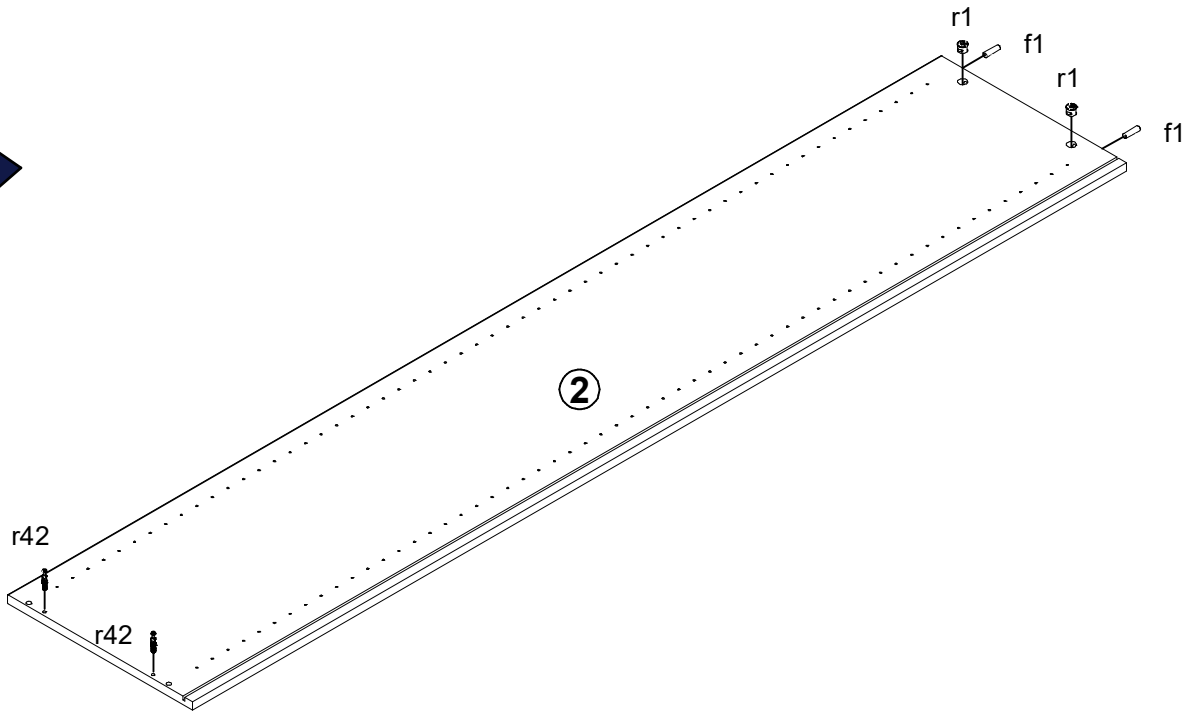
A	B1	B2	C1	C2	C3	D
1	S588-0002	-2	1916	446	15	1/2
2	S588-1001	-3	1922	382	15	1/2
3	S588-1002	-4	1922	382	15	1/2
4	S588-2002	-3	450	400	15	2/2
5	S588-3003	-2	419	360	15	2/2
6	S588-3004	-2	419	360	15	2/2
7	S588-9002	-1	1925	429	2,5	1/2
8	S588-3035	-1	419	360	15	2/2



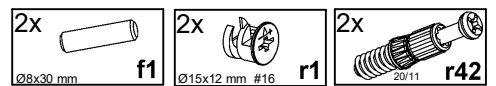
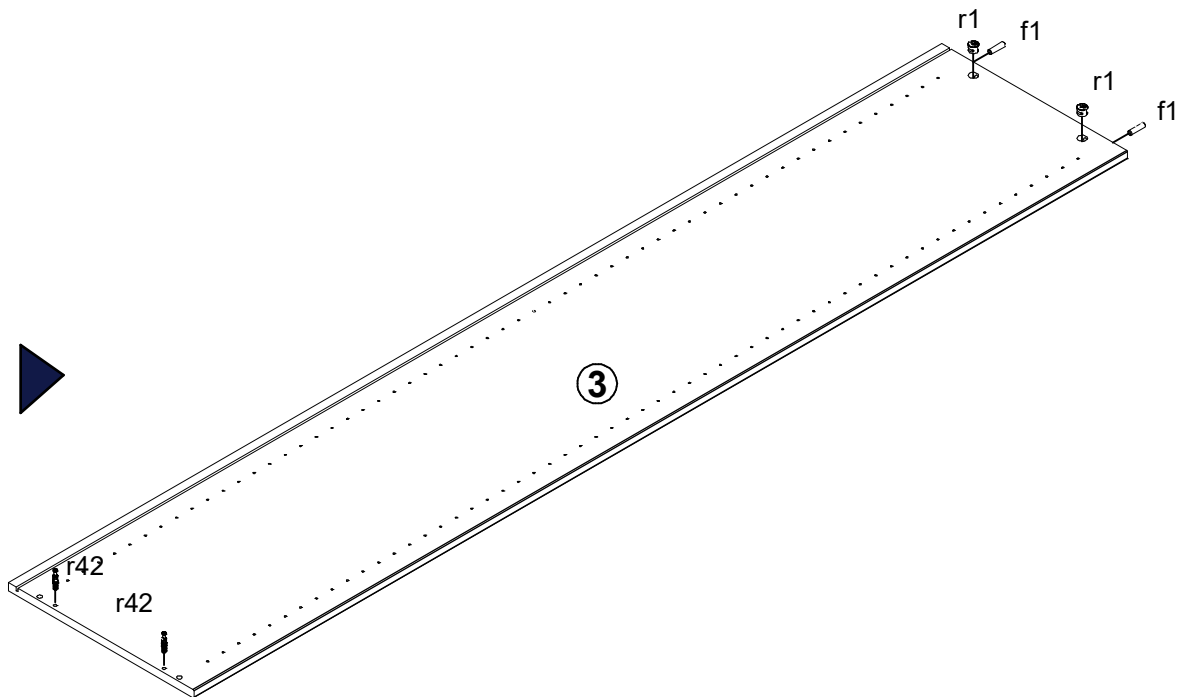


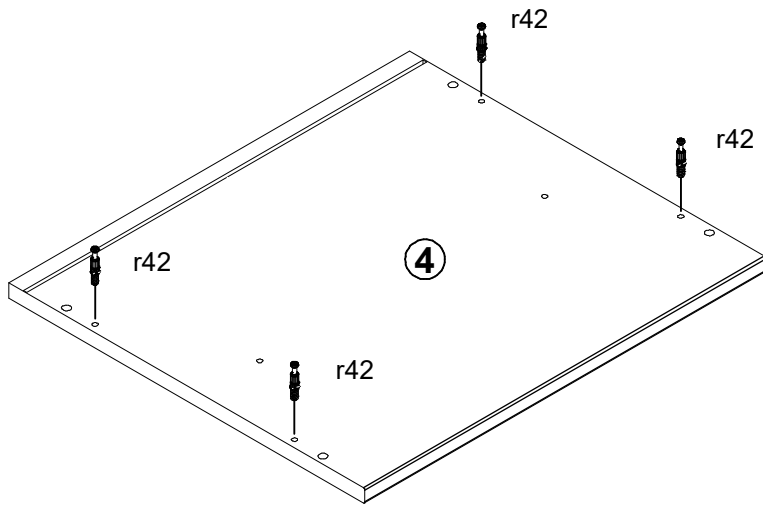
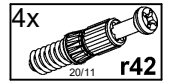


1 ▶

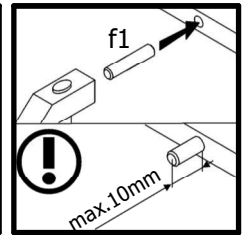
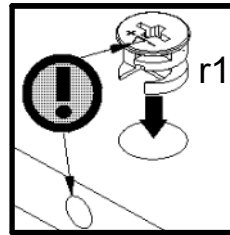
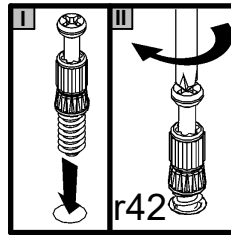
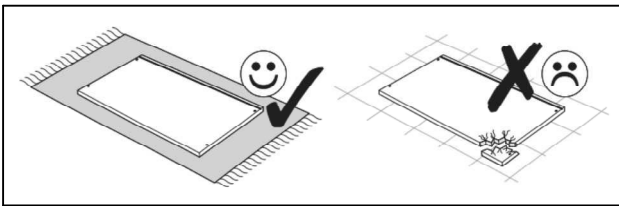


2 ▶

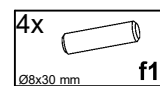
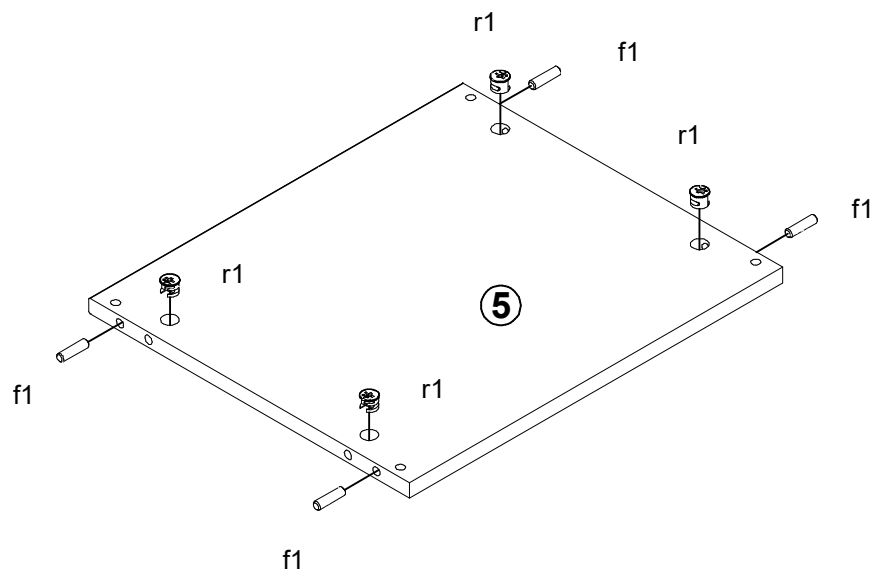


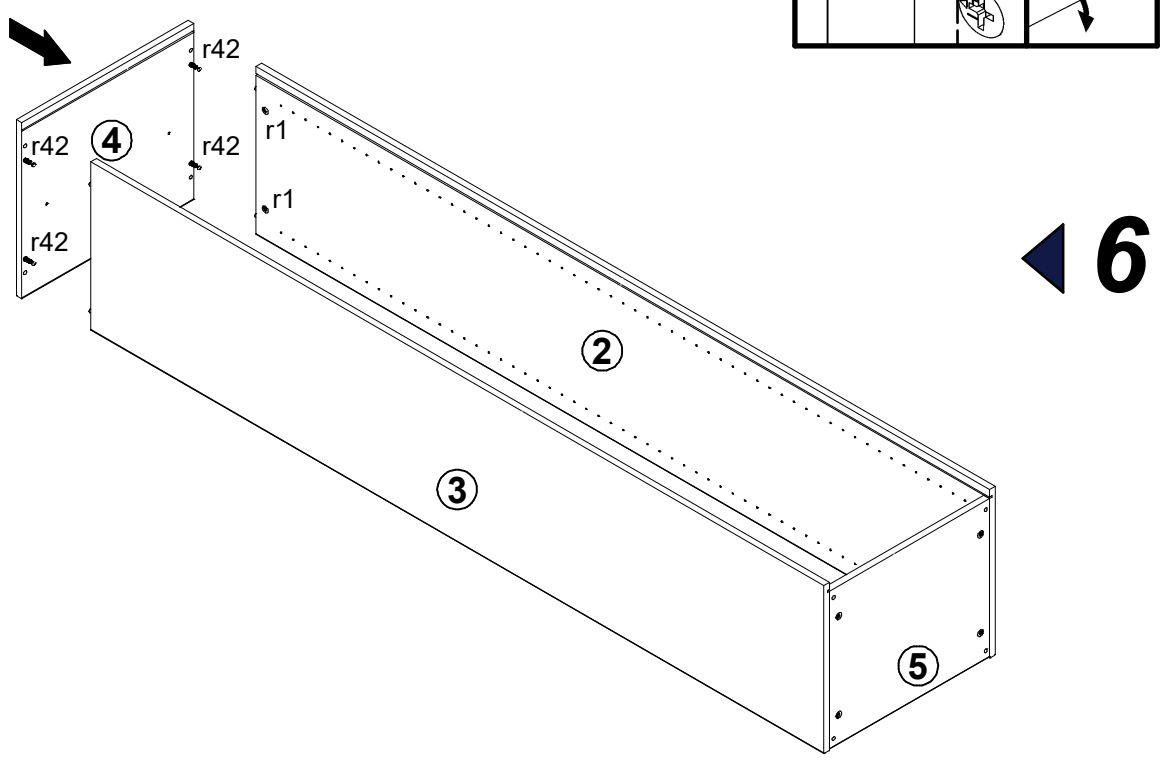
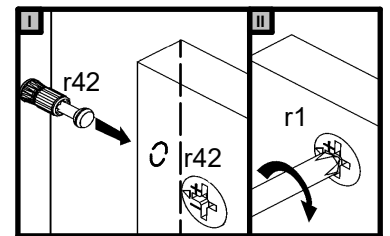
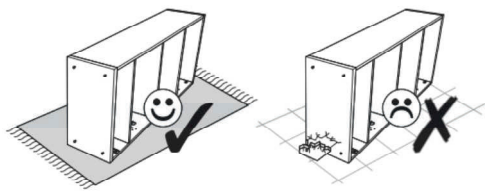
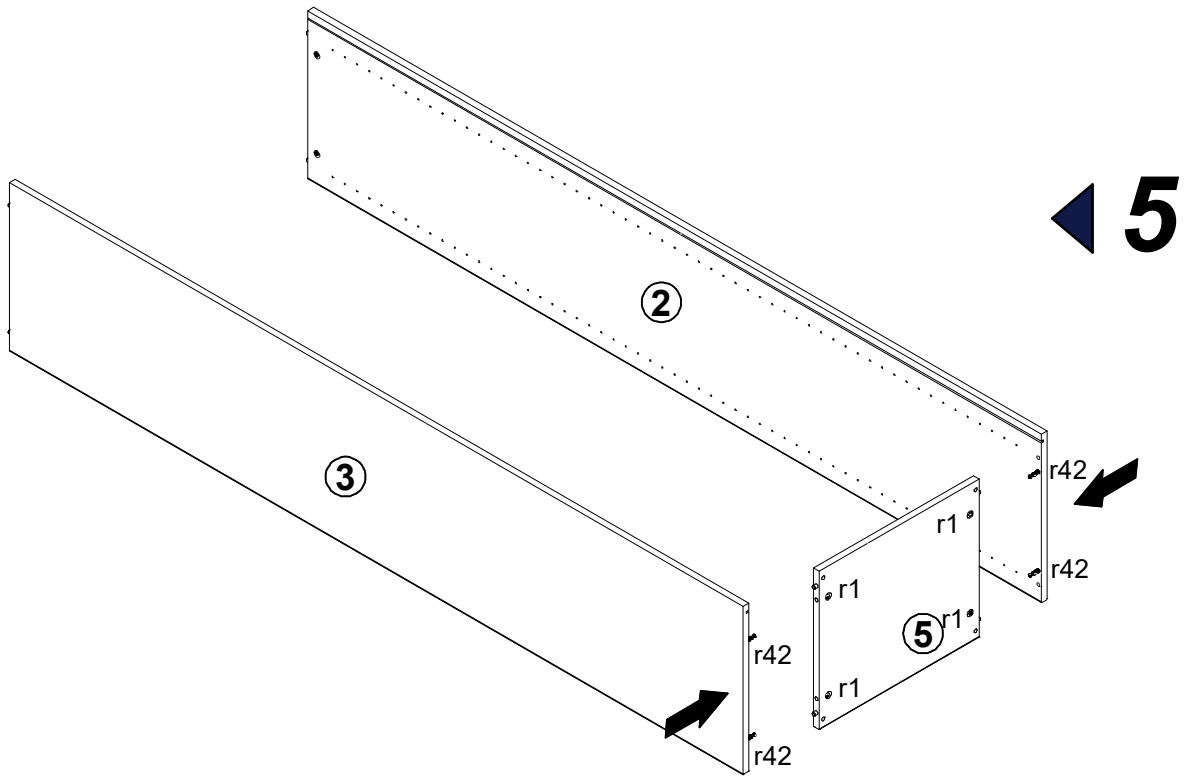


3

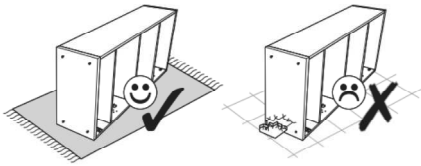
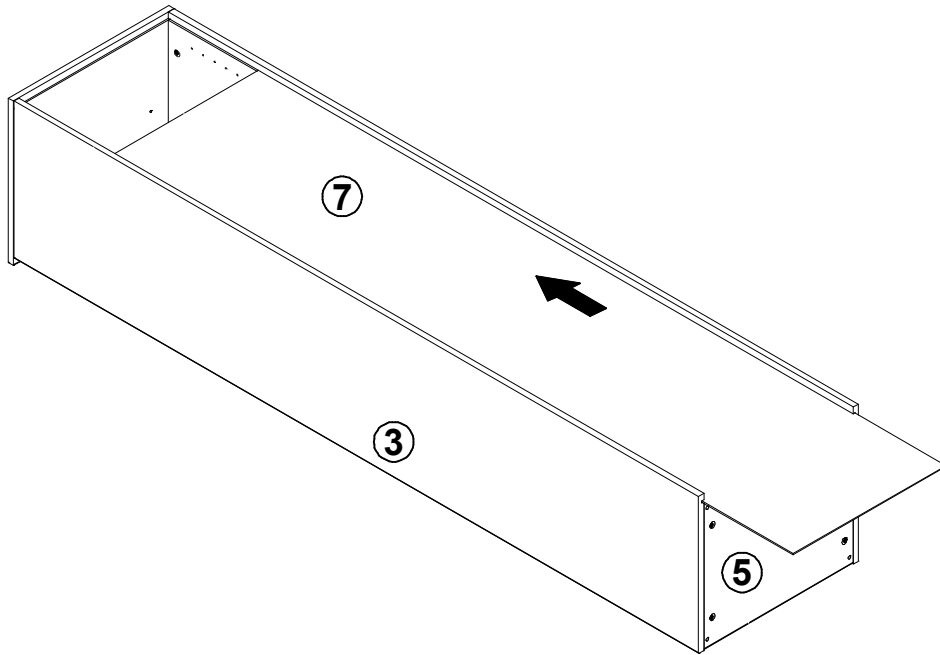


4

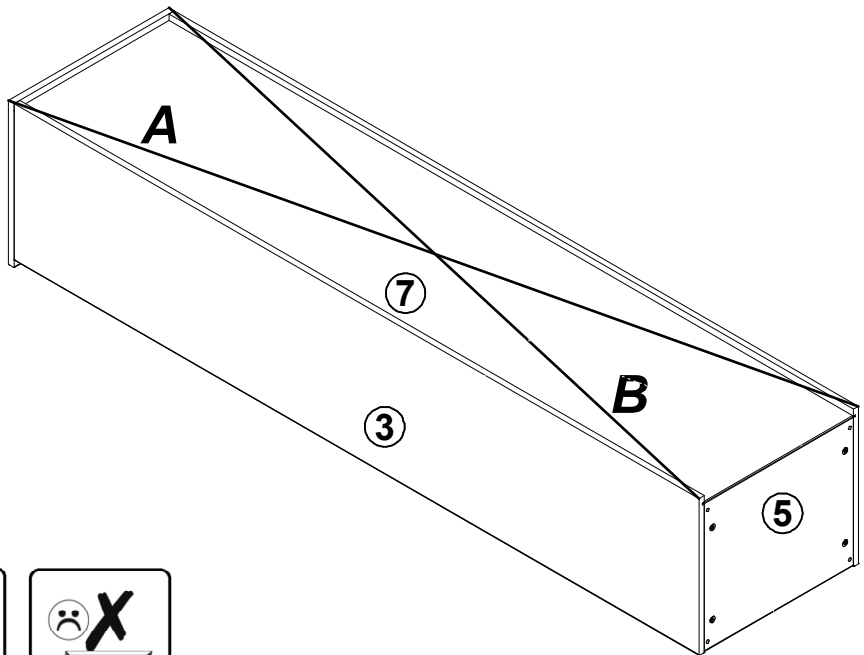




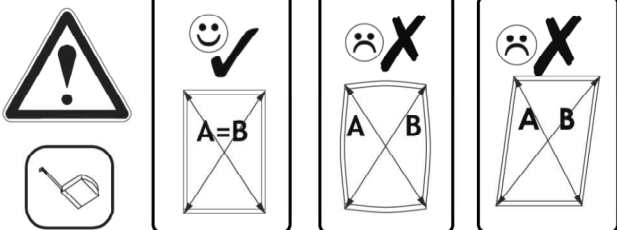
7

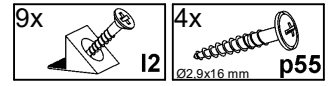


8

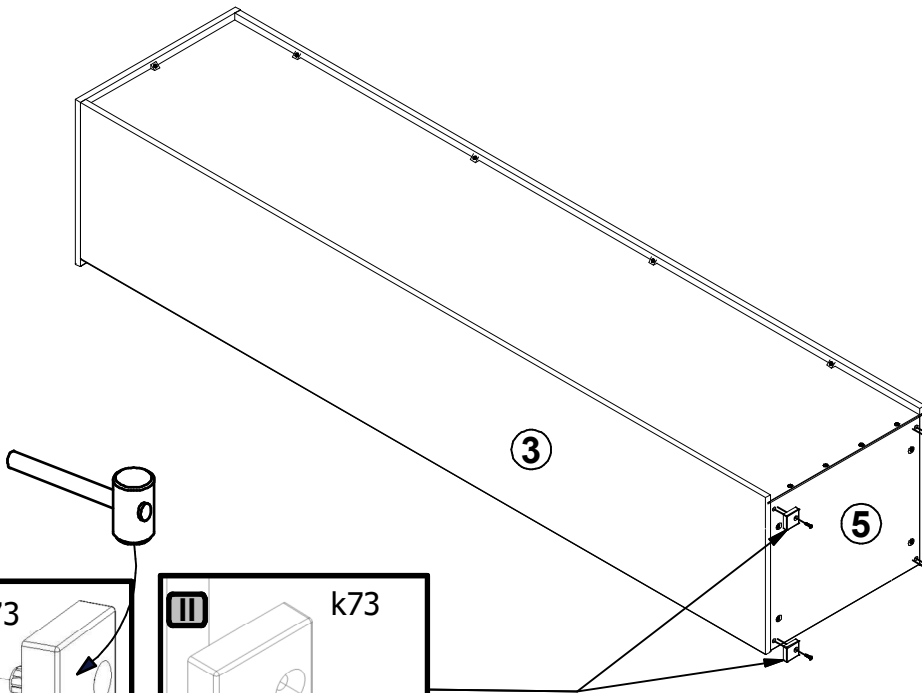
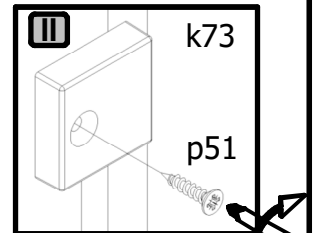
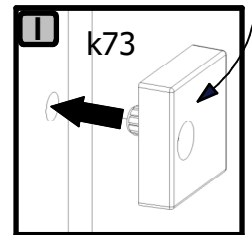
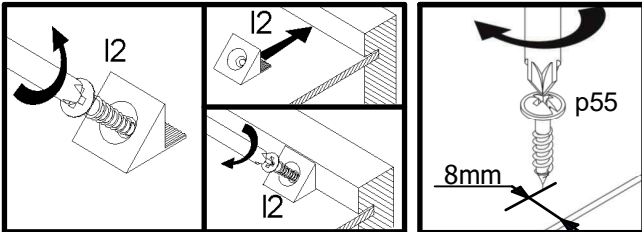
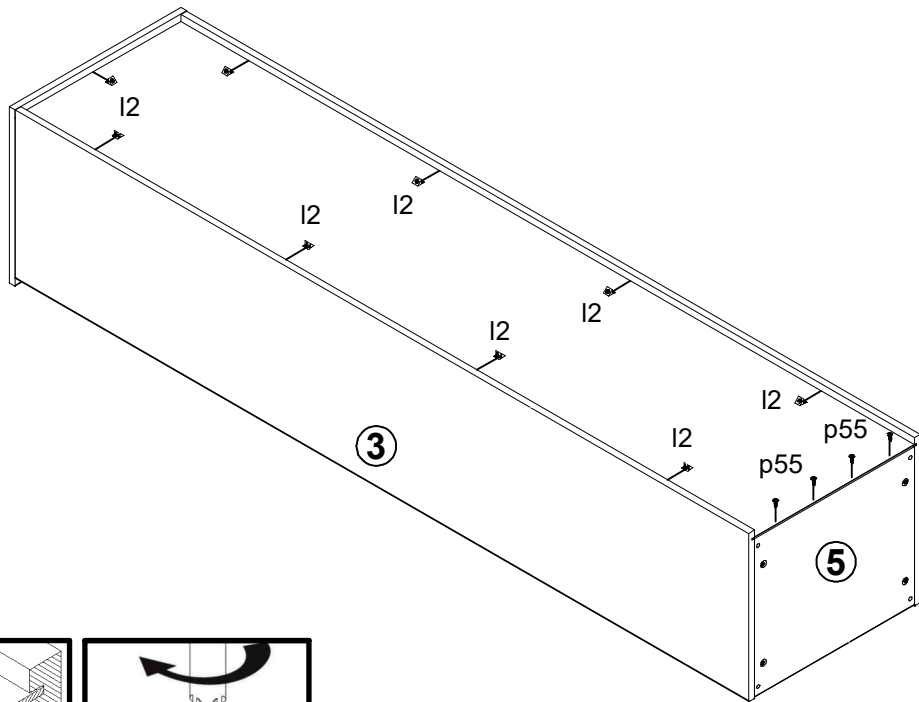


⚠  
A=B

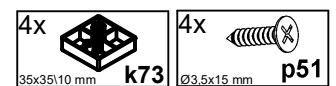
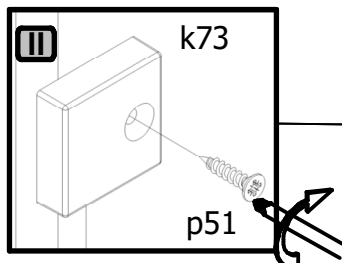
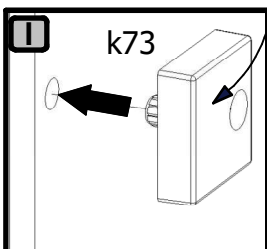




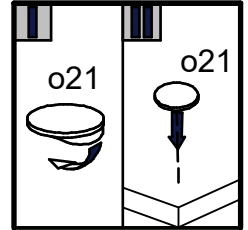
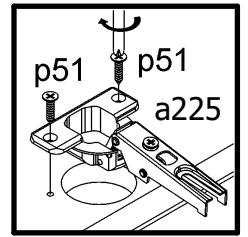
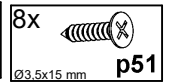
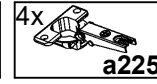
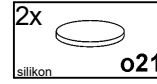
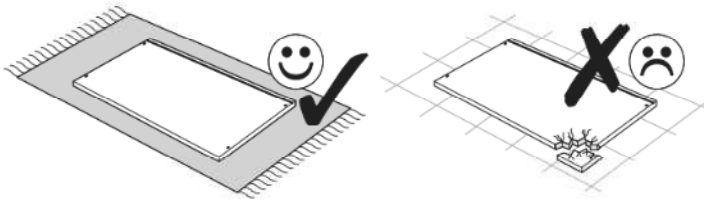
9 ▶



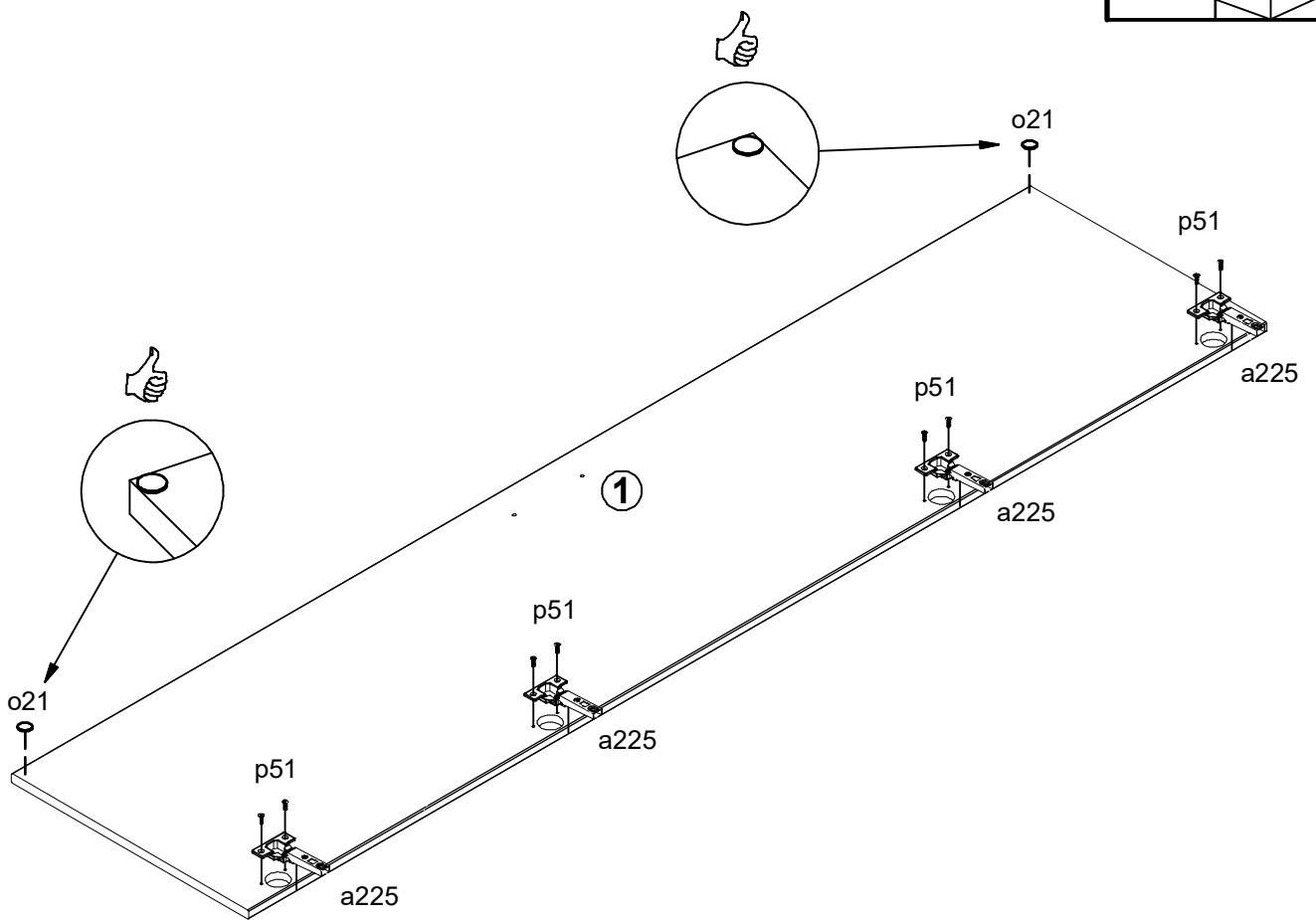
▶ 10

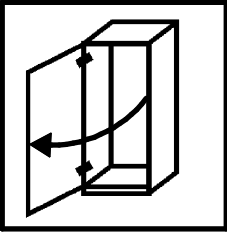






11



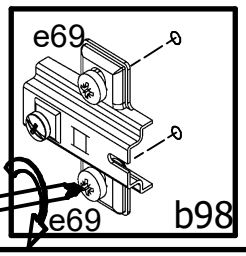
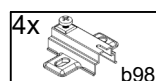
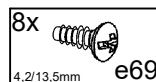
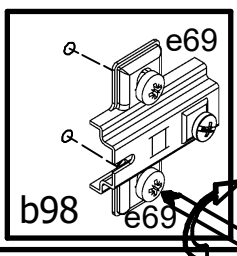
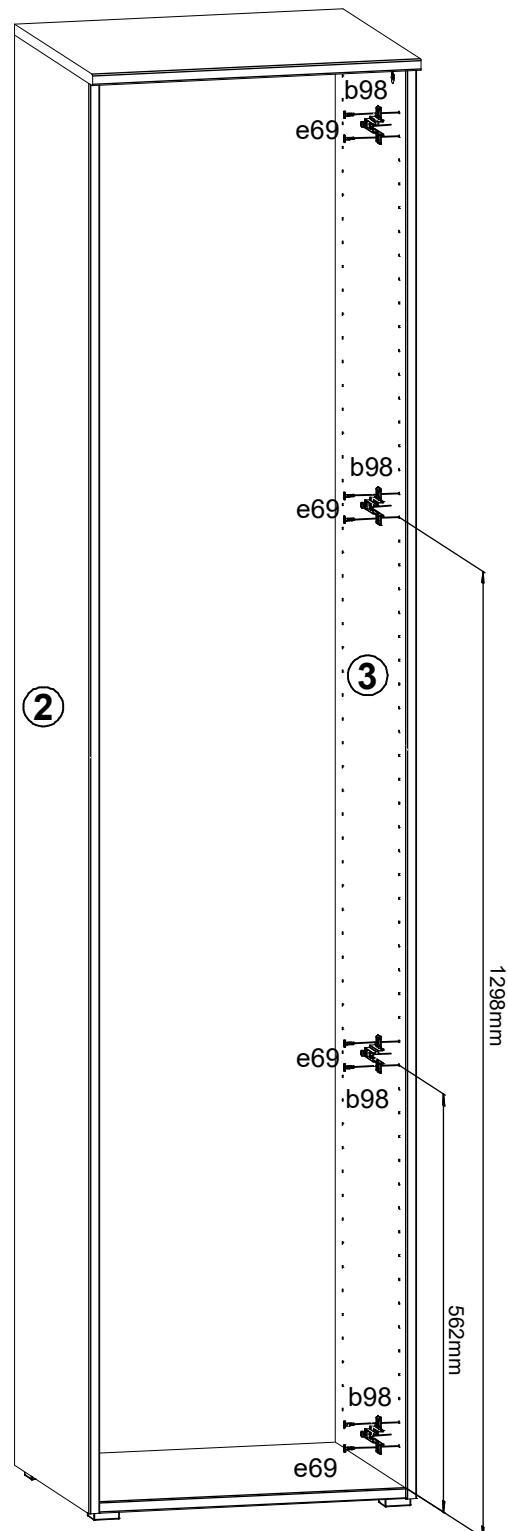
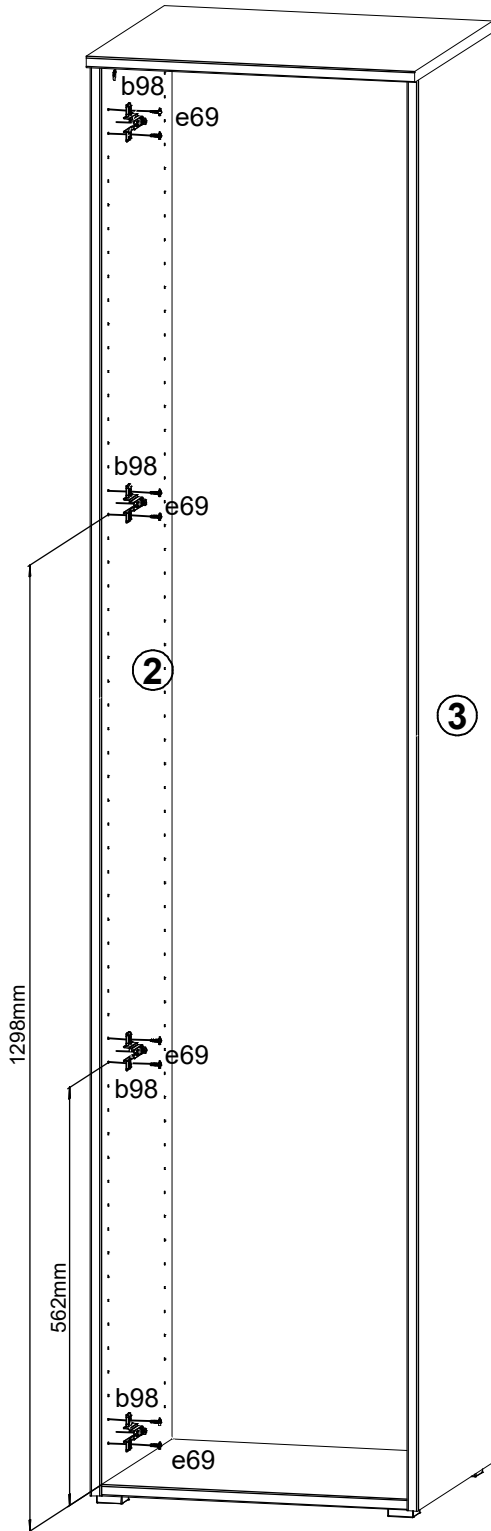
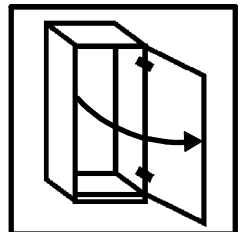


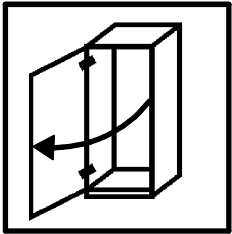
L

12



R

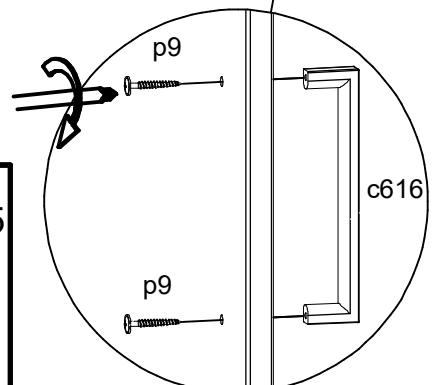
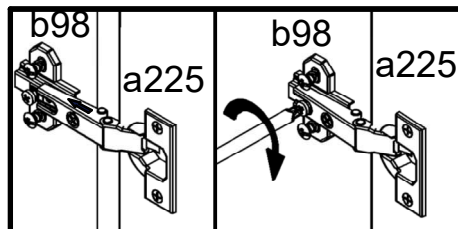
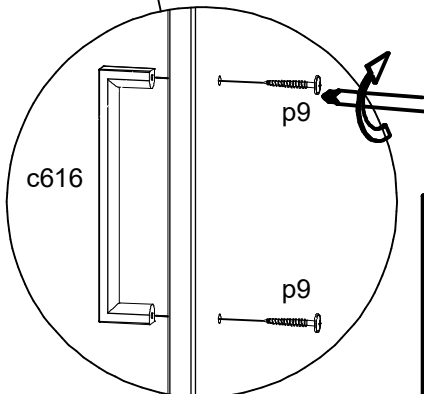
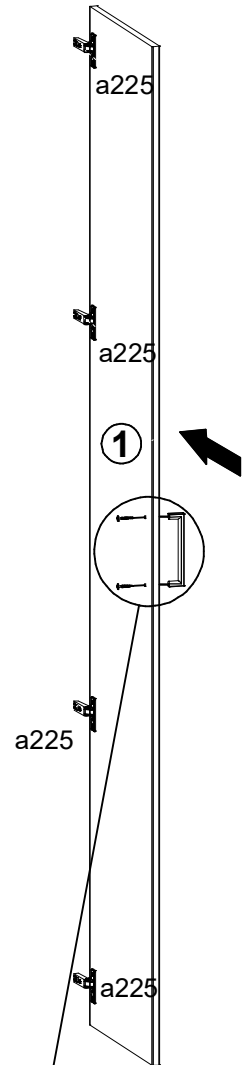
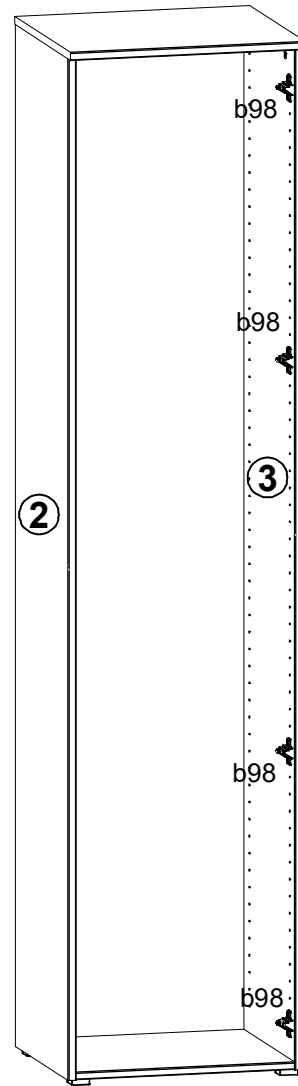
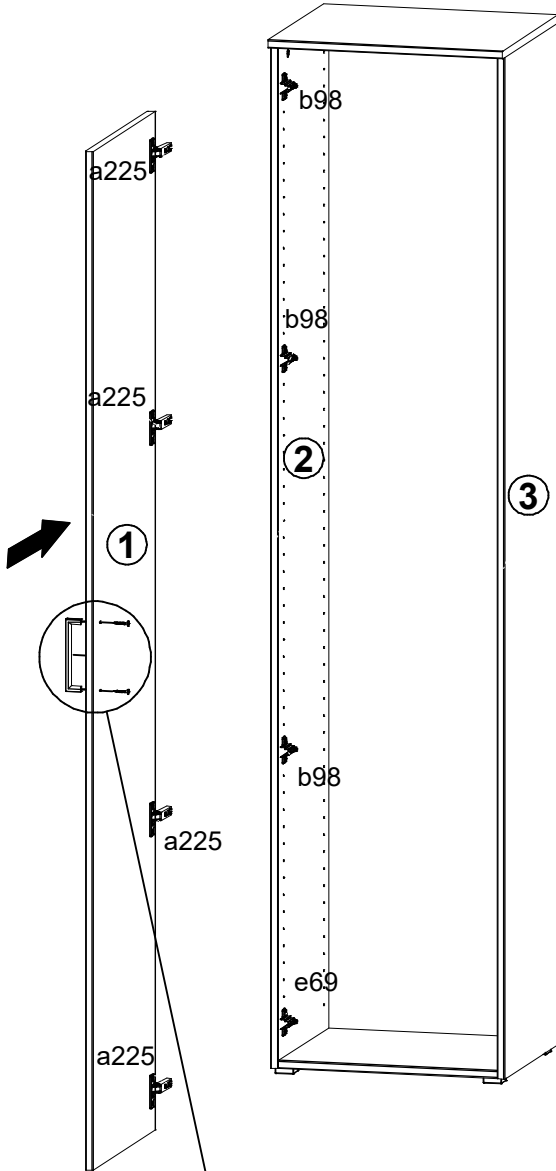
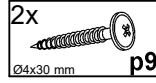
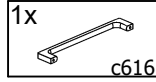
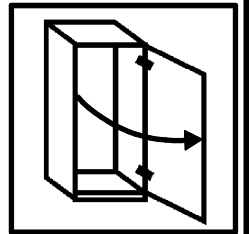


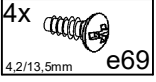
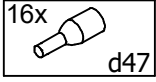
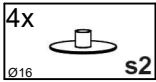


L

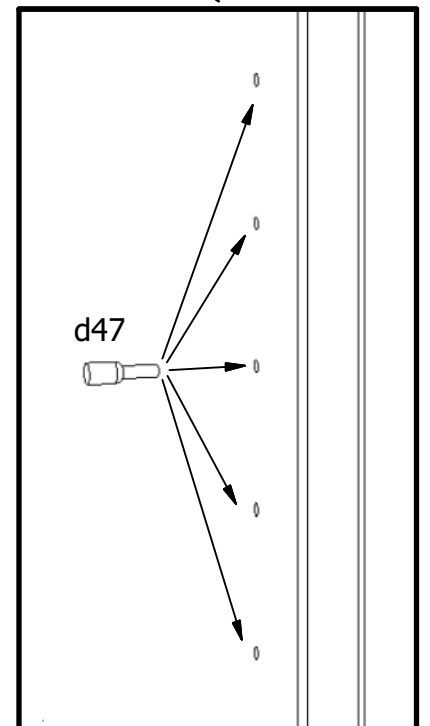
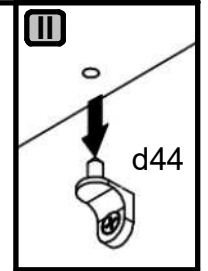
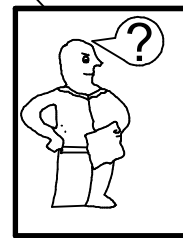
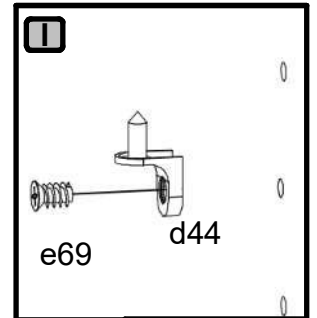
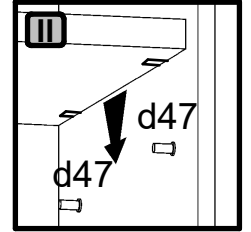
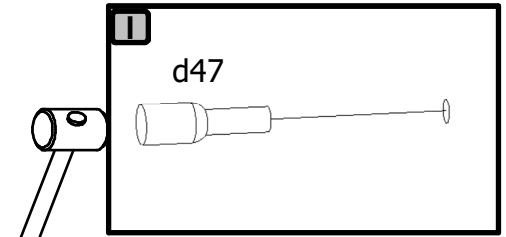
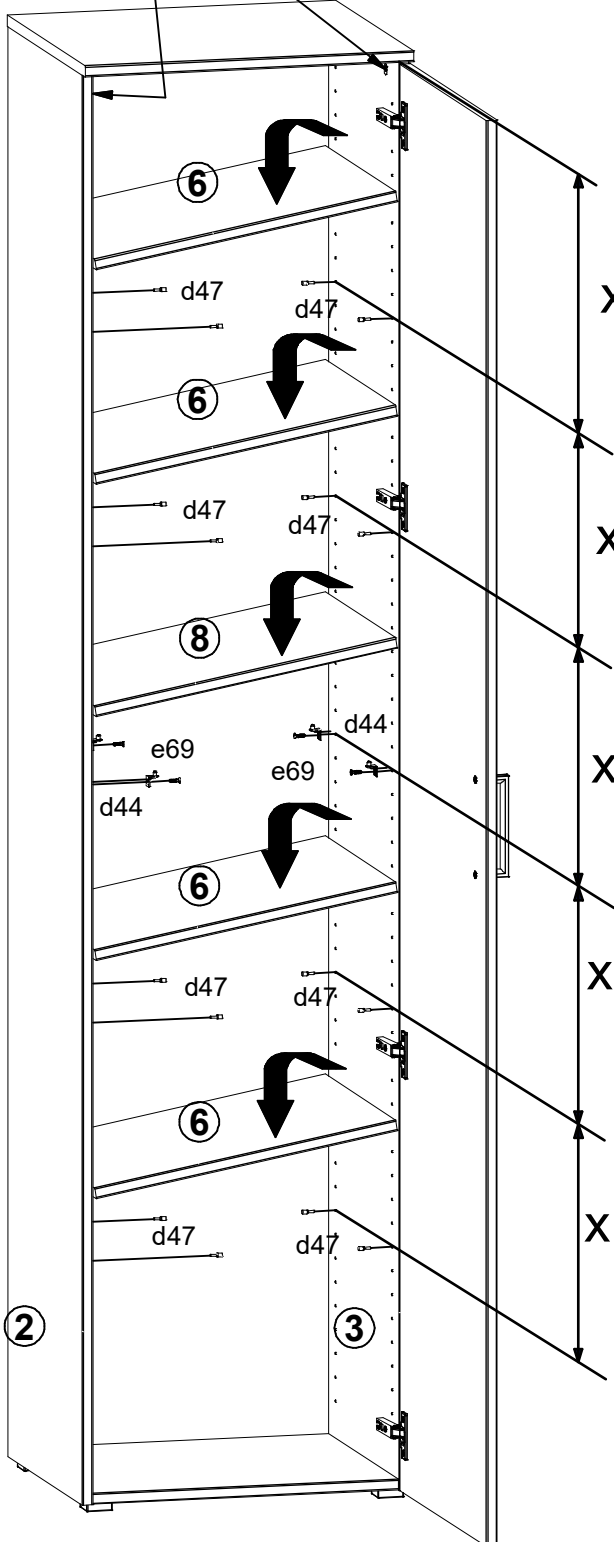
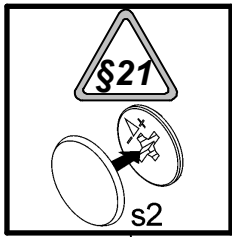
13

R





# 14



15

