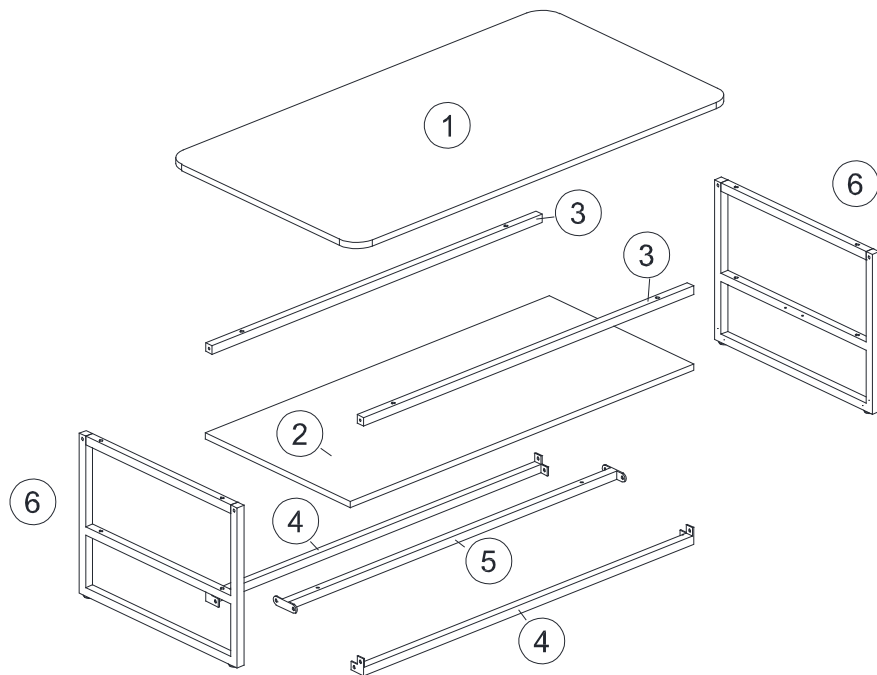
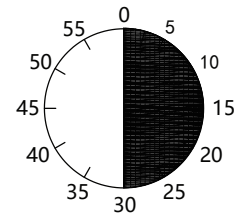
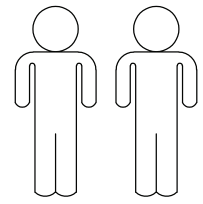
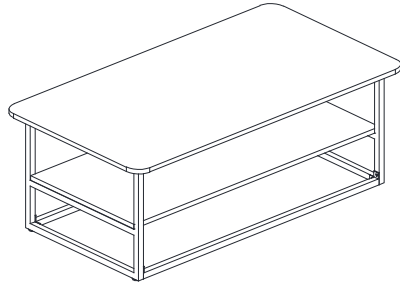
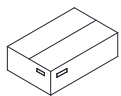







# 5107479/00




1	1x
2	1x
3	2x
4	2x
5	1x
6	2x

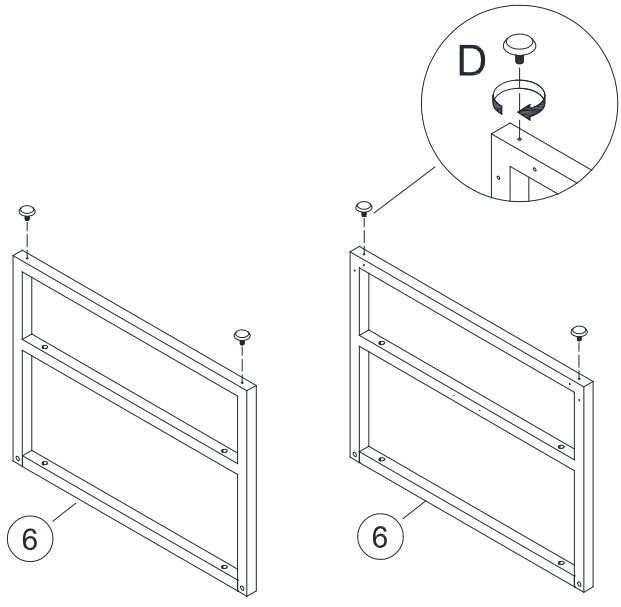


1/1





<b>A</b>	M6x12mm	<b>B</b>	M6x30mm	<b>C</b>	M6x40mm	<b>D</b>	Ø22xM6	<b>E</b>	4mm
	12x		14x		4x		4x		1x

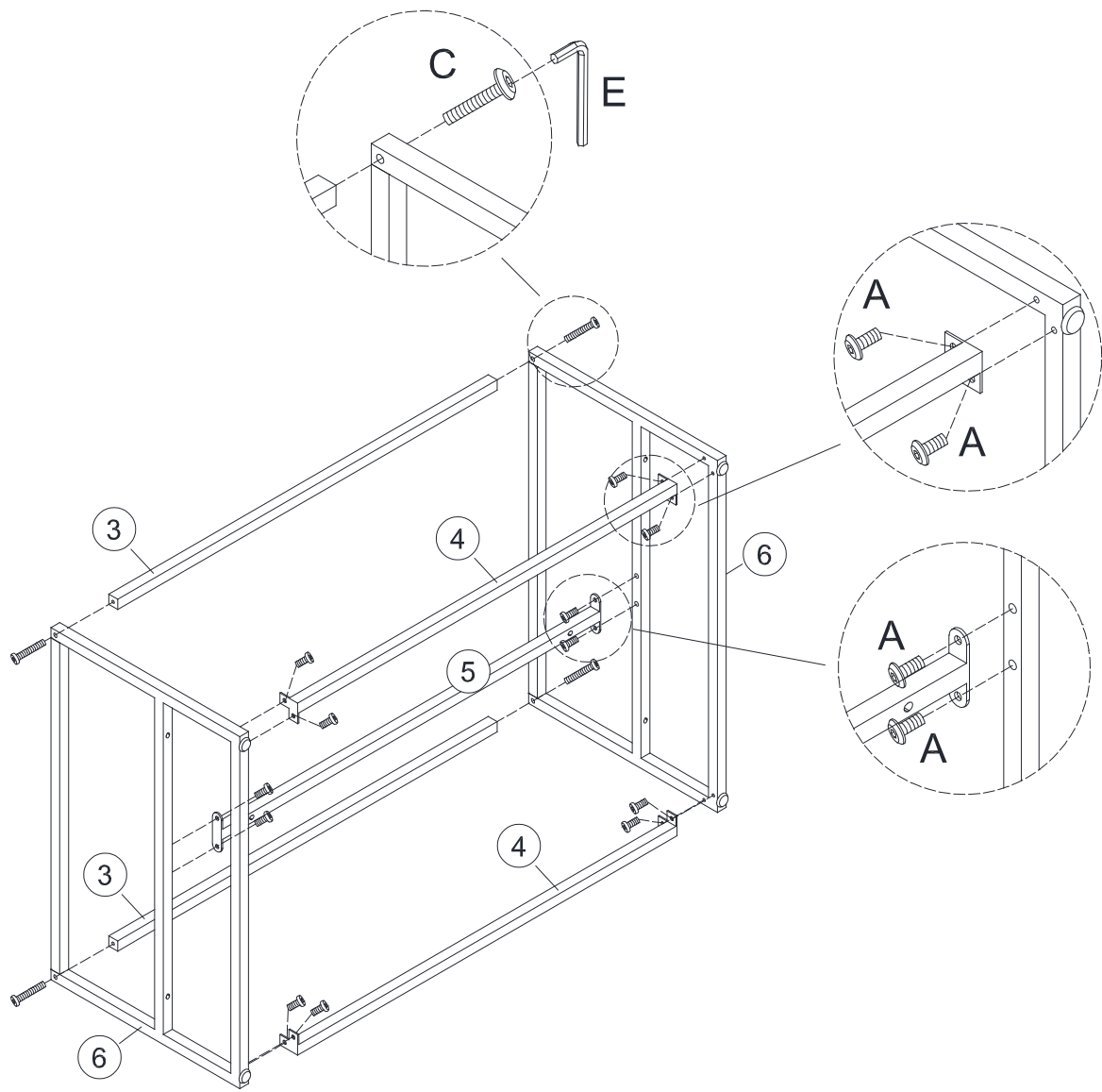
# 1.

<b>D</b>		Ø22xM6
		<b>4x</b>

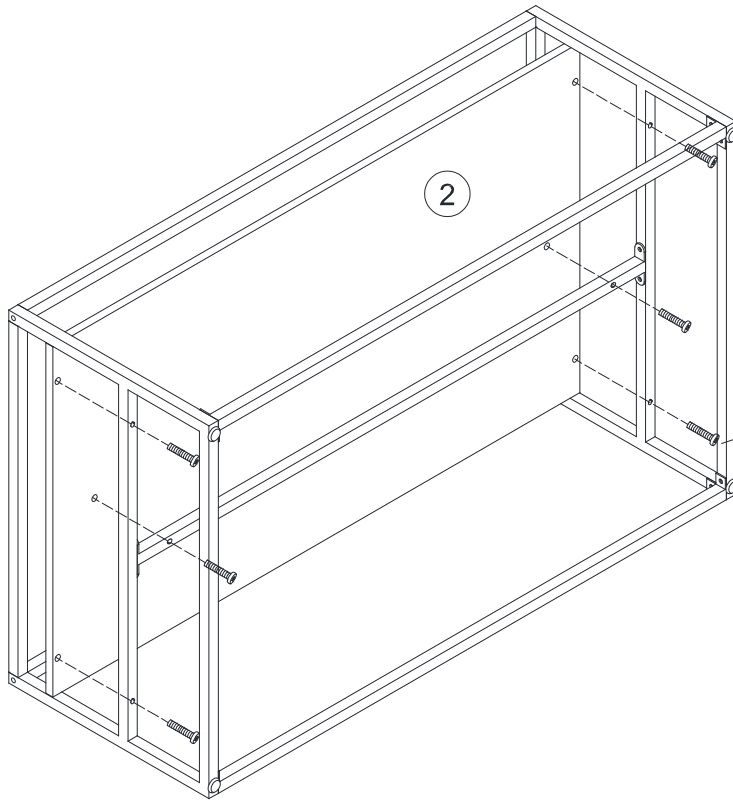





# 2.

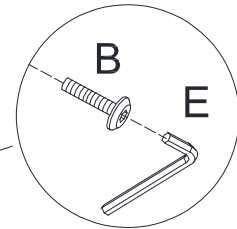
<b>A</b>		M6x12mm
		<b>12x</b>
<b>C</b>		M6x40mm
		<b>4x</b>
<b>E</b>		4mm
		<b>1x</b>
		



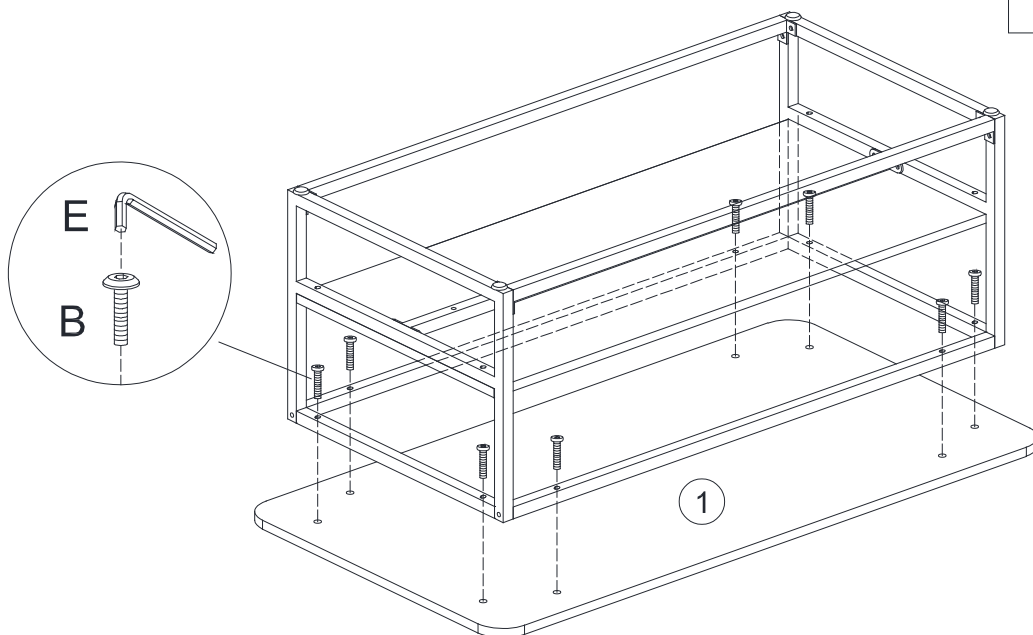
3.






<b>B</b>		M6x30mm
		<b>6x</b>
<b>E</b>		4mm
		<b>1x</b>
		

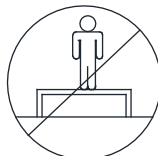
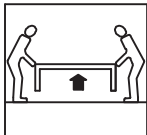
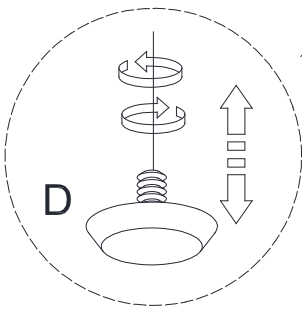
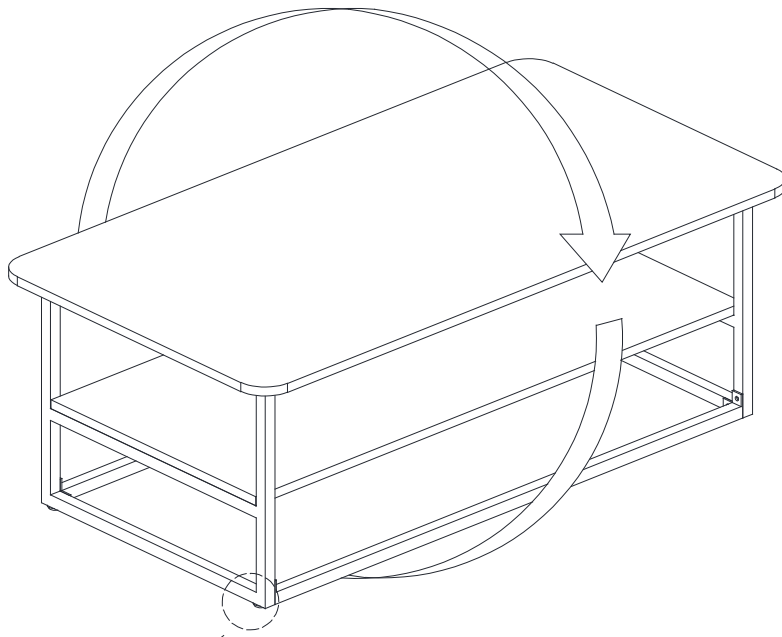


4.



<b>B</b>		M6x30mm
		<b>8x</b>
<b>E</b>		4mm
		<b>1x</b>
		

5.



**LE TRI  
+ FACILE**



*Séparez les éléments avant de trier*