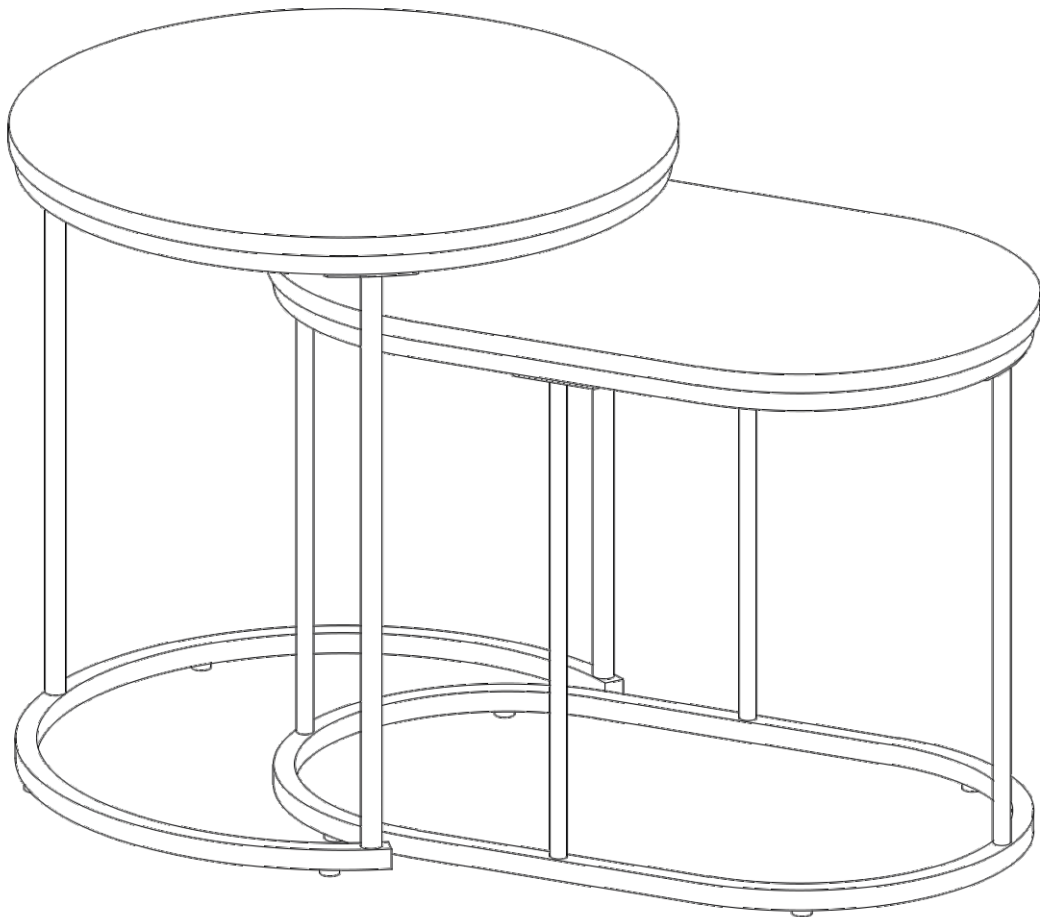




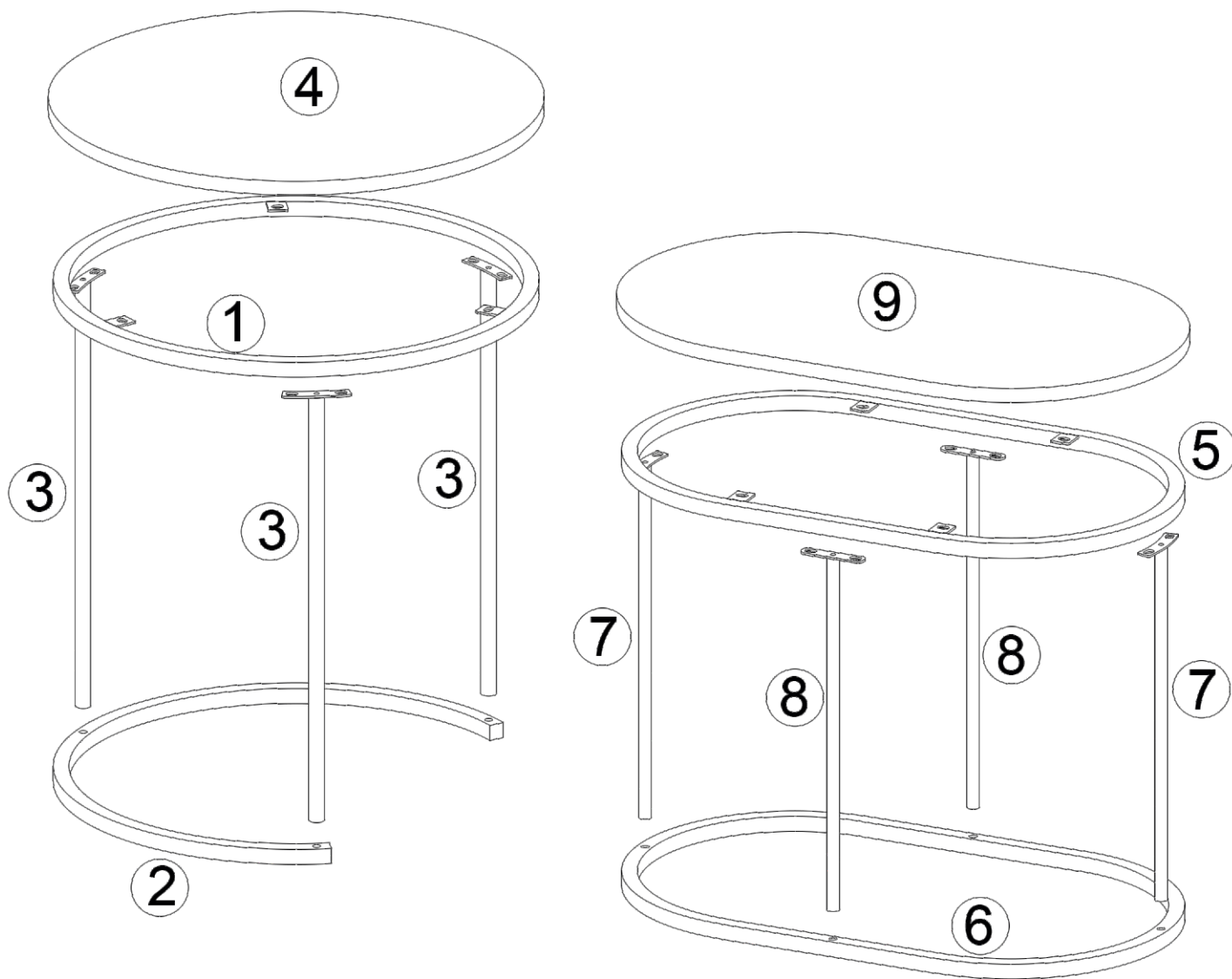
INcga174_GL

839-374

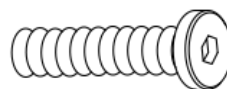


IMPORTANT, RETAIN FOR FUTURE REFERENCE: READ CAREFULLY

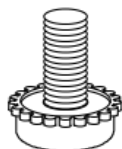
ASSEMBLY & INSTRUCTION MANUAL



A x21
M6*12
+1(spare)




B x 7
M6*25
+1(spare)

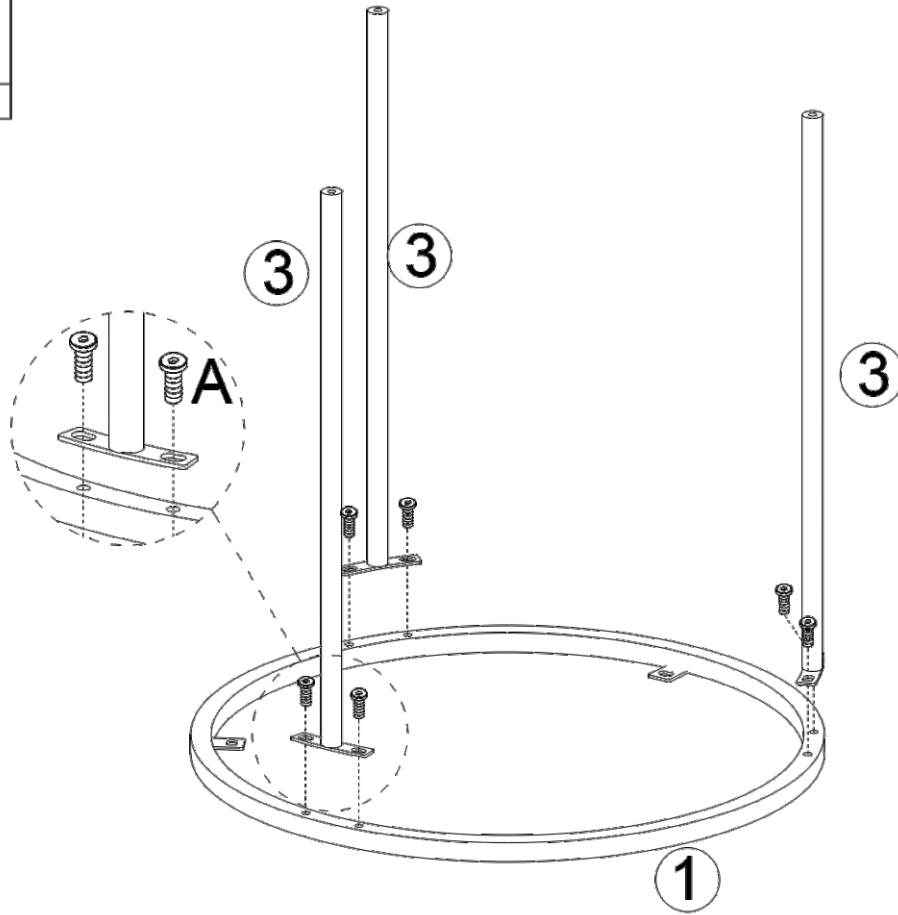



C x 8

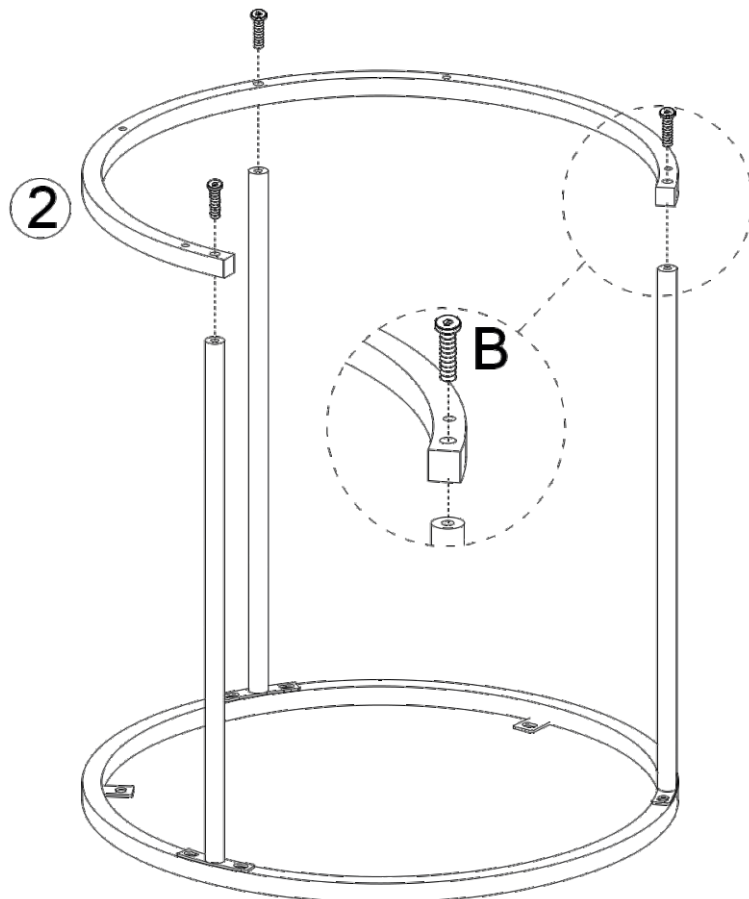




D x 1
M4

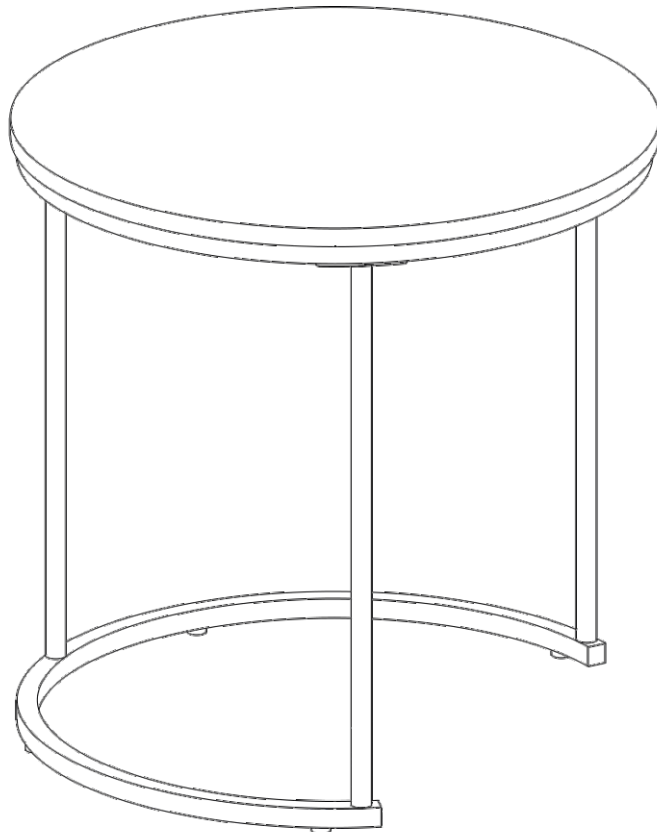
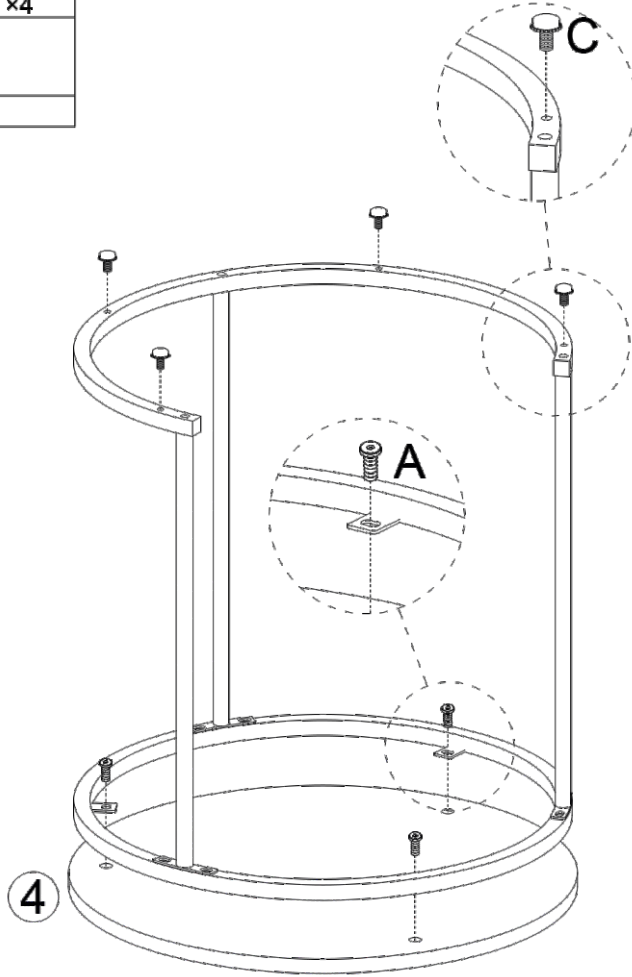
A	x6
	
M6x12mm	




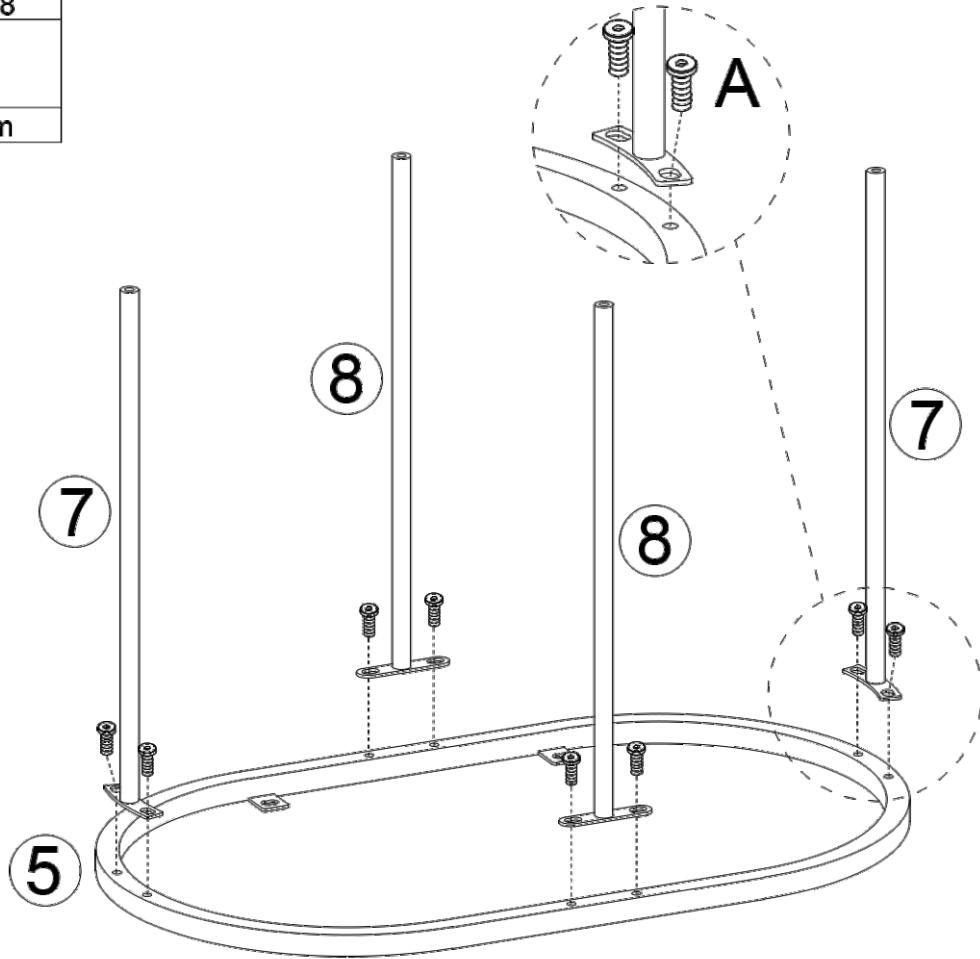
B	x3
	
M6x25mm	




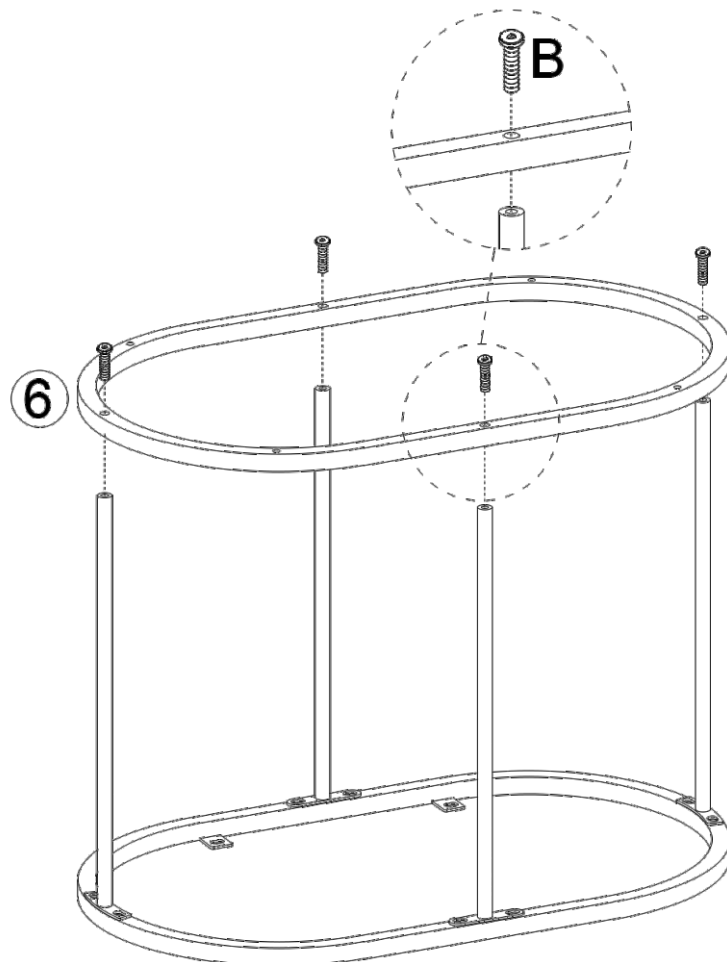
A	x3	C	x4
			
M6x12mm			





A	×8
	
M6×12mm	



B	×4
	
M6×25mm	



A	x4	C	x4
			
M6x12mm			

