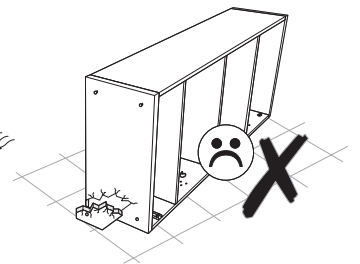
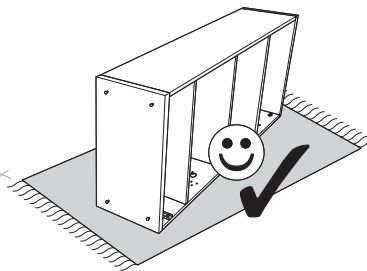
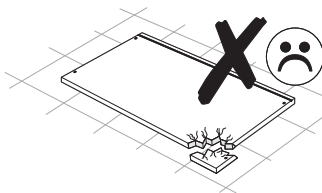
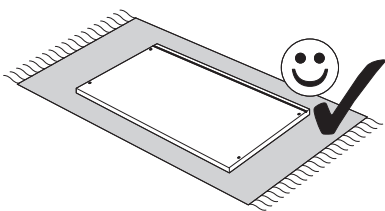
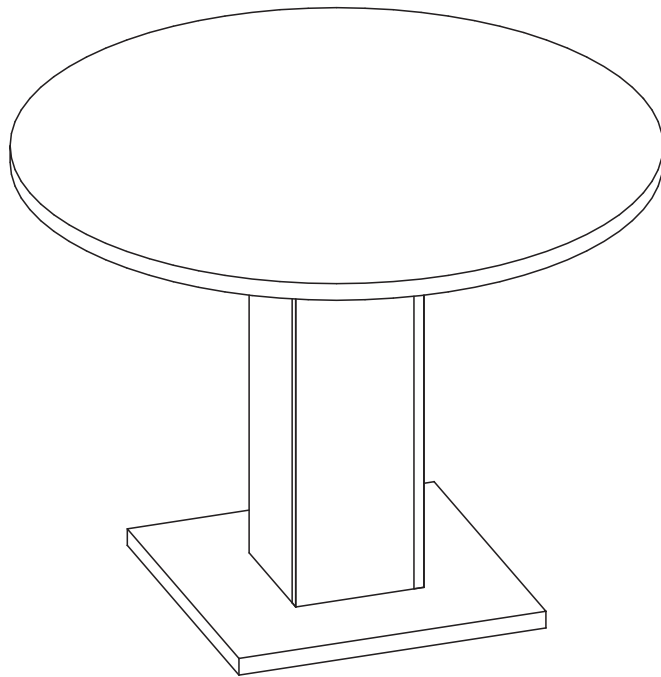
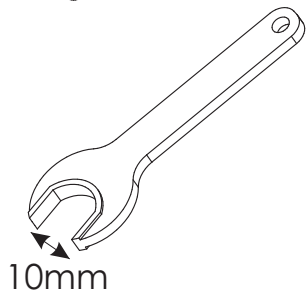
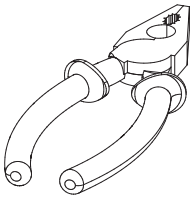
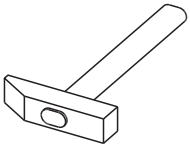
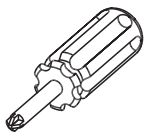
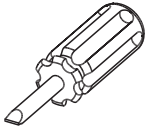
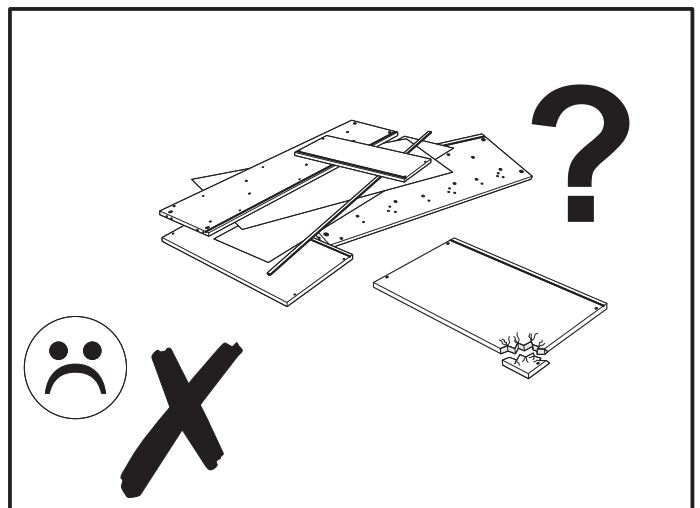
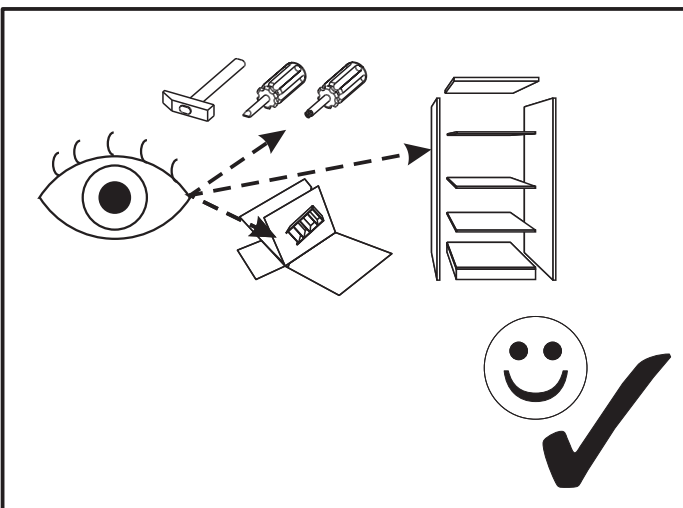
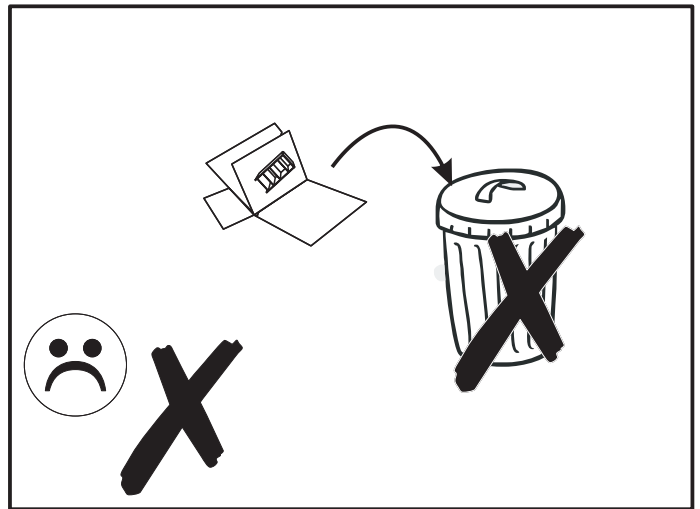
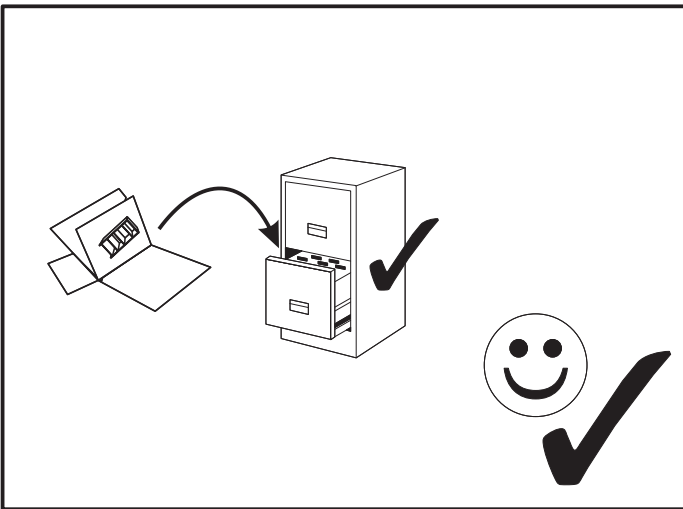
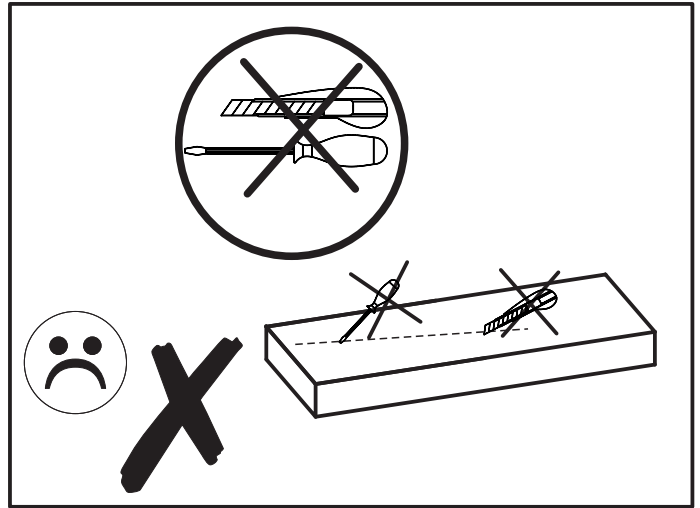
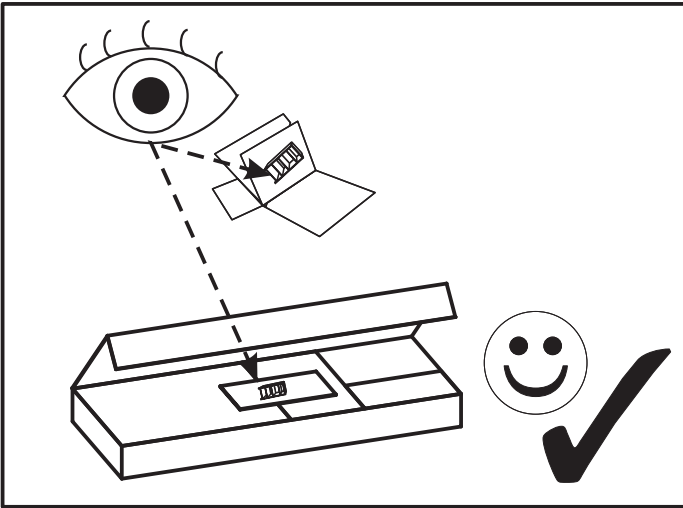
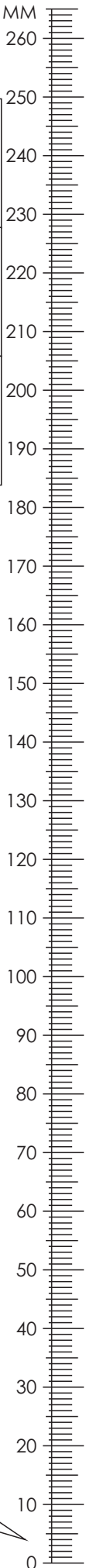





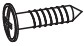


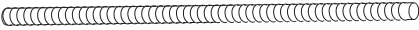



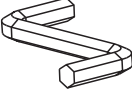
LEO 02

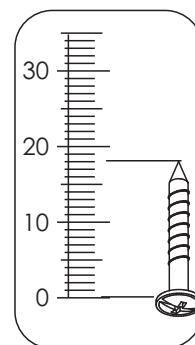




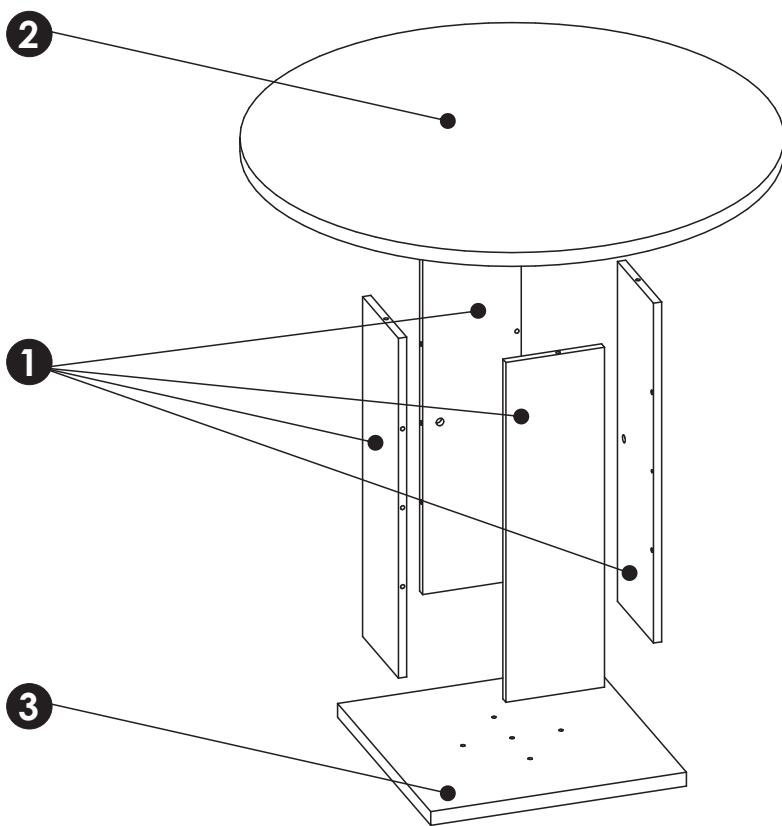
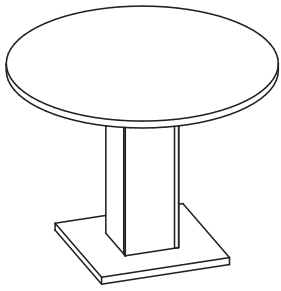
LEO 02

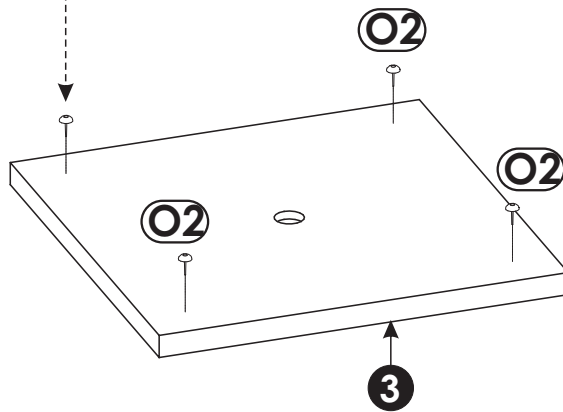
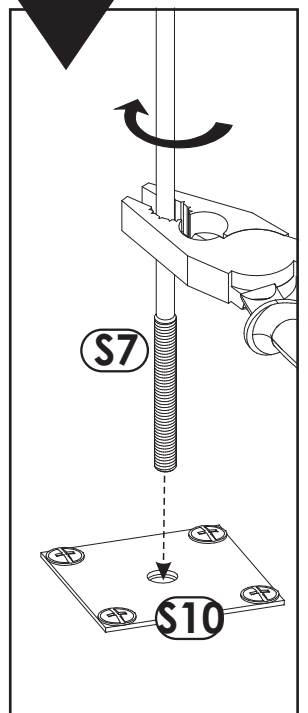
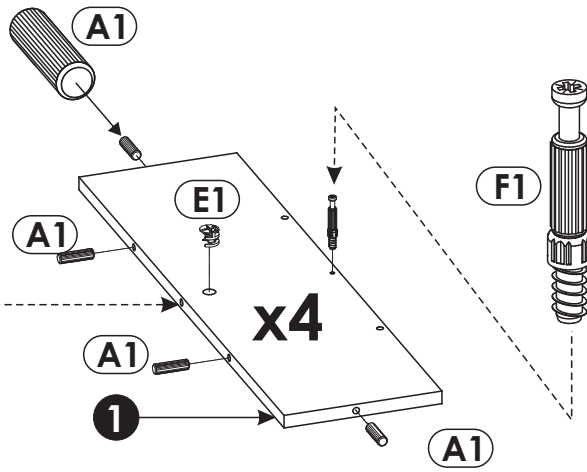
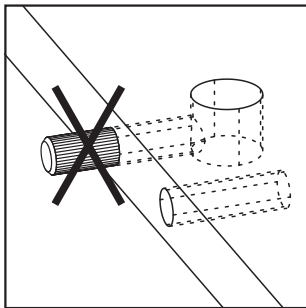
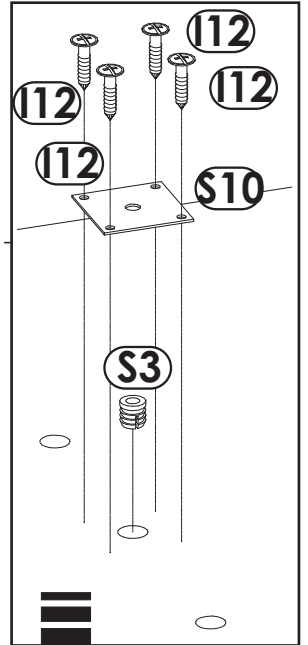
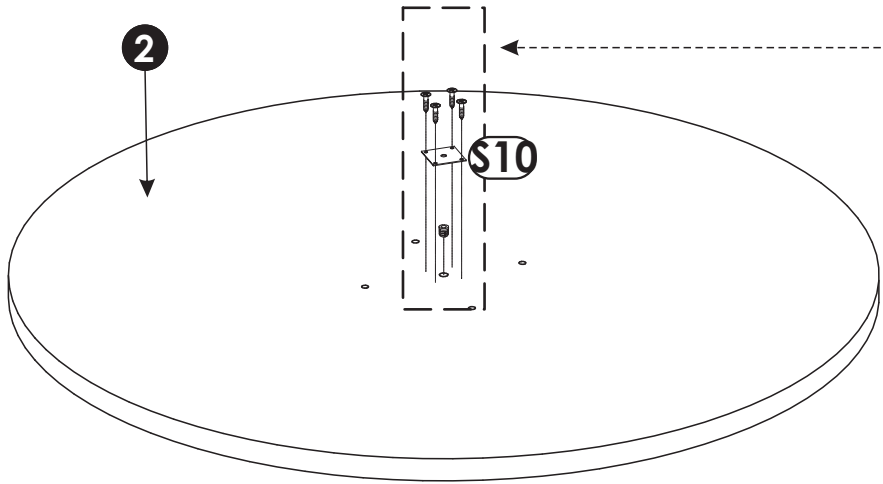
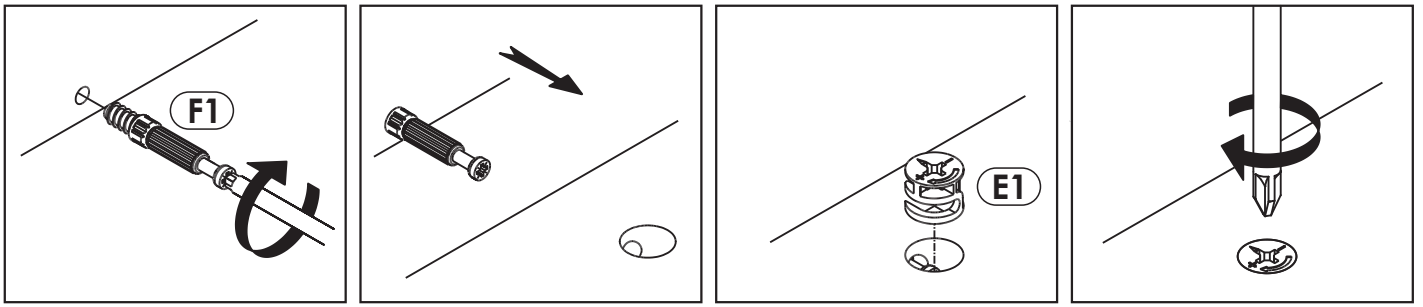


<p>A1 x16 $\varnothing 8 \times 35\text{mm}$</p> 	<p>E1 x4 $\varnothing 15 \times 12\text{mm}$</p> 	<p>F1 x4</p> 
<p>I12 x4 $3.5 \times 16\text{mm}$</p> 	<p>O2 x4</p> 	<p>S3 x1</p> 
<p>S7 x1 M6x720</p> 	<p>S8 x1 M6</p> 	<p>S9 x1</p> 
<p>S10 x1</p> 	<p>M x1</p> 	

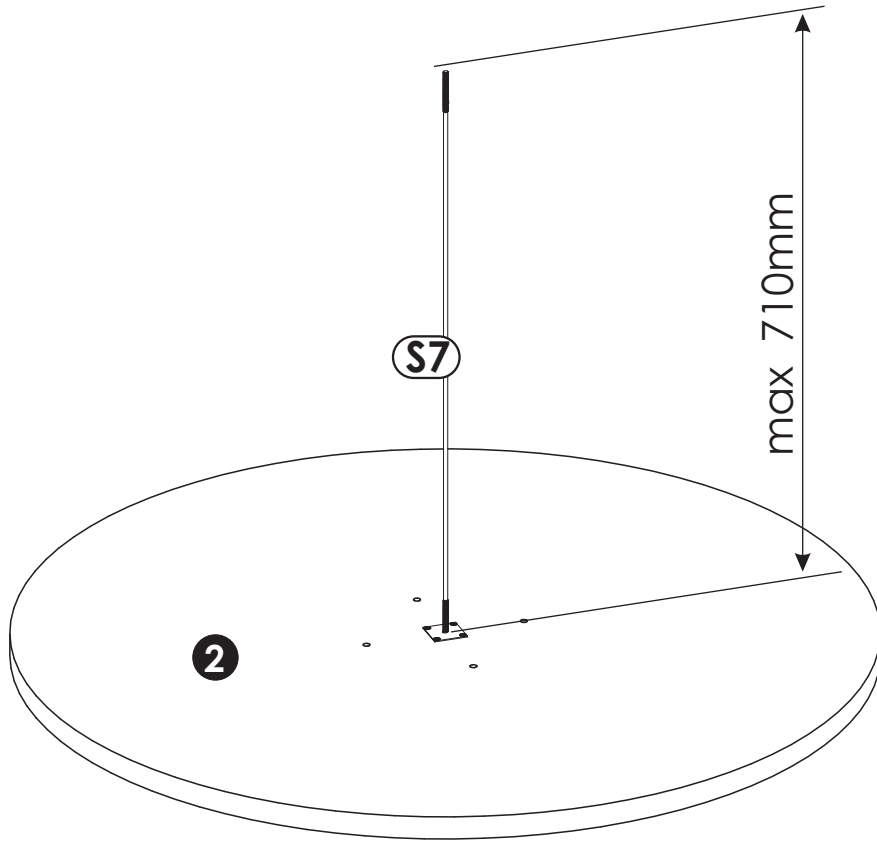


LEO 02

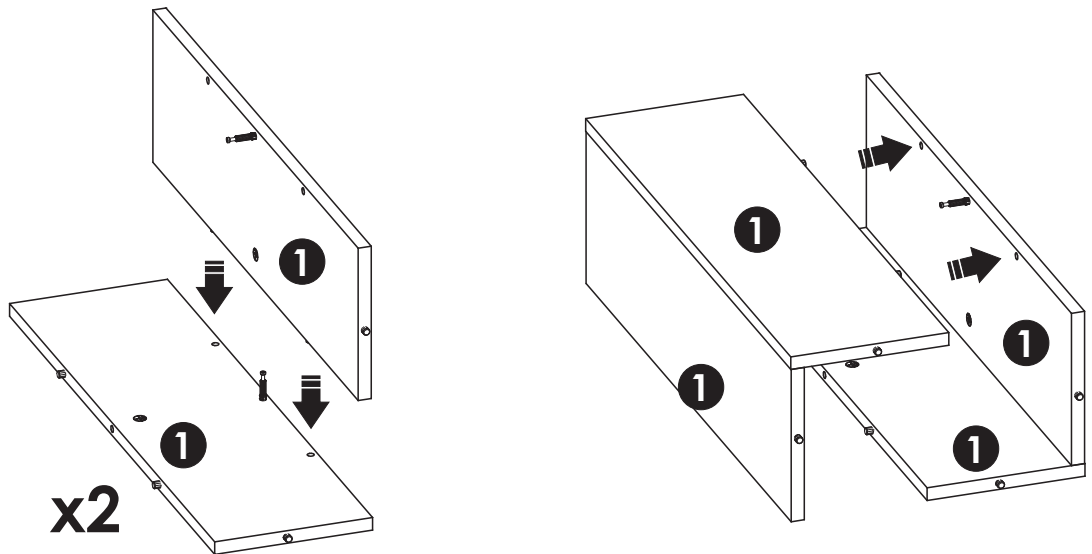




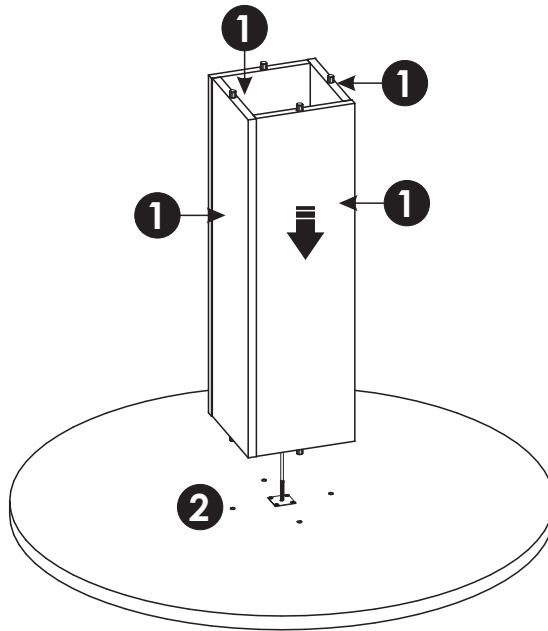
2 ▶



3 ▶



4 ▶



5 ▶

