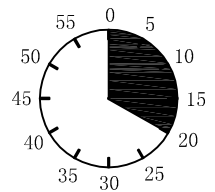
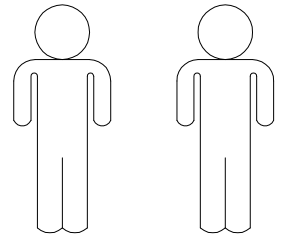
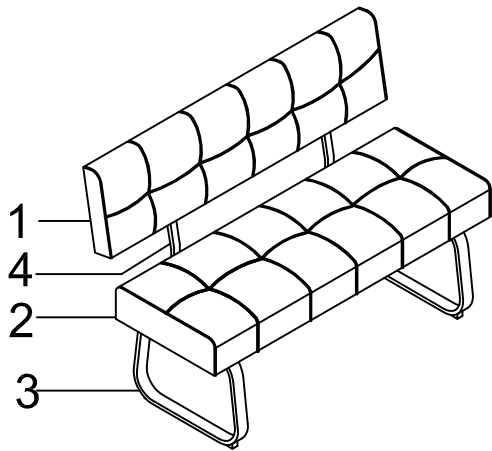


# Luise 1

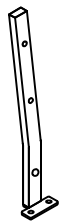
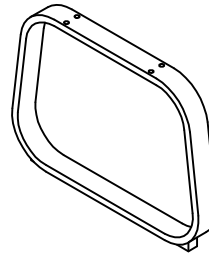
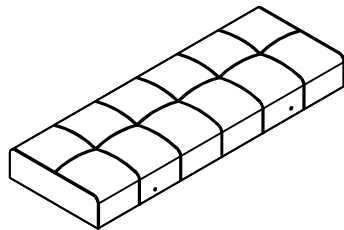
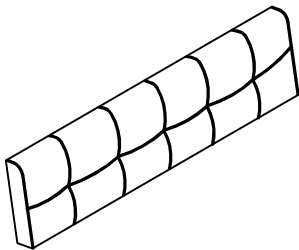


1

2

3

4



|   |    |
|---|----|
| 1 | 1x |
| 2 | 1x |
| 3 | 2x |
| 4 | 2x |



1/1

A

M8\*35



12X

B

M8\*20



4X

C

M8\*40



2X

D

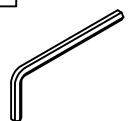
Ø18\*Ø8\*1.5



18X

E

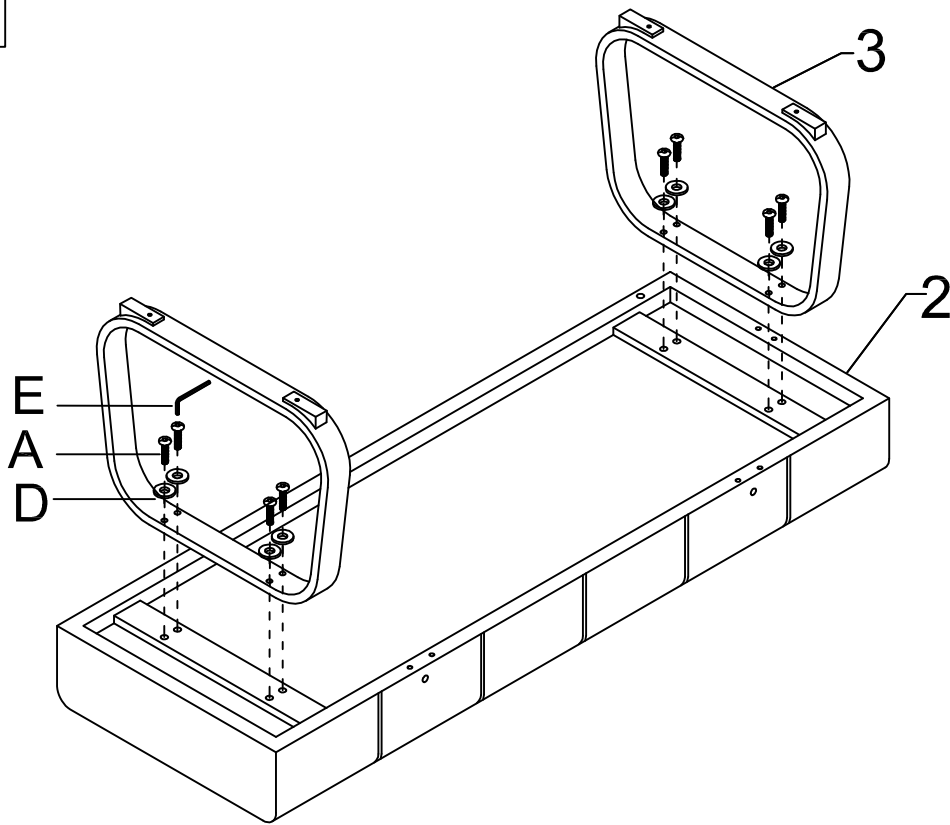
5mm



1X

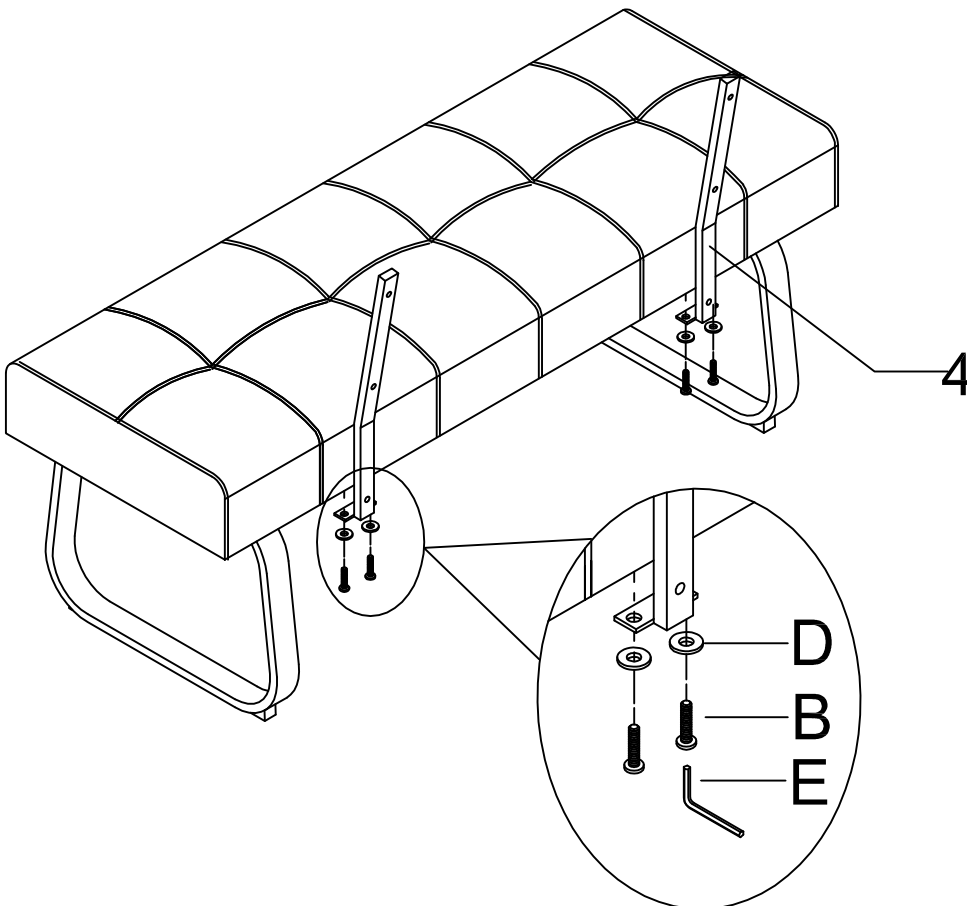
I.

1.



|   |                  |
|---|------------------|
| A | M8*35<br>8X      |
| D | Ø18*Ø8*1.5<br>8X |
| E | 5mm<br>1X        |
|   |                  |

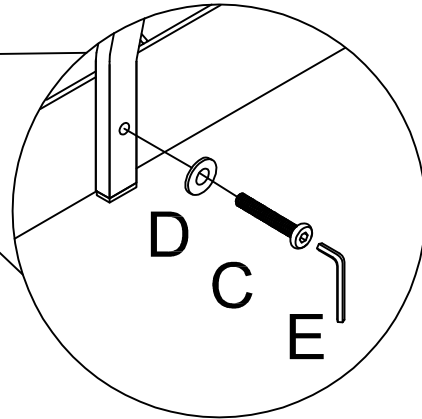
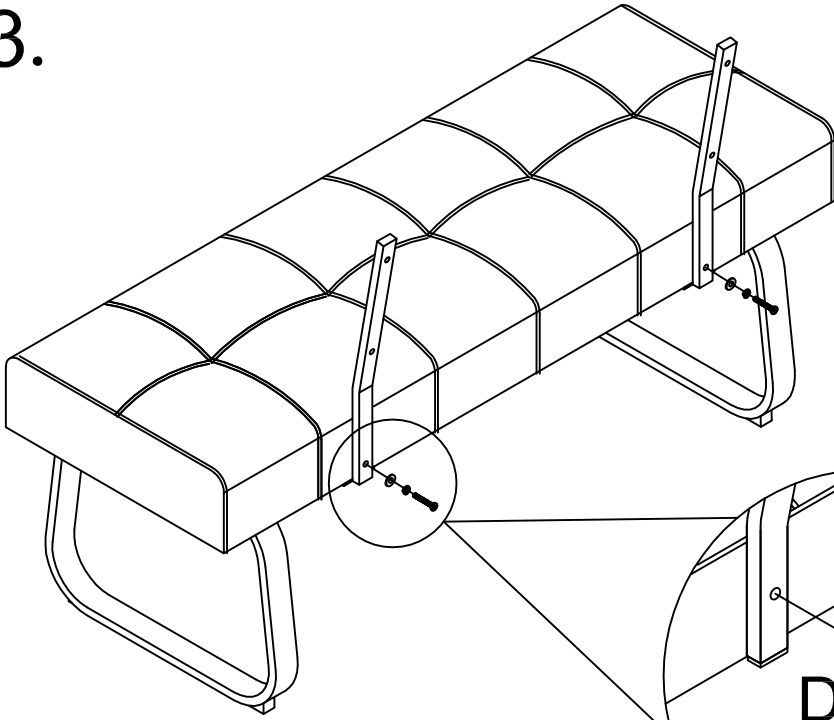
2.







|   |                  |
|---|------------------|
| B | M8*20<br>4X      |
| D | Ø18*Ø8*1.5<br>4X |
| E | 5mm<br>1X        |
|   |                  |

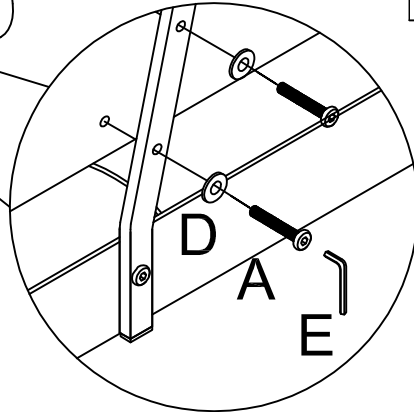
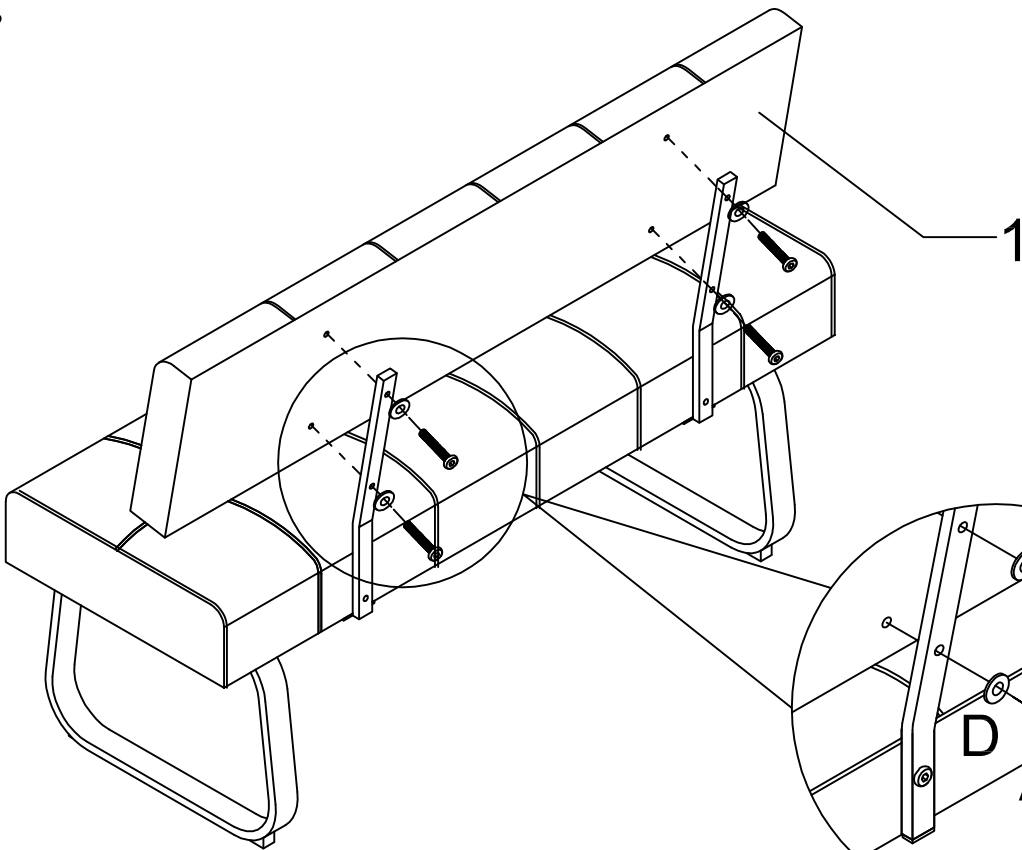
II.





3.



- C  M8\*40  
2X
- D  Ø18\*Ø8\*1.5  
2X
- E  5mm  
1X
- 

4.

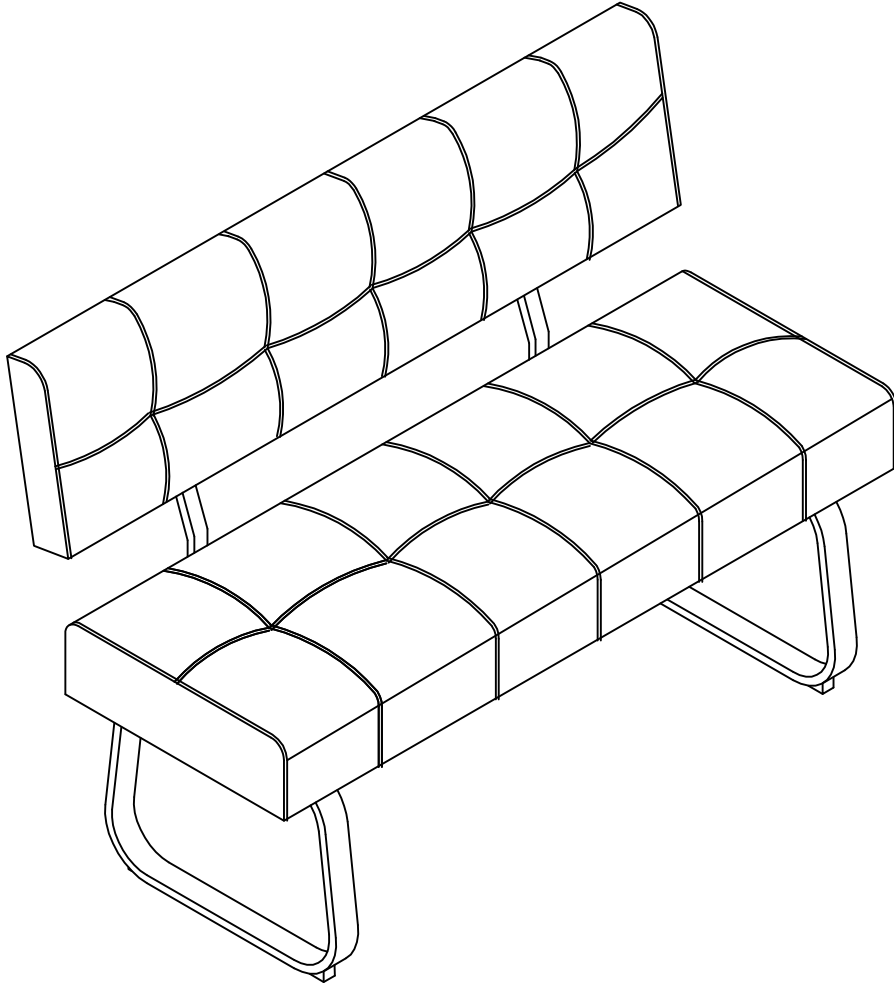


- A  M8\*35  
4X
- D  Ø18\*Ø8\*1.5  
4X
- E  5mm  
1X
- 

III.

5.

E 5mm  
1X



Séparez les éléments avant de trier