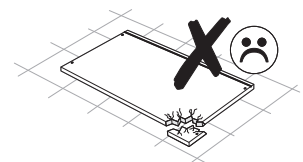
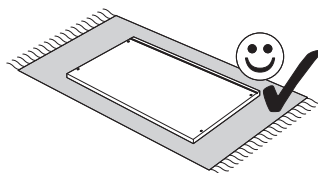
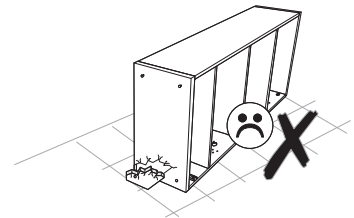
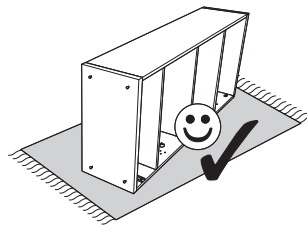
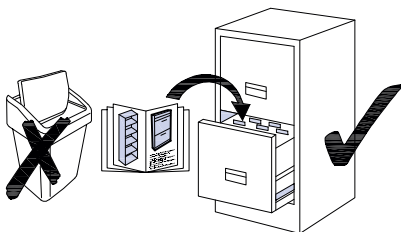
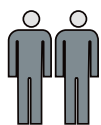
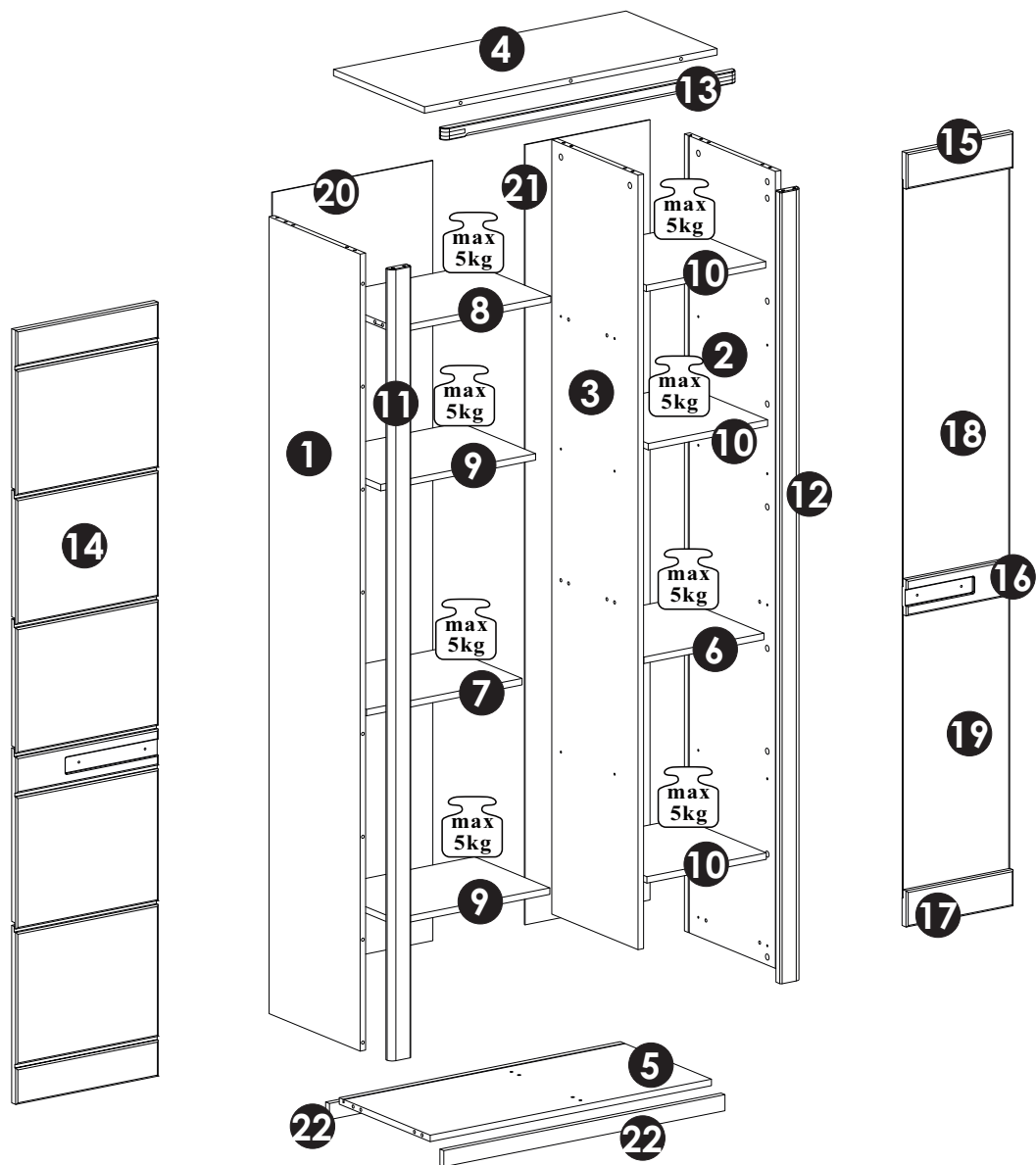


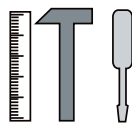
# Nature One 12 18 FF 01



# Nature One 12 18 FF 01



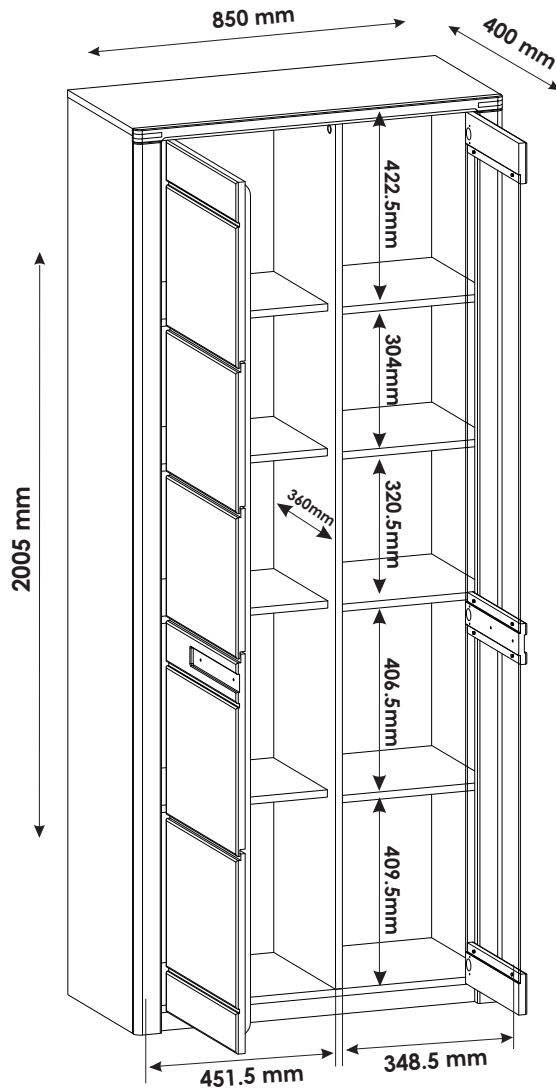
135 min



NO	Dim.(mm)			Col.-No	Qty
1	1983	380	16	1/3	1
2	1983	380	16	1/3	1
3	1927	360	16	1/3	1
4	849	380	16	2/3	1
5	816	380	16	2/3	1
6	348.5	355	16	2/3	1
7	451.5	315	16	2/3	1
8	451.5	315	16	2/3	1
9	449.5	315	16	2/3	2
10	346.5	350	16	2/3	3
11	1970	60	20	3/3	1
12	1970	60	20	3/3	1
13	851	30	20	3/3	1

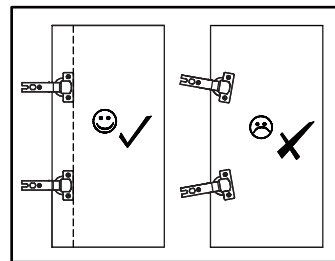
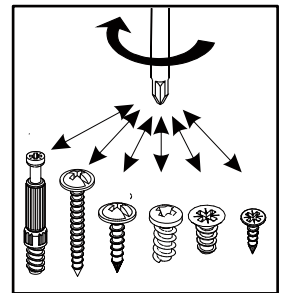
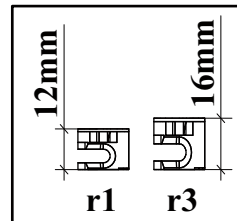
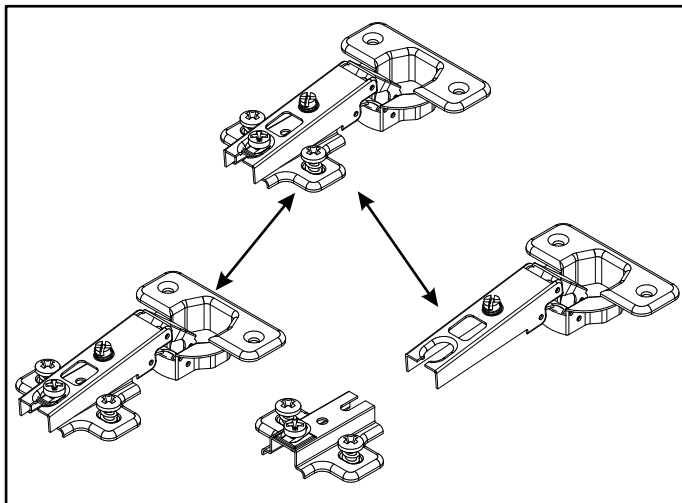
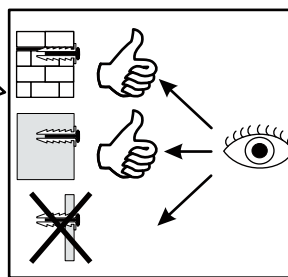
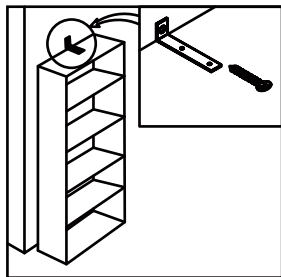
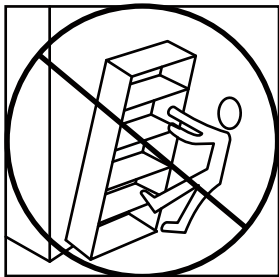
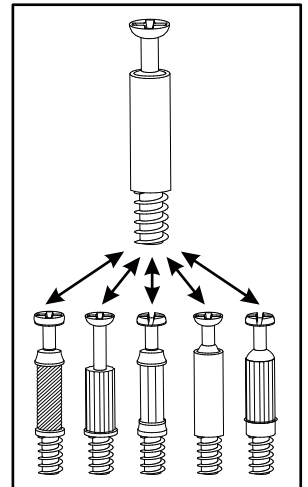
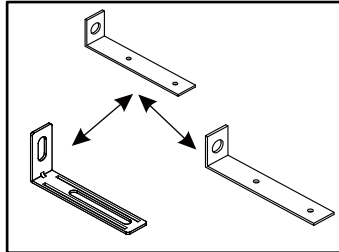
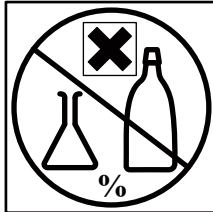
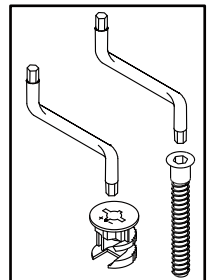
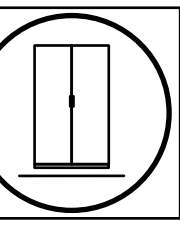
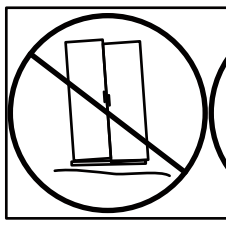
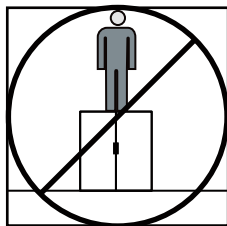
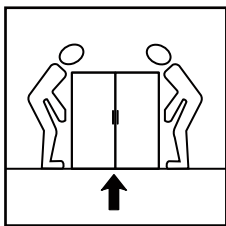
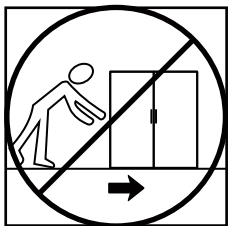
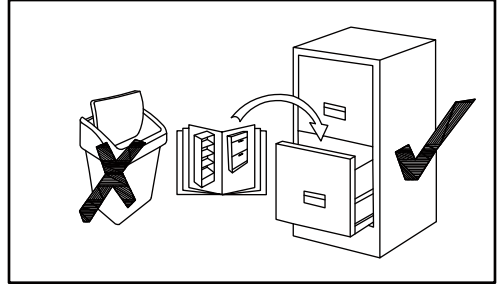
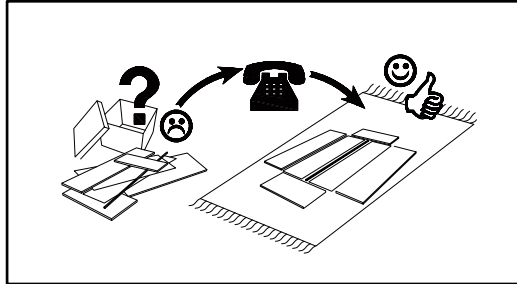
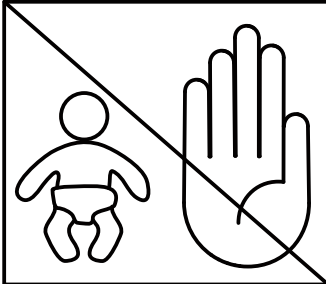
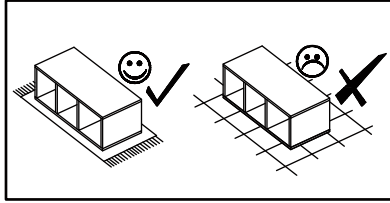
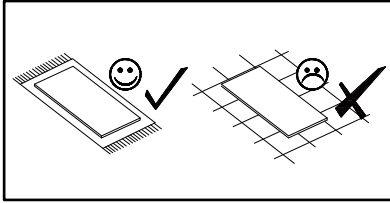
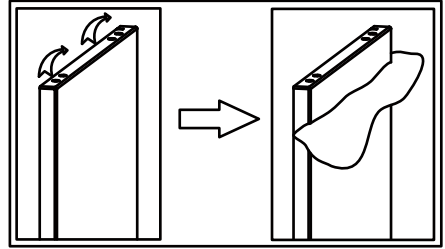
NO	Dim.(mm)			Col.-No	Qty
14	1926	413	20	3/3	1
15	310	90	20	3/3	1
16	310	90	20	3/3	1
17	310	90	20	3/3	1
18	309	1012	4	3/3	1
19	309	724	4	3/3	1
20	1941	465.5	3	1/3	1
21	1941	362.5	3	1/3	1
22	816	40	16	2/3	2
A				2/3	1

# Nature One 12 18 FF 01

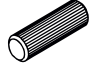
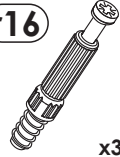



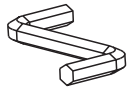


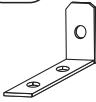
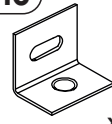
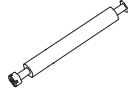
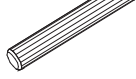
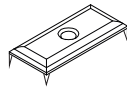


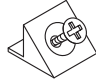




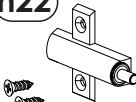


The instruction block contains several rows of icons and diagrams:


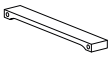
- Usage and Safety:**
  - Two people standing in front of the wardrobe with an upward arrow.
  - A person standing on top of the wardrobe with a diagonal slash through the circle.
  - A hand holding a baby with a diagonal slash through the circle.
  - A person leaning against the wardrobe with a diagonal slash through the circle.
  - A clock face showing 90 minutes.
  - Two person silhouettes with the text "2 Pers."
- Placement and Care:**
  - Two circular icons showing the wardrobe should be placed on a flat, level surface.
  - A diagram showing the wardrobe should be placed on a soft surface like a rug, not directly on a hard floor.
  - A diagram showing a person thinking about the wardrobe's placement, with a telephone icon indicating customer support.
  - Two circular icons showing the wardrobe should be kept away from heat sources like a hot cup of coffee.
  - Icons of various tools: screws, a hammer, a pencil, a square, a level, a saw, a drill, and a drill bit labeled  $\phi 8$ .
- Maintenance and Cleaning:**
  - A circular icon showing hands being washed with soap and water.
  - A circular icon with a gear and the text "100% COTTON".
  - A diagram showing cleaning with a bucket of water, a spray bottle, and a cloth, marked with a green checkmark.
  - A diagram showing ironing and using a steam iron, marked with a red X.
  - A diagram showing a calendar with a date circled, a smiley face, and a circular arrow icon.



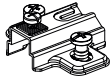
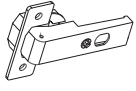
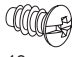

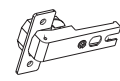
# A1

<p><b>f1</b></p>  <p>φ8x30 mm x24</p>	<p><b>r16</b></p>  <p>x37</p>	<p><b>r1</b></p>  <p>x41</p>	<p><b>e1</b></p>  <p>φ6.5x50 mm x2</p>	<p><b>f17</b></p>  <p>φ8x50 mm x1</p>	<p><b>z1</b></p>  <p>x1</p>	<p><b>s2</b></p>  <p>x41</p>
<p><b>k1</b></p>  <p>x6</p>	<p><b>n14</b></p>  <p>x1</p>	<p><b>n6</b></p>  <p>x8</p>	<p><b>r11</b></p>  <p>x2</p>	<p><b>f6</b></p>  <p>φ8x50 mm x2</p>	<p><b>l9</b></p>  <p>x7</p>	<p><b>d1</b></p>  <p>φ5x17 mm x20</p>
<p><b>o21</b></p>  <p>x4</p>	<p><b>l2</b></p>  <p>x14</p>	<p><b>o27</b></p>  <p>x8</p>	<p><b>p4</b></p>  <p>φ3.5x16 mm x23</p>			
<p><b>p1</b></p>  <p>φ3.5x13 mm x32</p>	<p><b>j2</b></p>  <p>M4x20 mm x4</p>	<p><b>n22</b></p>  <p>x3</p>				

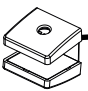

# A2

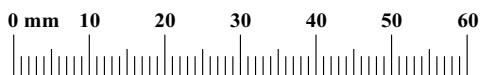
<p><b>c28</b></p>  <p>192 mm x1</p>	<p><b>c27</b></p>  <p>128 mm x1</p>
---	---

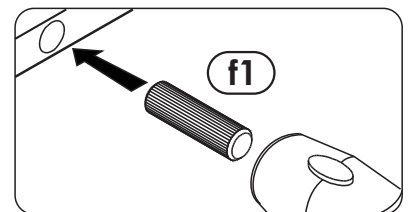
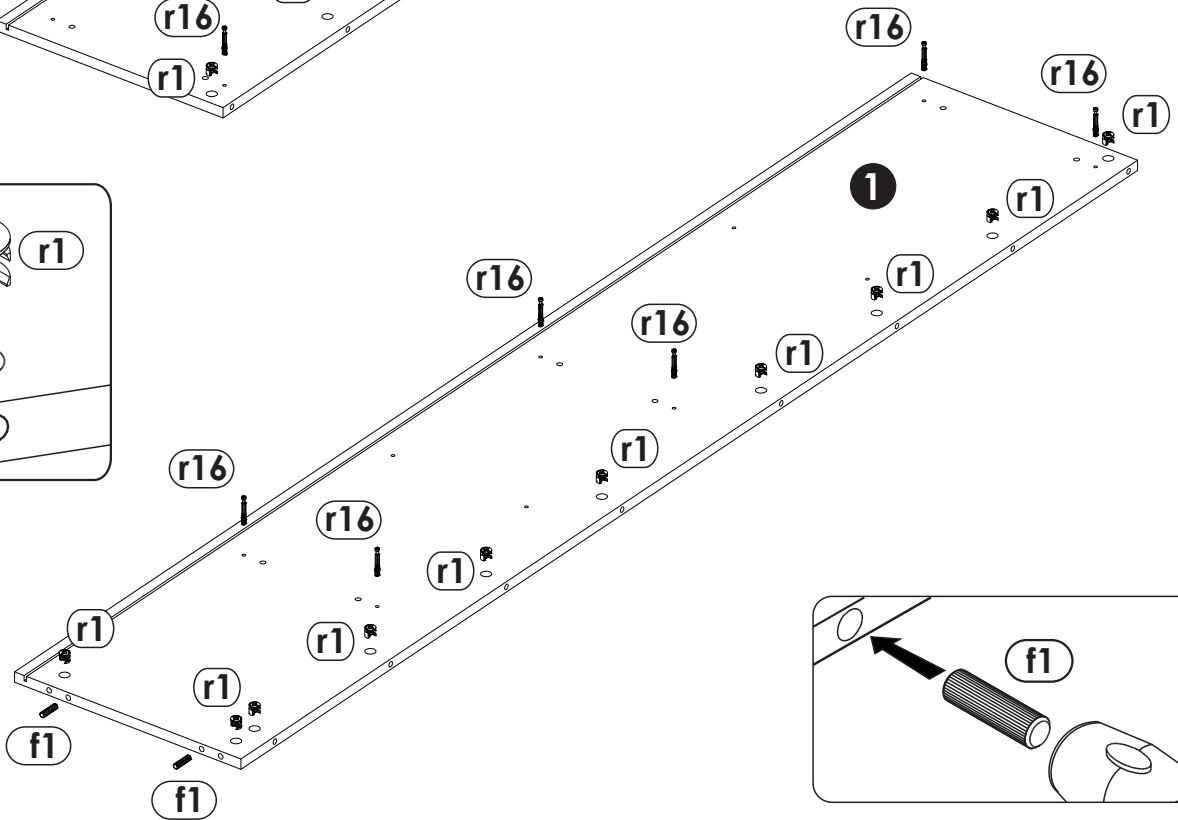
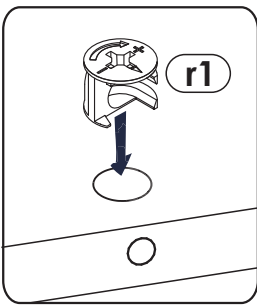
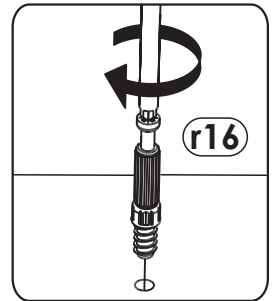
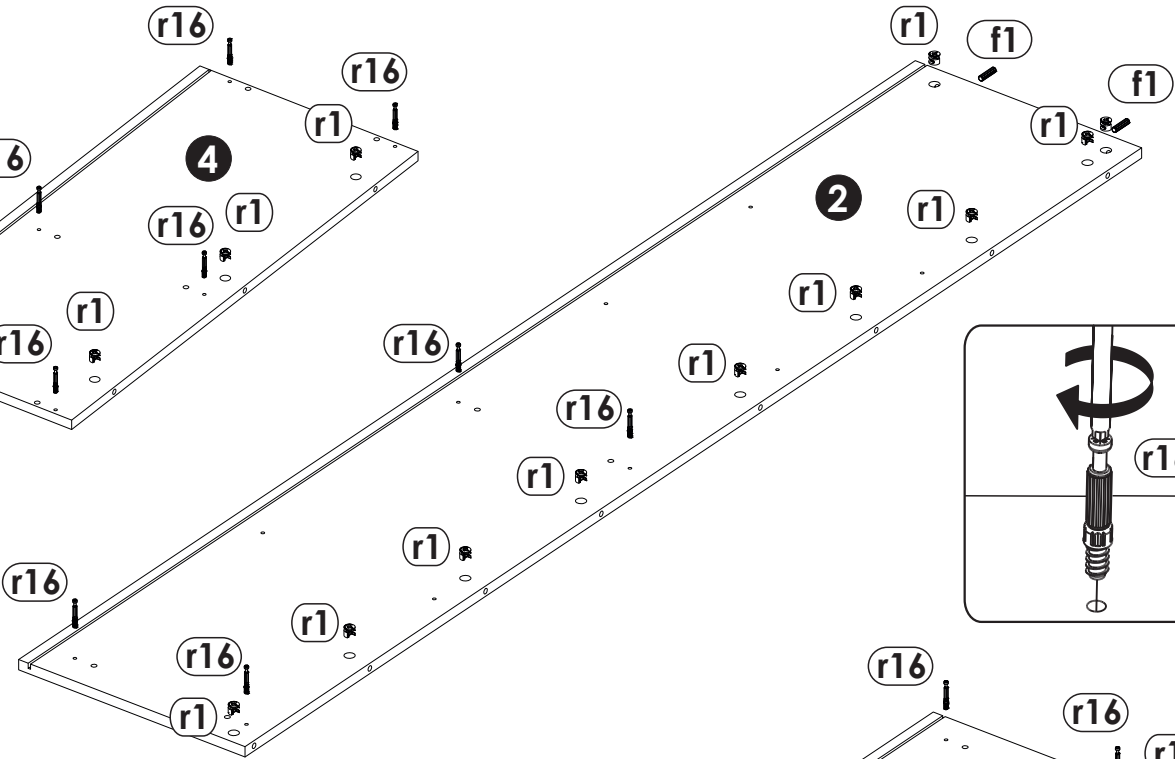
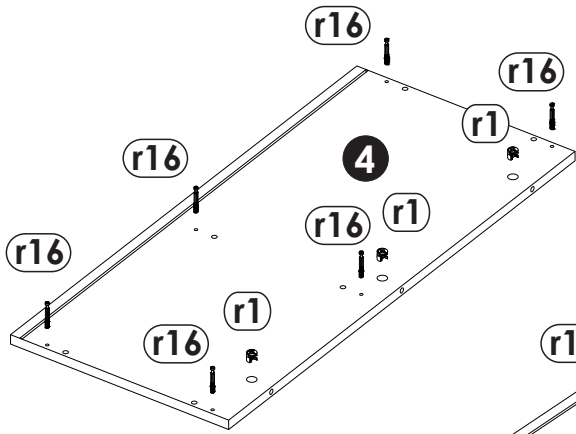
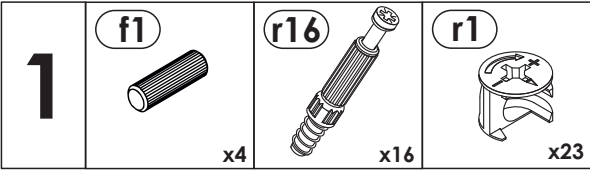
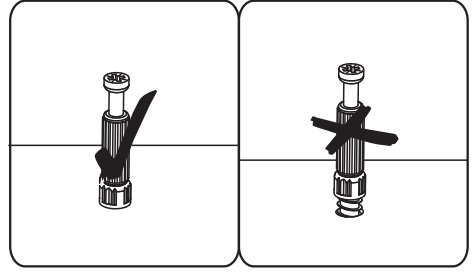
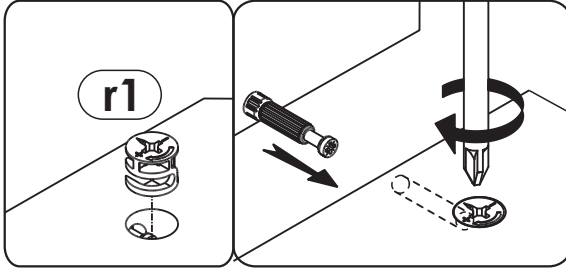
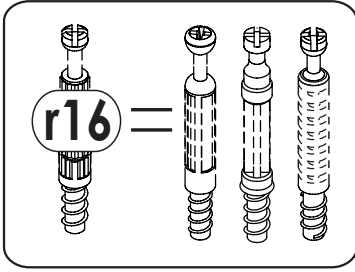
# A3

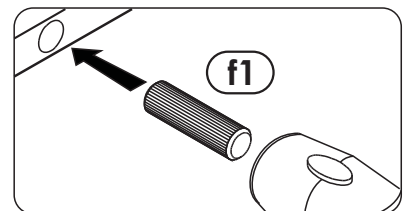
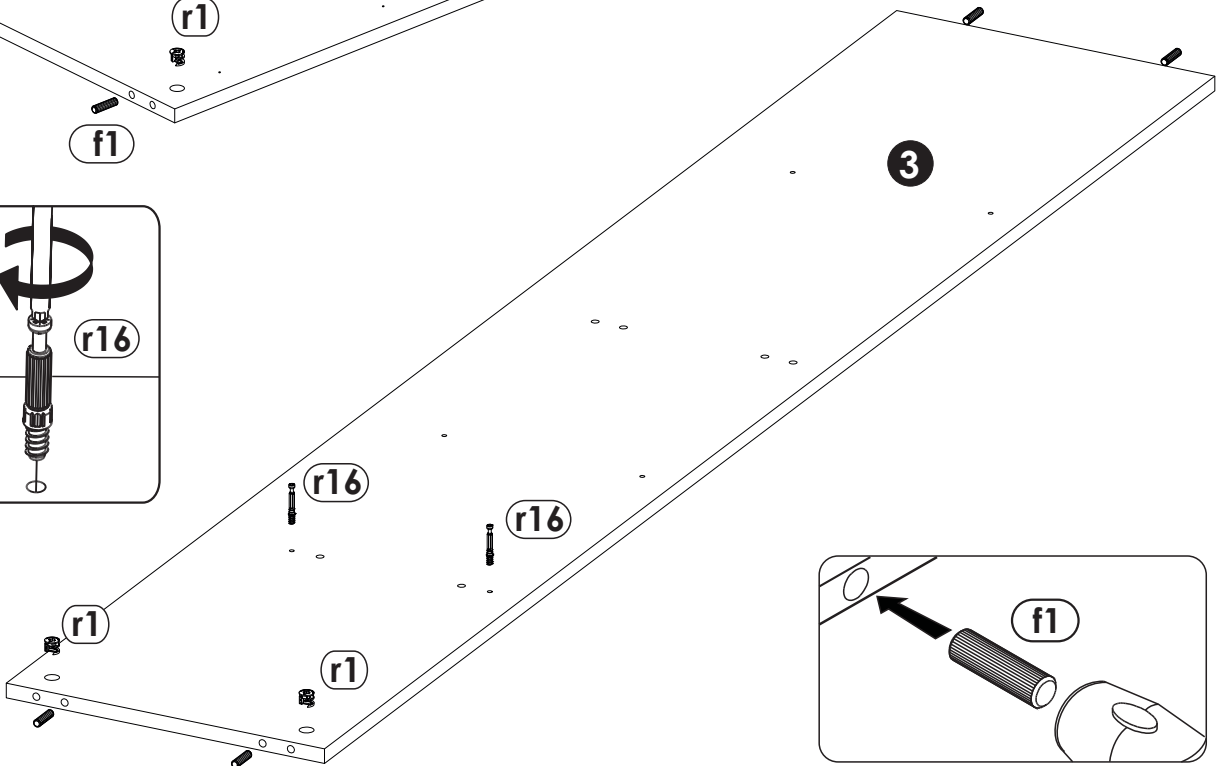
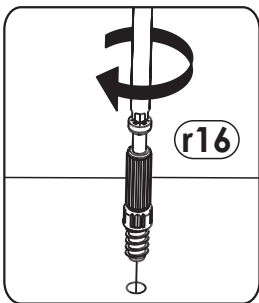
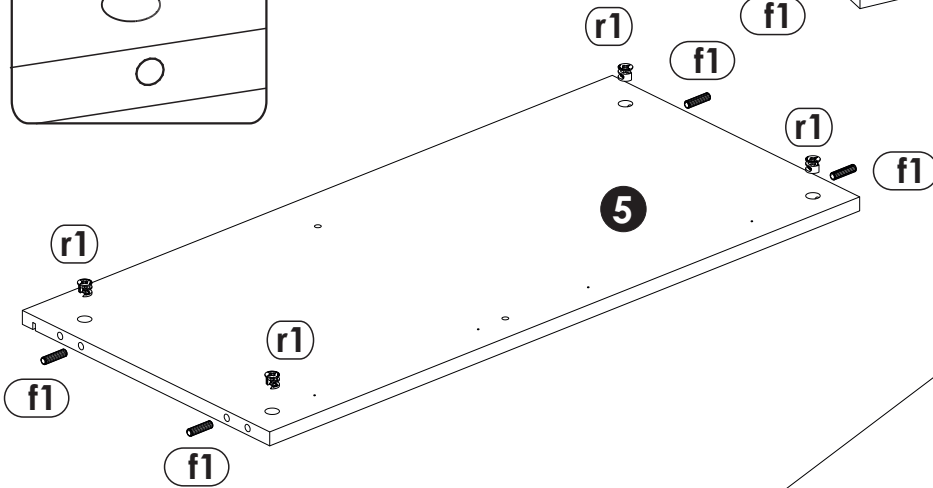
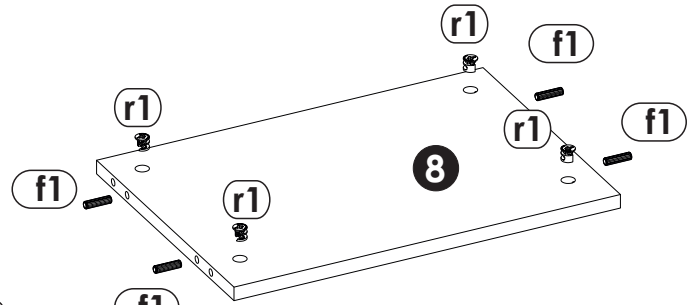
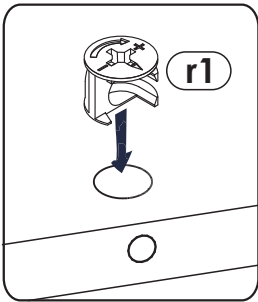
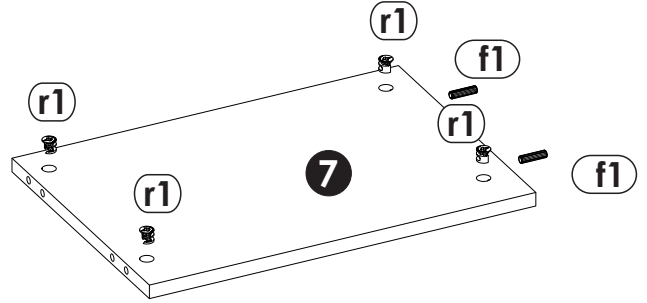
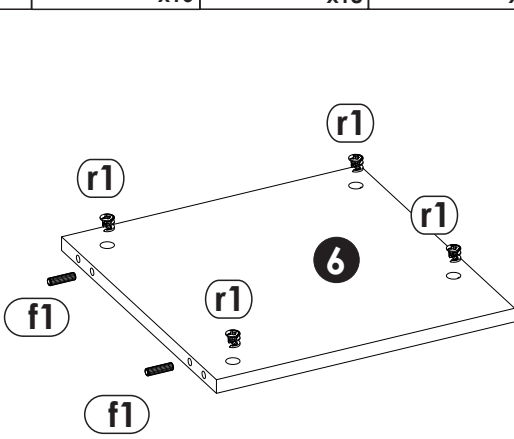
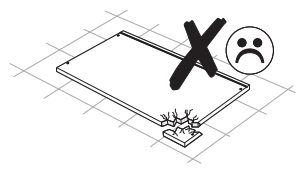
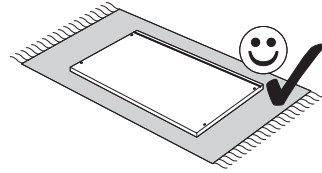
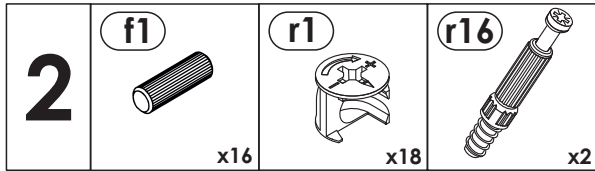
<p><b>b6</b></p>  <p>x4</p>	<p><b>a6</b></p>  <p>φ35 mm x4</p>	<p><b>e2</b></p>  <p>φ6.3x13 mm x14</p>
<p><b>b8</b></p>  <p>x3</p>	<p><b>a8</b></p>  <p>φ26 mm x3</p>	

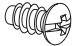

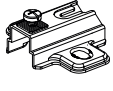


# A4

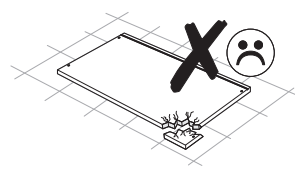
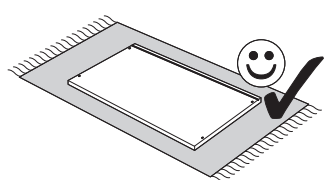
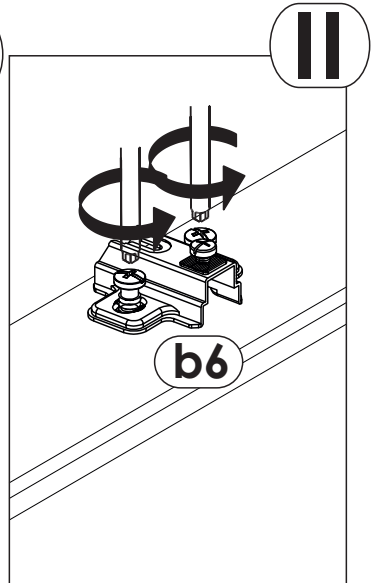
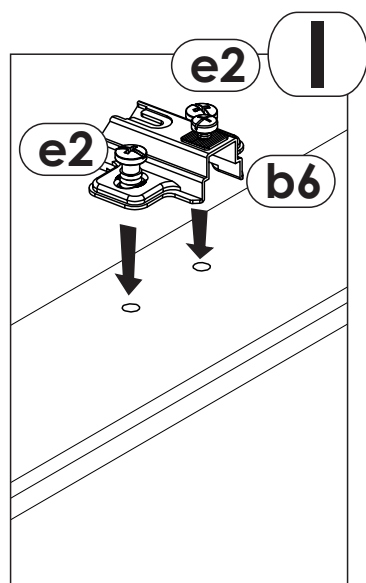
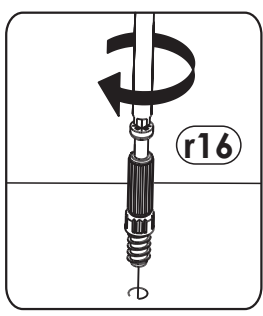
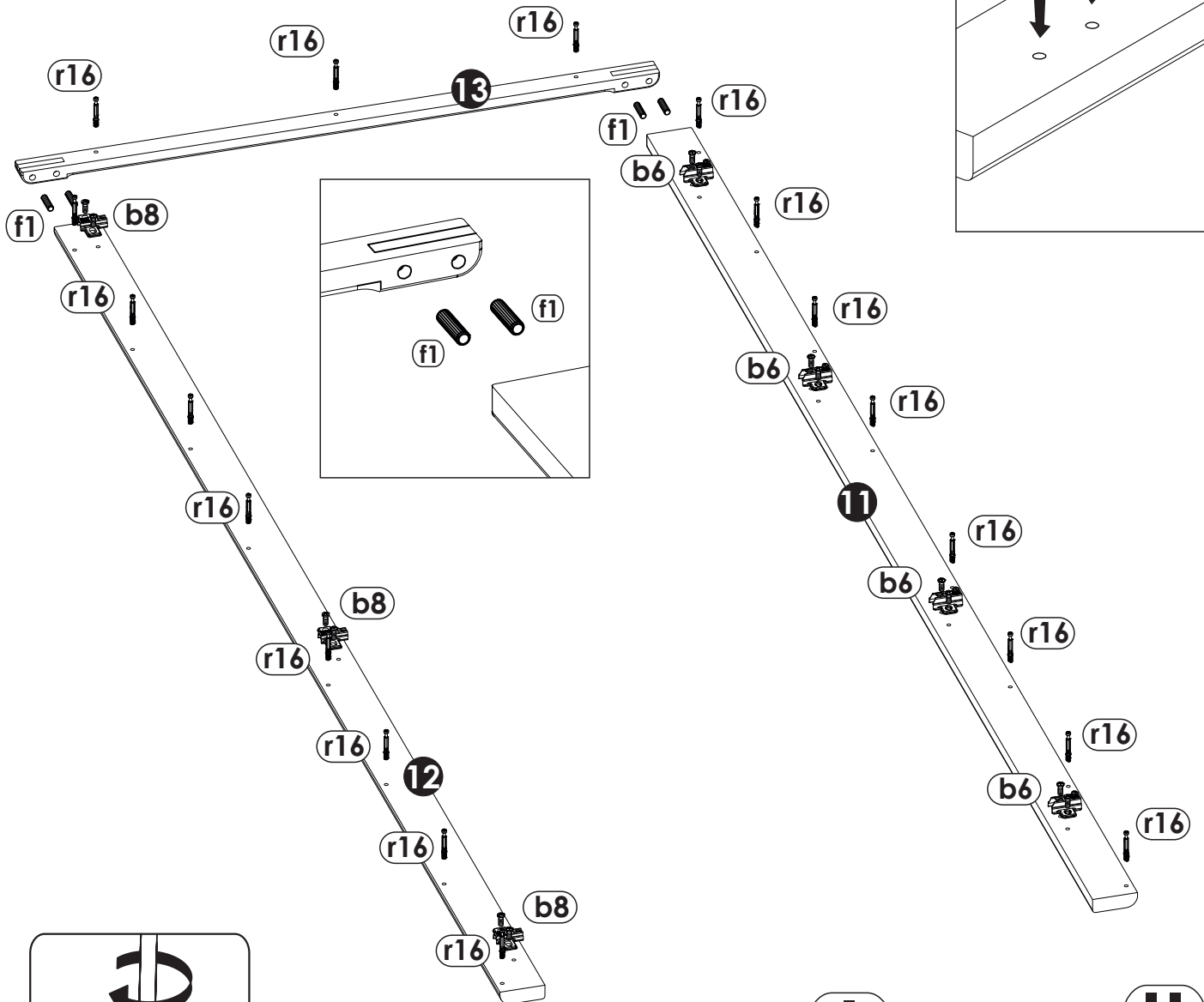
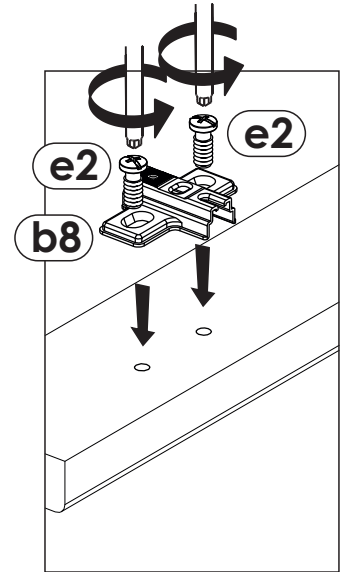
<p><b>Z3</b></p>  <p>x3</p>	<p><b>Y10</b></p>  <p>x1</p>
--	---



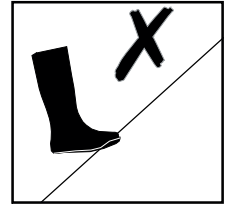




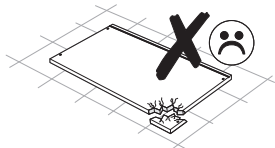
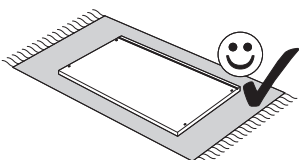
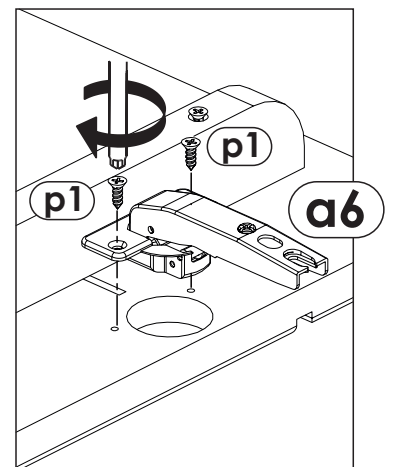
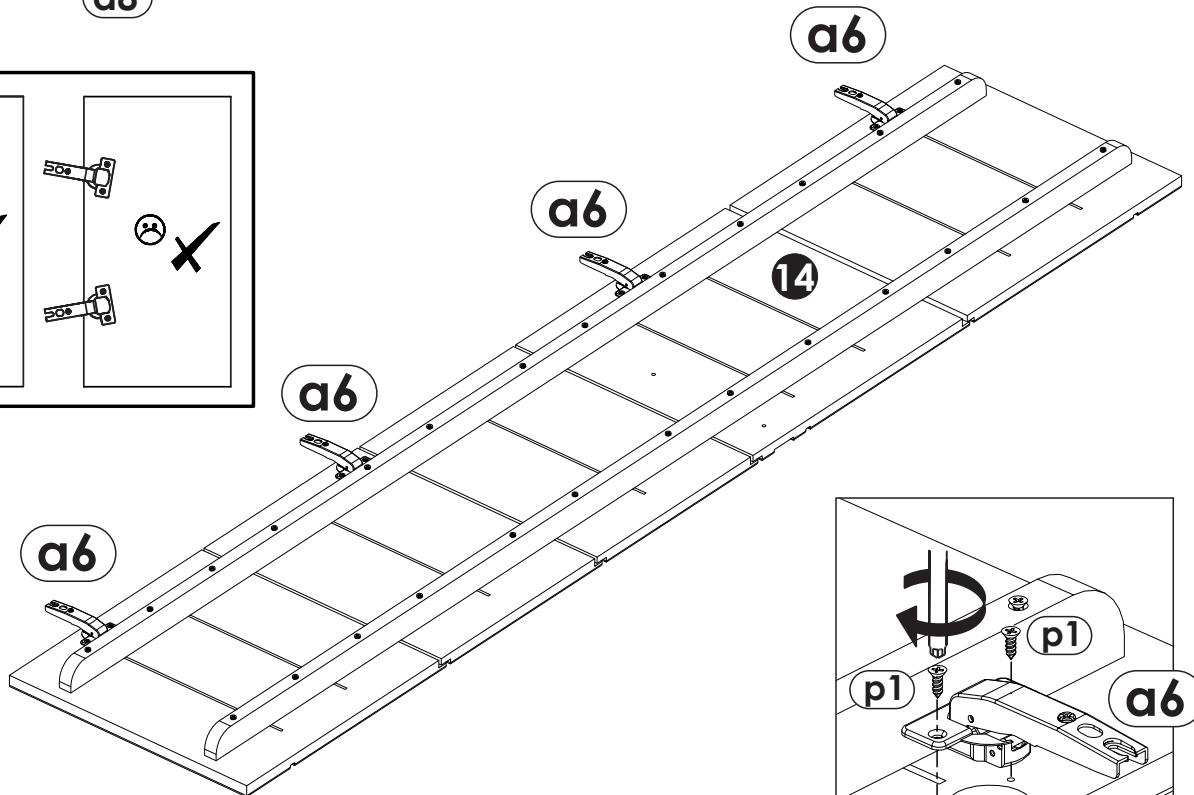
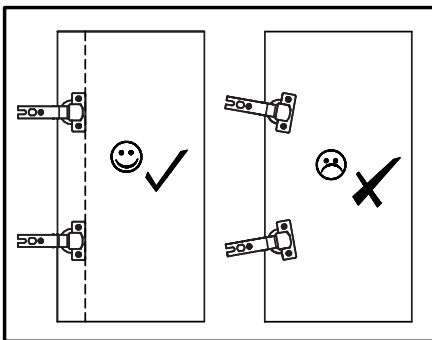
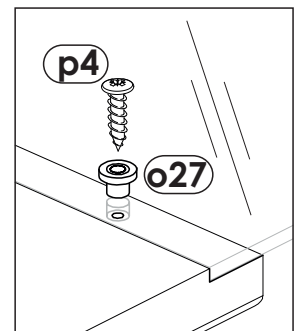
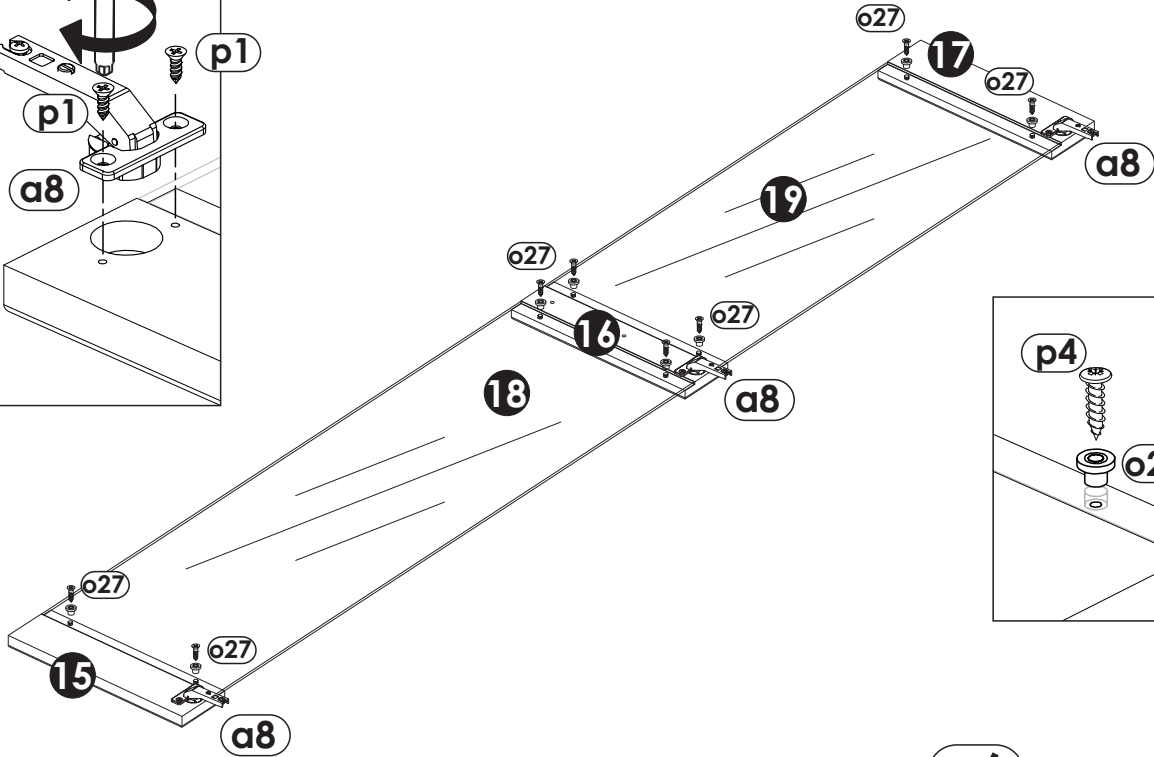
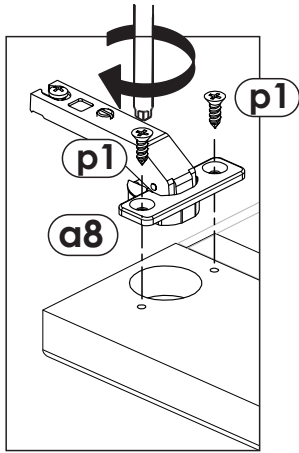
<b>3</b>	<b>e2</b>  φ6.3x13 mm x14	<b>b8</b>  x3	<b>b6</b>  x4	<b>r16</b>  x19	<b>f1</b>  x4
----------	---	--	--	--	--

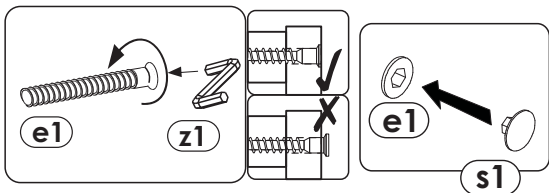
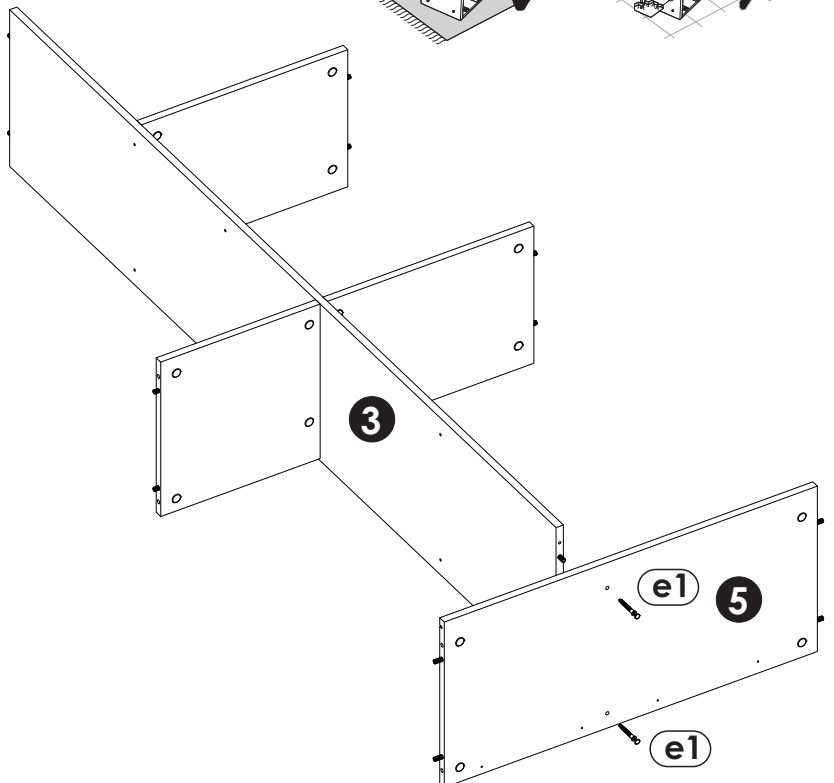
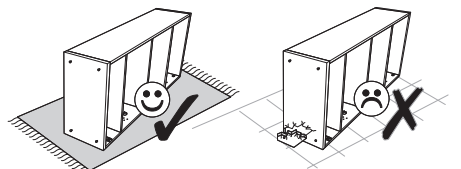
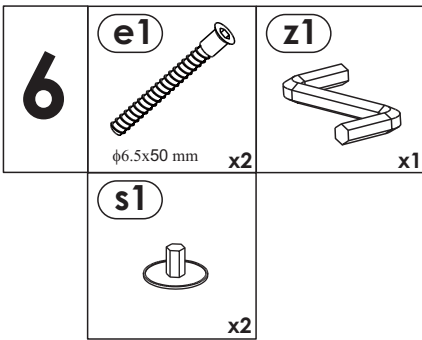
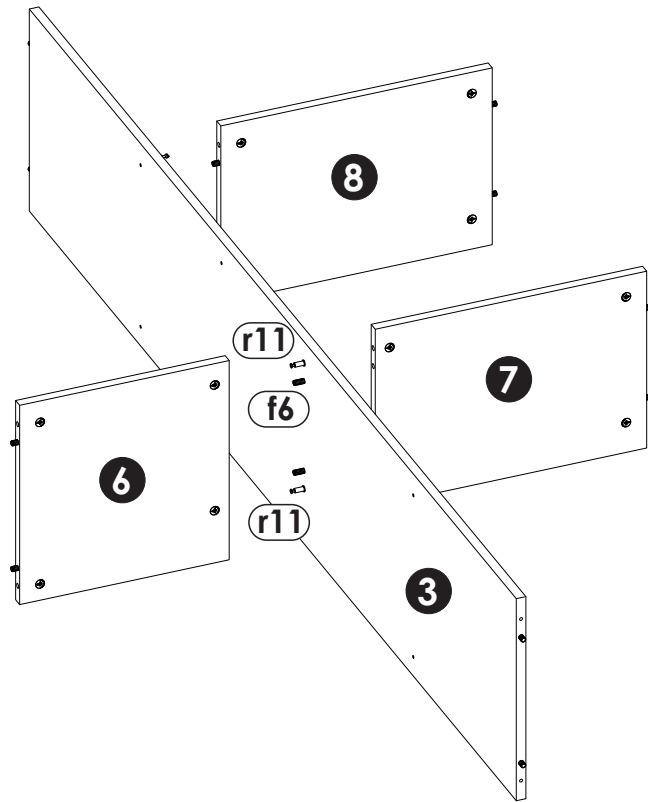
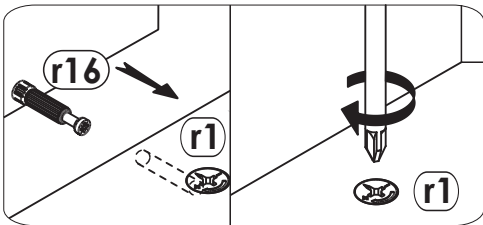
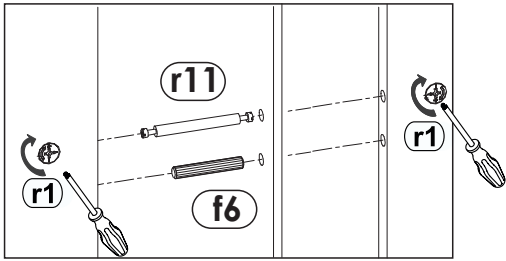
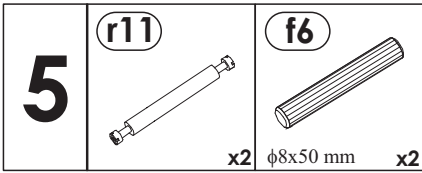
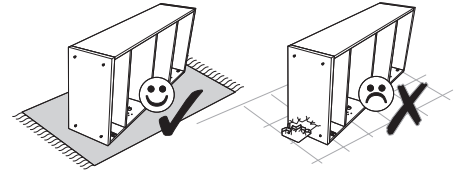


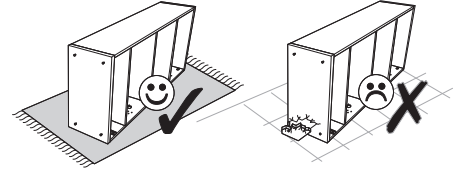




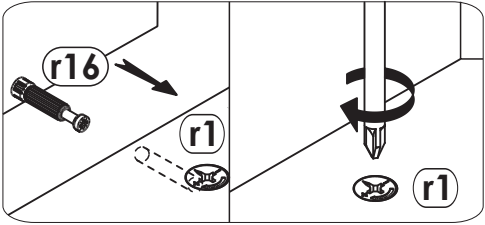
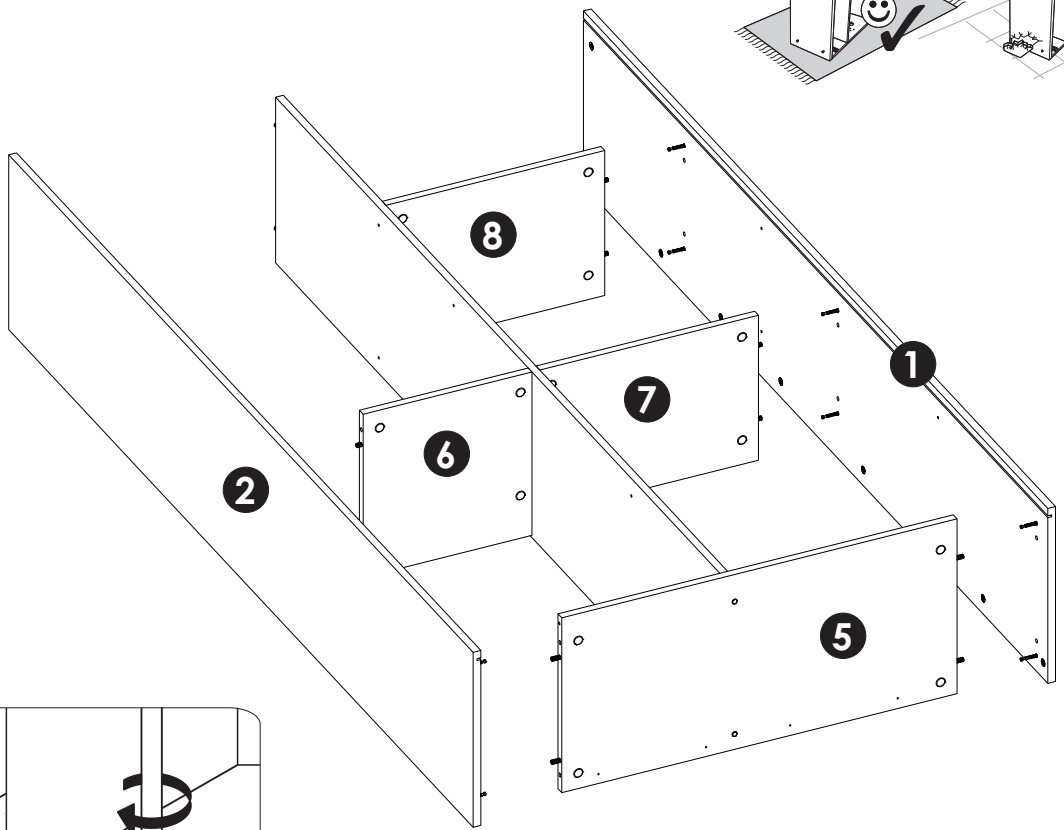
<b>4</b>	<b>a8</b>  x3	<b>p1</b>  φ3.5x13 mm x12	<b>a6</b>  x3	<b>p4</b>  φ3.5x16 mm x8	<b>o27</b>  x8
----------	---------------------	------------------------------------	---------------------	-----------------------------------	----------------------



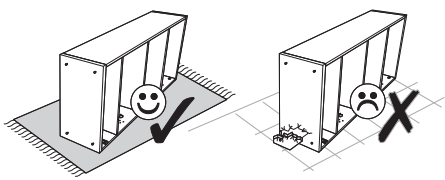
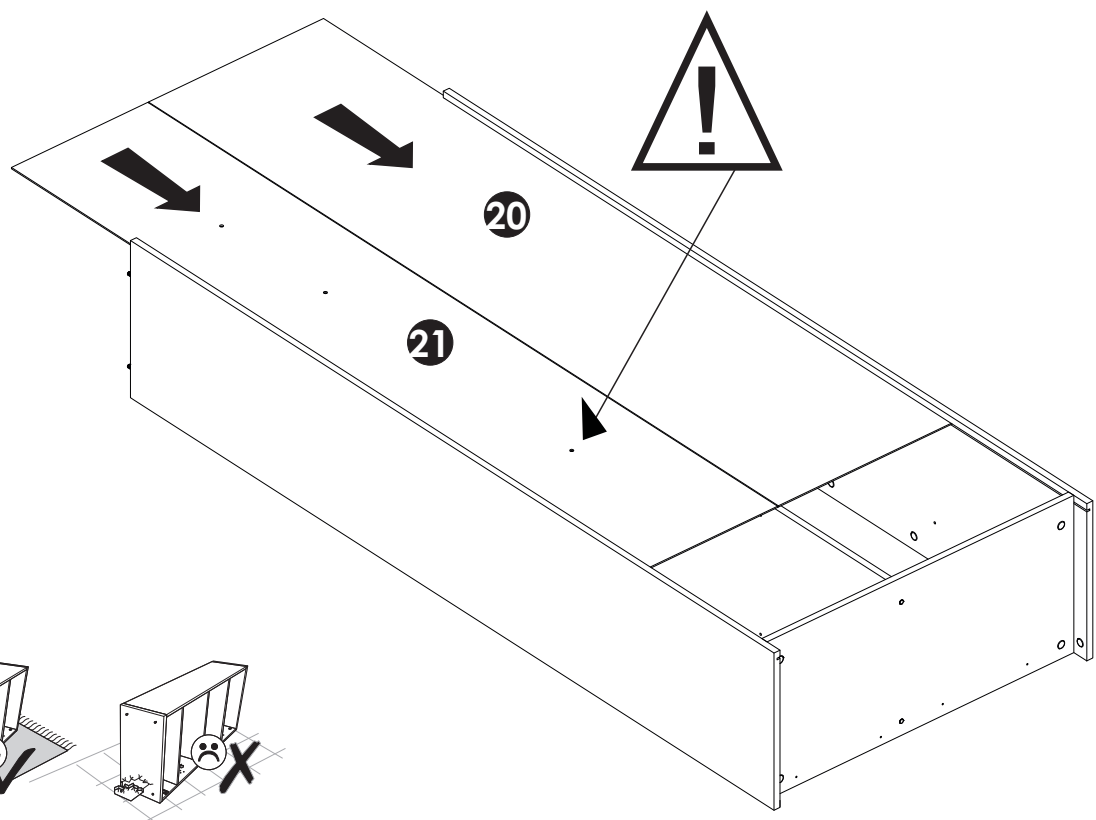


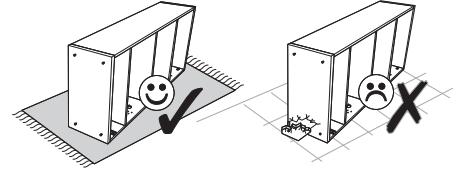


7

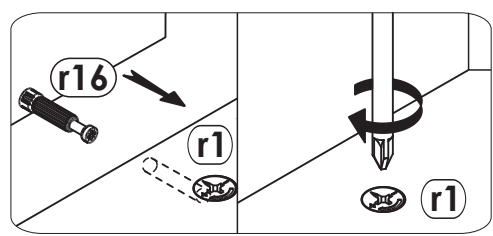
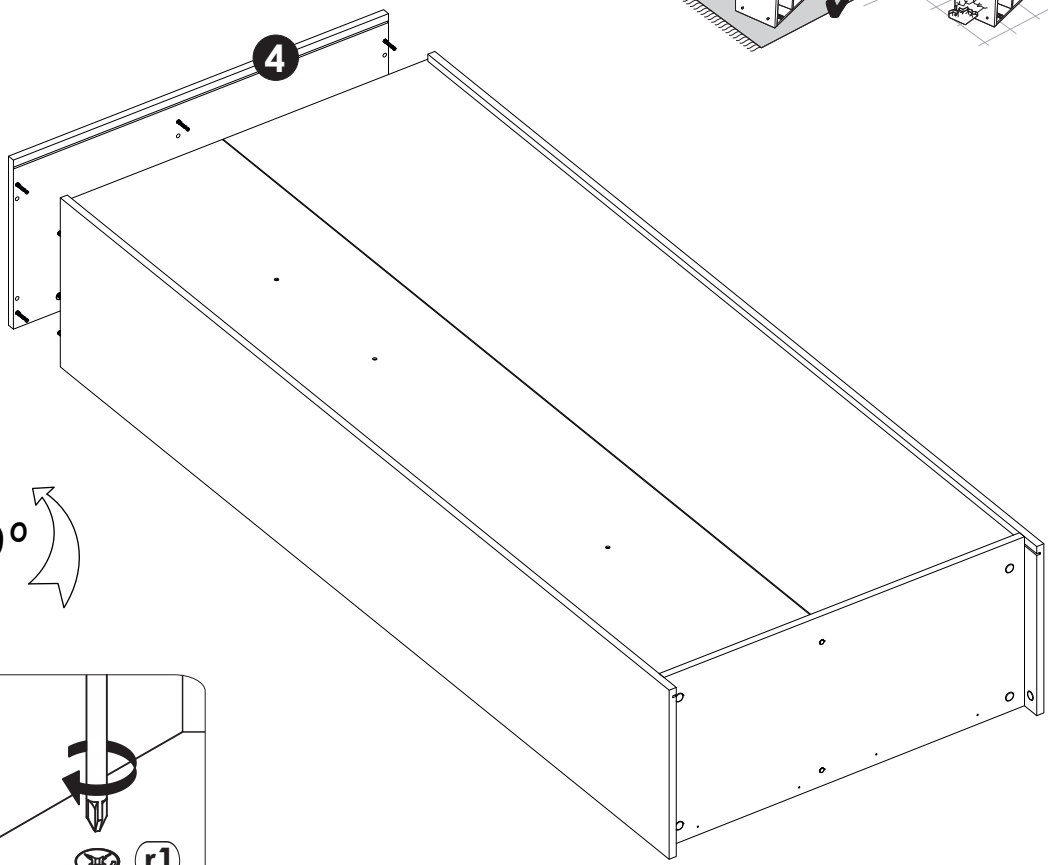


8

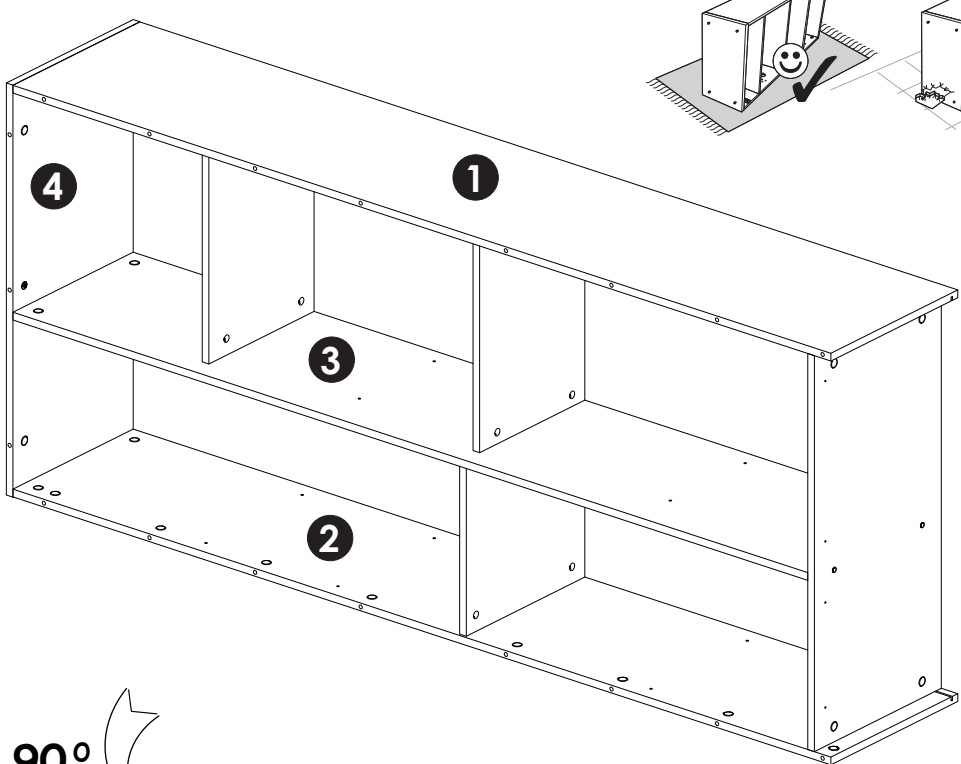
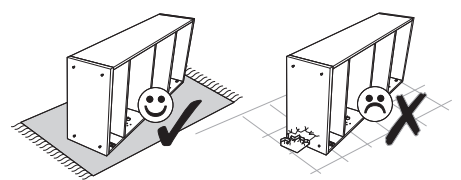




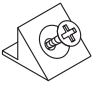

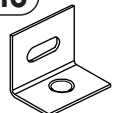
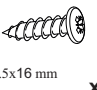
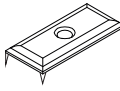
9

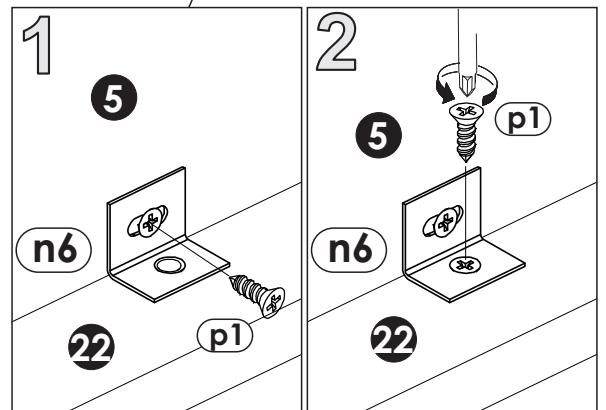
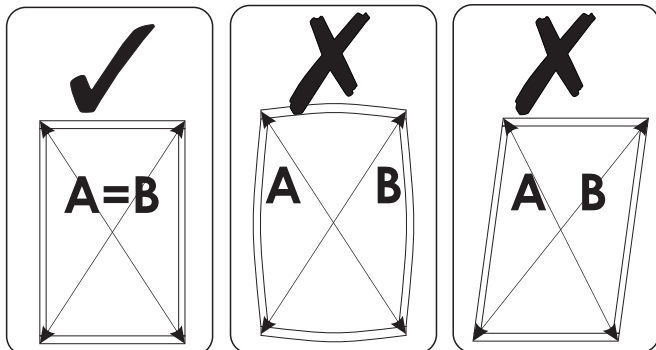
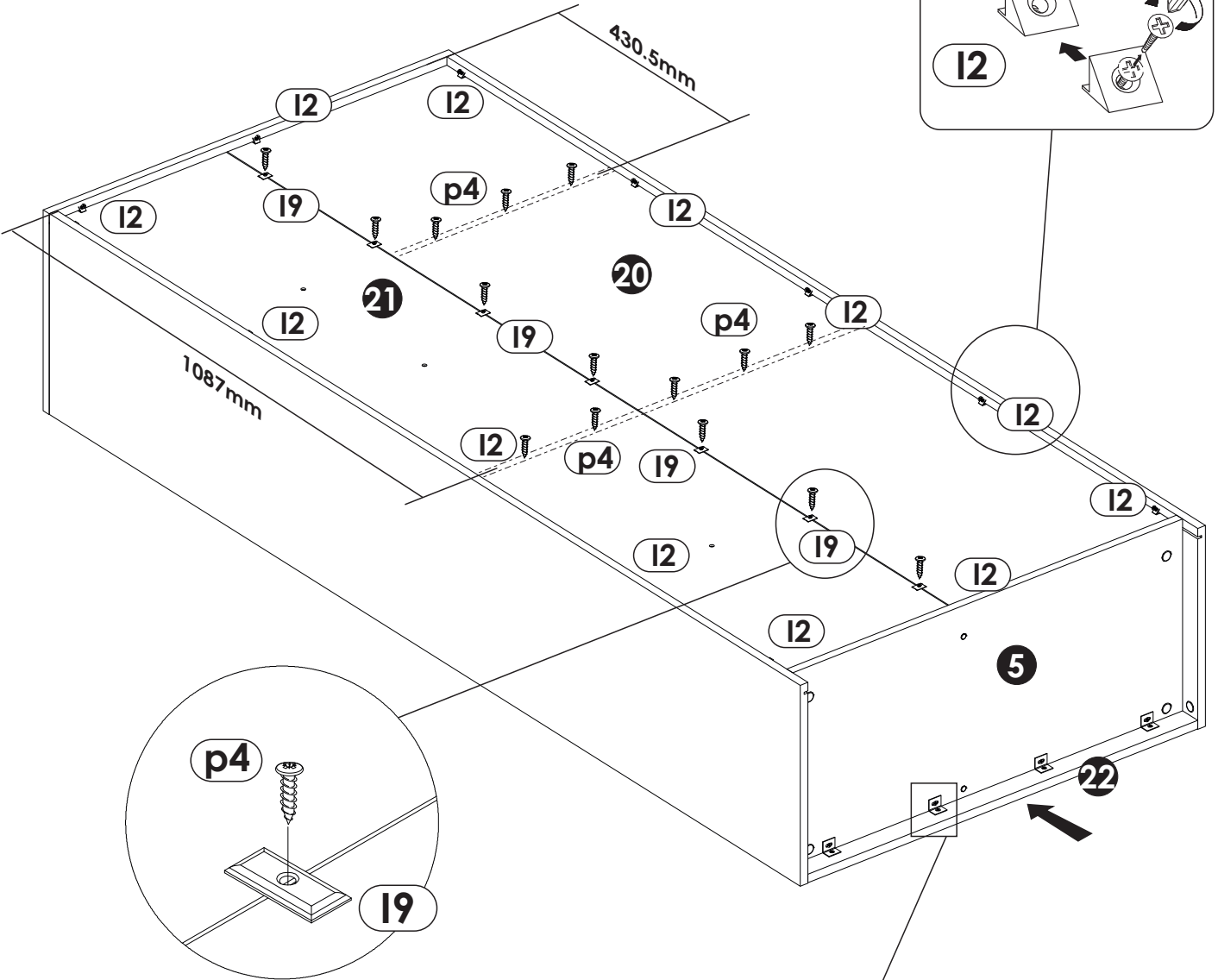
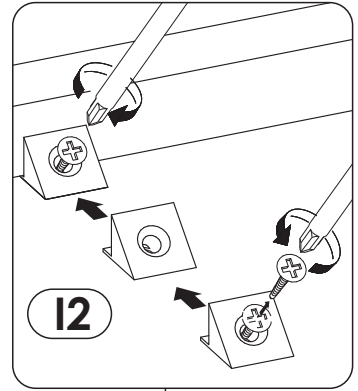
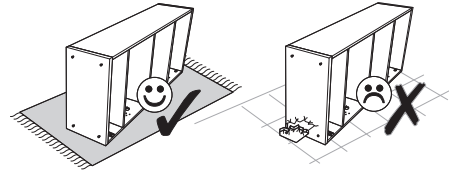



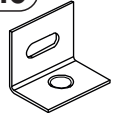
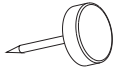
10

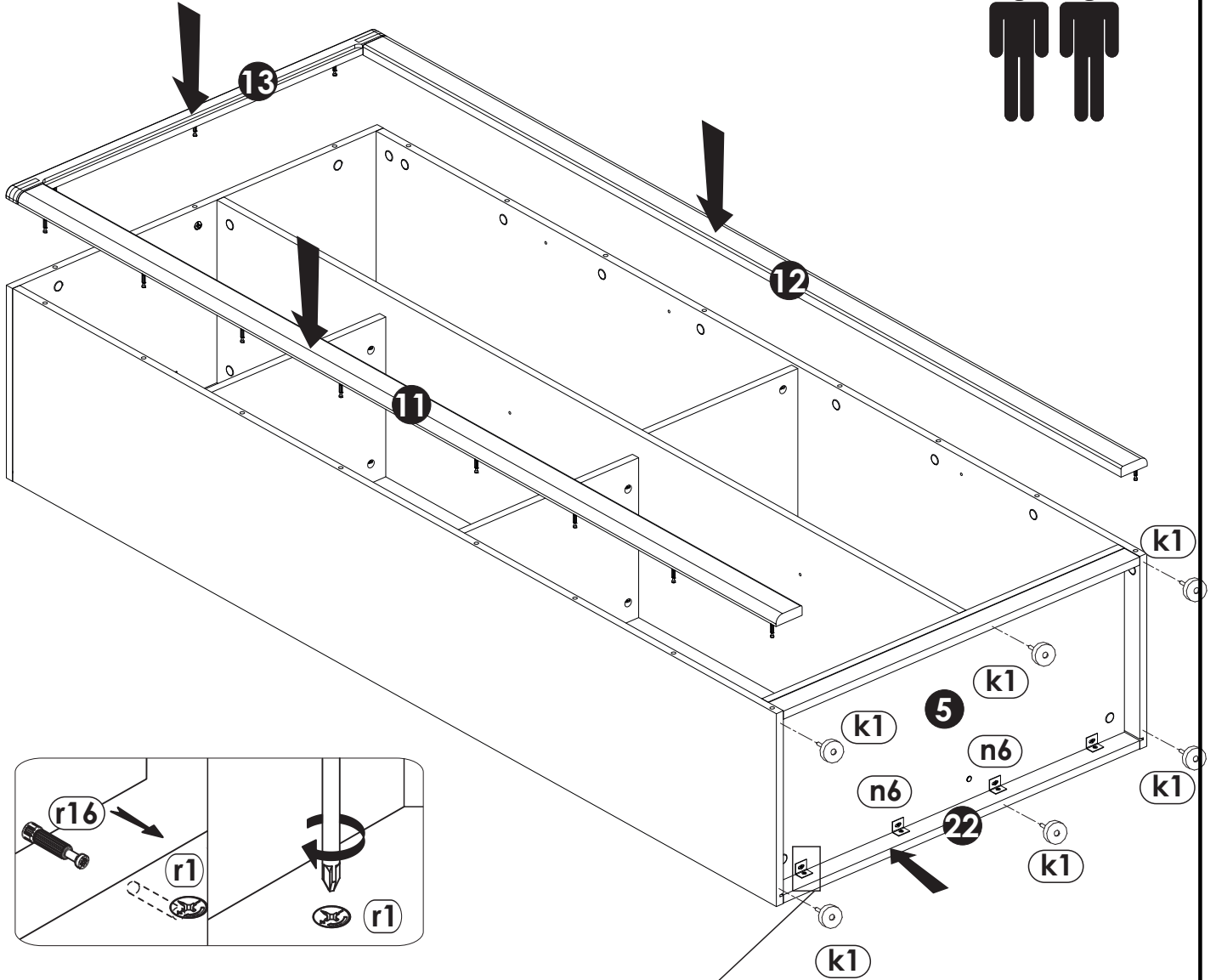
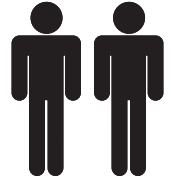
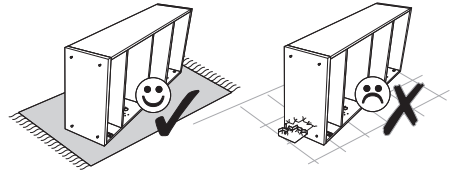


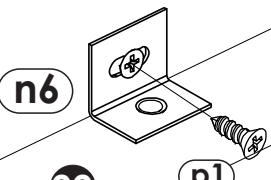
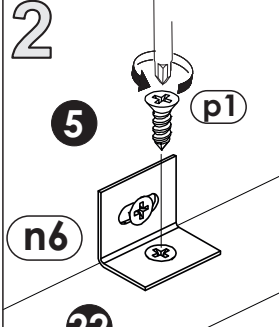
11

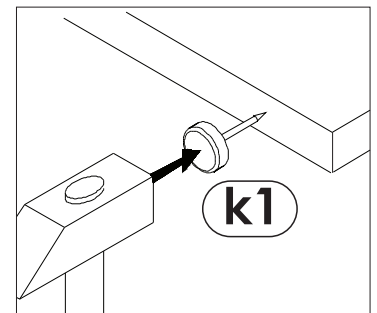
<p><b>I2</b></p>  <p>x14</p>	<p><b>p1</b></p>  <p>φ3.5x13 mm</p> <p>x8</p>	<p><b>n6</b></p>  <p>x4</p>
<p><b>p4</b></p>  <p>φ3.5x16 mm</p> <p>x15</p>	<p><b>I9</b></p>  <p>x7</p>	



<b>12</b>	<b>p1</b>	<b>n6</b>	<b>k1</b>
	 φ3.5x13 mm x8	 x4	 x6

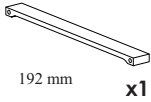


<b>1</b>	<b>2</b>
	
<b>5</b> <b>n6</b> <b>22</b> <b>p1</b>	<b>5</b> <b>n6</b> <b>22</b> <b>p1</b>

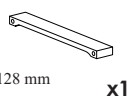


13

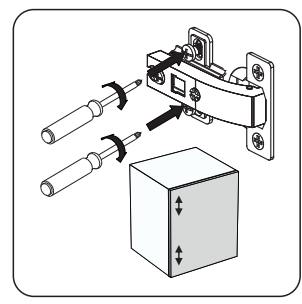
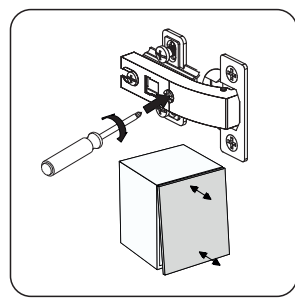
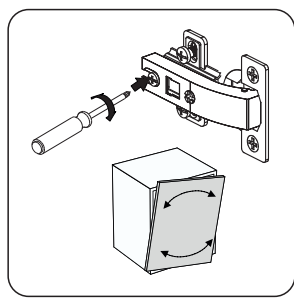
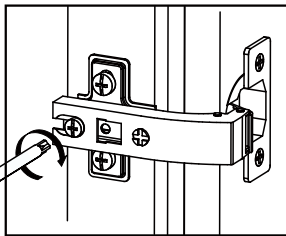
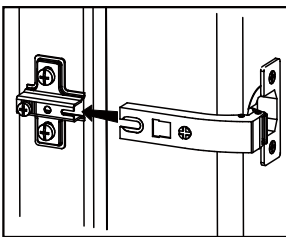
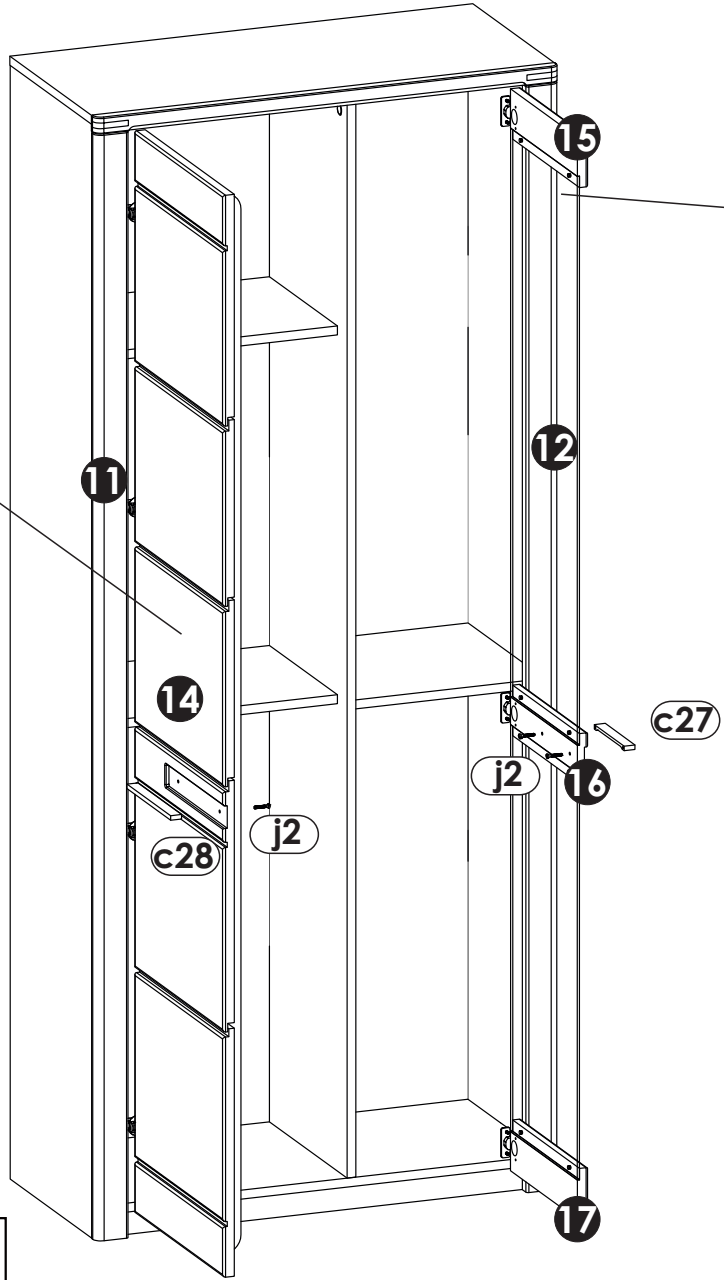
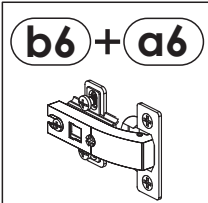
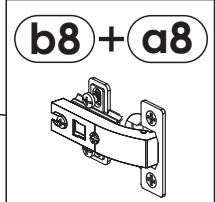
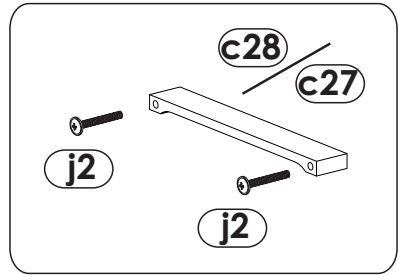
c28





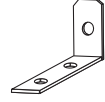

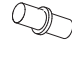

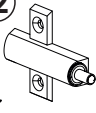
c27



j2



14

<b>o21</b>  x4	<b>t17</b>  φ8x50 mm x1	<b>n14</b>  x1	<b>p1</b>  φ3.5x13 mm x2	<b>d1</b>  φ5x17 mm x20	<b>s2</b>  x41	<b>n22</b>  x3
---	---	---	--	---	---	---

